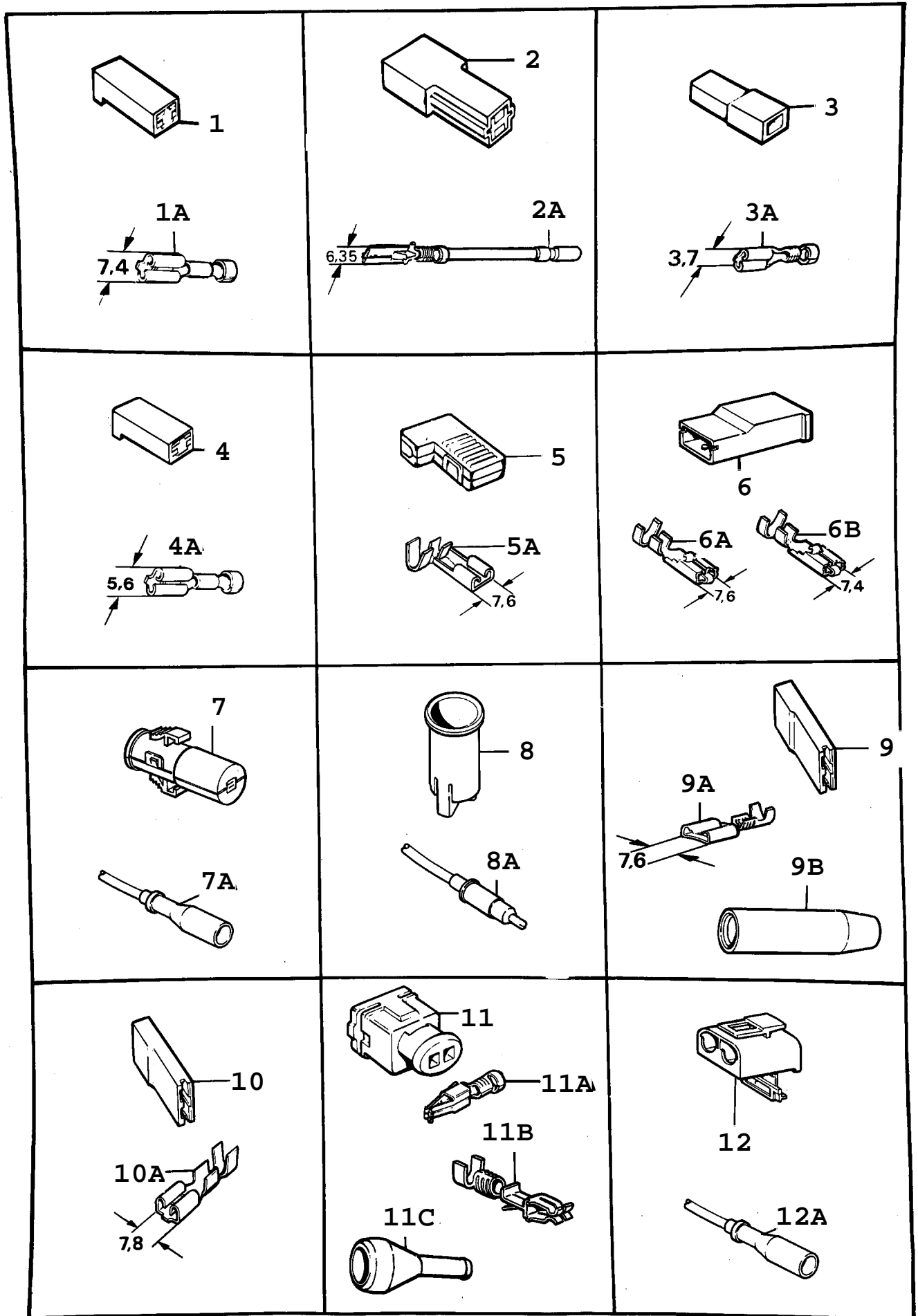


<p>1</p> <p>1A</p> <p>6,35</p>	<p>2</p> <p>2A</p> <p>6,35</p>	<p>3</p> <p>3A</p> <p>3,7</p>
<p>4</p> <p>4A</p> <p>5,6</p>	<p>5</p> <p>5A</p> <p>7,6</p>	<p>6</p> <p>6A</p> <p>6B</p> <p>7,6</p> <p>7,4</p>
<p>7</p> <p>7A</p> <p>7,4</p>	<p>8</p> <p>8A</p> <p>7,8</p>	<p>9</p> <p>9A</p> <p>3,7</p>
<p>10</p> <p>10A</p> <p>3,5</p>	<p>11</p> <p>11A</p> <p>3,5</p>	<p>12</p> <p>12A</p> <p>12B</p>

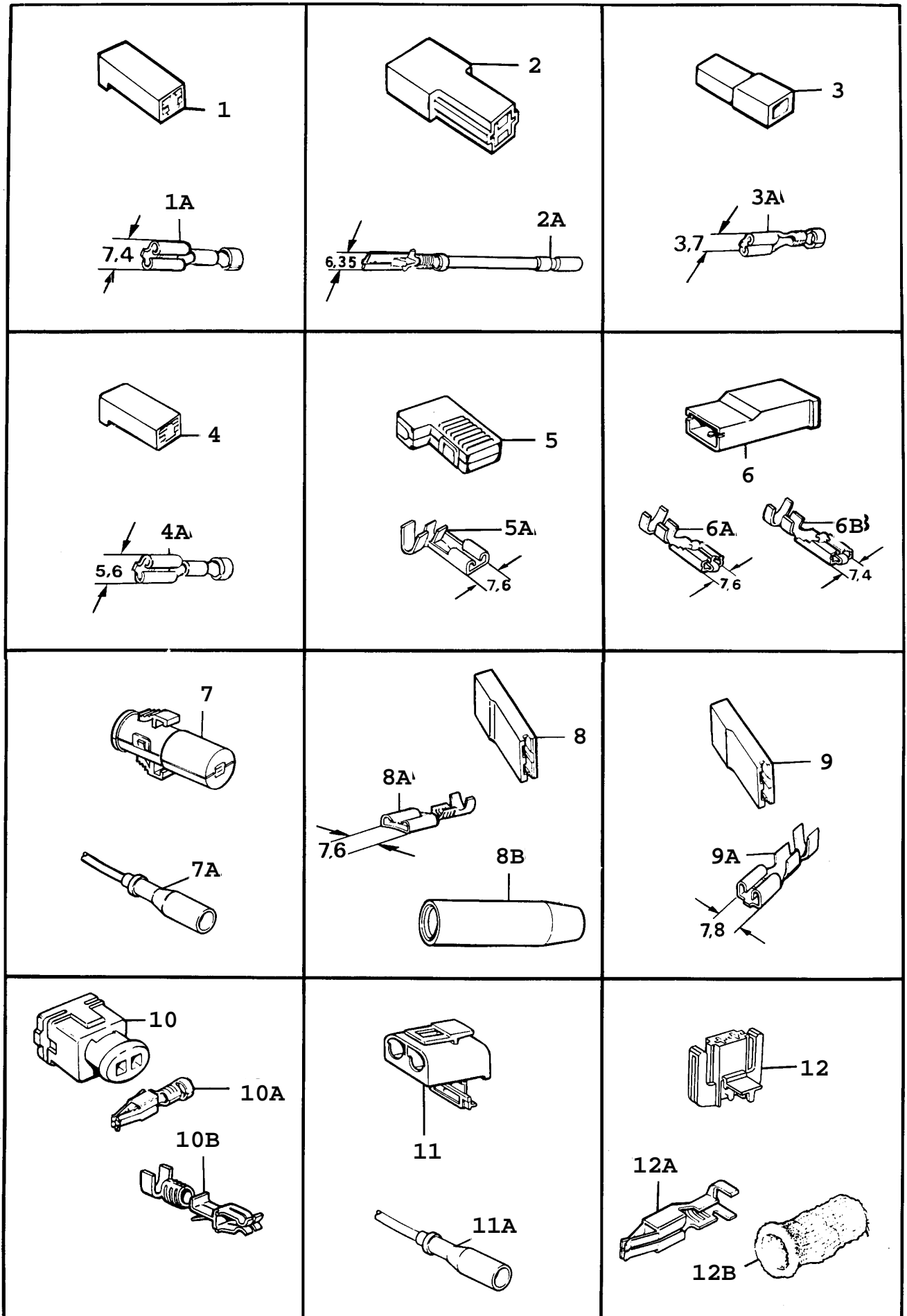
Rep.	N° de pièce	Article	Usage	Qté
1	71 55 112	Boîtier contact 1-poles, douille	IGNITION PULS	X
1A	85 22 542	Cosse	AREA, 1, 0-2, 6 MM2	X
2	71 55 120	Boîtier contact 1-poles, broche	JOINT PIECE, EL-MIRROR RADIO, ELECTRIC CENTRAL	X
2A	85 22 542	Cosse	AREA, 1, 0-2, 6 MM2	X
3	85 30 115	Boîtier contact 1-poles, broche	LOUDSPEAKER	X
3A	85 30 107	Cosse	AREA, 0, 5-1, 0 MM2	X
4	85 33 184	Boîtier contact 1-poles, broche	LOUDSPEAKER, JOINT PIECE PRESSURE SENSOR APC	X
4B	85 33 028	Cosse	AREA, 0, 5-1, 5 MM2, NLS-USE 8582439	X
5	85 21 692	Boîtier contact 1-poles, douille	LIGHT INSTEP, IGNITION COIL, SWITCH BACK- UP LIGHT, LIGHT ASH TRAY JOINT PIECE	X
5A	85 21 676	Cosse	AREA, 0, 5-1, 5 MM2, NLS-USE 8522526	X
5A	85 22 526	Cosse	AREA, 0, 5-1, 5 MM2 (8582421)	X
5A	85 21 684	Cosse	AREA, 1, 0-2, 5 MM2, NLS-USE 8522526	X
6	85 41 229	Douille d'isolation 1-poles, broche	LIGHT INSTEP, SAFETY BELT WARNING, SWITCH SPOTLIGHT, JOINT PIECE	X
6A	85 41 203	Cosse	AREA, 0, 5-1, 0 MM2, NLS-USE 8560476	X
6B	85 41 211	Cosse	AREA, 2, 5-4, 0 MM2	X
7	71 55 096	Boîte connexion 1-poles, douille	RADIO	X
7A	71 55 153	Cosse	AREA, 0, 8-2, 1 MM2, NLS-USE 8522534	X
8	85 16 916	Isolant 1-poles, douille	AC VALVE AIR SLIDE STARTER, AC THROTTLE CONTACT, JOINT PIECE SIGNAL, APC PRESSURE SENSOR, PRESSURE SWITCH BRAKE CONTACT, SIGNAL HAND BRAKE, THERMO CONTACT	X
8A	85 14 036	Cosse	AREA, 0, 3-0, 8 MM2	X
8A	85 14 028	Cosse	AREA, 0, 3-0, 8 MM2, NLS-USE 7155716	X
8A	71 55 716	Cosse	AREA, 0, 5-1, 5 MM2	X
8A	71 55 039	Cosse	AREA, 1, 0-2, 5 MM2, NLS	X
9	83 78 630	Boîtier contact 2-poles, douille	PEDAL CONTACT, SUCTION FAN INDOOR TEMP SENSOR ACC	X
9A	85 09 846	Cosse	AREA, 0, 5-1, 4 MM2, NLS-USE 8522575	X
10	85 61 623	Boîtier contact 2-poles, broches	JOINT PIECE	X
10A	85 44 314	Cosse	AREA, 0, 5-2, 0 MM2, NLS-USE 8582603	X
11	85 61 631	Boîte connexion 2-poles, douille	JOINT PIECE	X
11A	85 44 298	Cosse	AREA, 0, 5-2, 0 MM2, NLS-USE 8582595	X

Rep.	N° de pièce	Article	Usage	Qté
12	85 93 899	Boîtier contact 2-poles, douille	AUXILIARY AIR VALVE INJECTION VALVE, KNOCK SENSOR	X
12A	85 21 593	Cosse	AREA, 0, 5-1, 5 MM2	X
12B	85 71 382	Protection		X



Rep.	N° de pièce	Article	Usage	Qté
1	71 55 112	Boîtier contact 1-poles, douille	IGNITION PULS, LIGHT GEAR INDICATOR, MAKE- UP MIRROR, HIGH MOUNTED STOP LIGHT	X
1A	79 71 708	Cosse	AREA, 0, 5-1, 5 MM2	X
1A	85 22 534	Cosse	AREA, 0, 8-2, 1 MM2	X
2	71 55 120	Boîtier contact 1-poles, broche	EL-MIRROR, EL-CENTRAL	X
2A	85 22 542	Cosse	AREA, 1, 0-2, 6 MM2	X
3	85 30 115	Boîtier contact 1-poles, broche	LOUDSPEAKER	X
3A	85 30 107	Cosse	AREA, 0, 5-1, 0 MM2	X
4	85 33 184	Boîtier contact 1-poles, broche	LOUDSPEAKER	X
4A	85 82 439	Cosse	AREA, 0, 5-1, 5 MM2	X
5	85 21 692	Boîtier contact 1-poles, douille	IGNITION COIL, SWITCH BRAKE LIGHT, PRESSURE SWITCH, LIGHT ASH TRAY LIGHT INSTEP, REAR DEMIST	X
5A	85 22 526	Cosse	AREA, 0, 5-1, 5 MM2	X
5A	85 21 684	Cosse	AREA, 1, 0-2, 5 MM2, NLS-USE 8522526	X
6	85 41 229	Douille d'isolation 1-poles, broche	SPOTLIGHT, SAFETY BELT WARNING, SWITCH SPOT- LIGHT, LIGHT INSTEP SPEED CONTROL, LIGHT NUMBER PLATE	X
6A	85 41 203	Cosse	AREA, 0, 5-1, 5 MM2, NLS-USE 8560476	X
6B	85 60 476	Cosse	AREA, 0, 9-2, 0 MM2	X
7	95 03 418	Boîte connexion 1-poles, douille	COMPRESSOR, JOINT PIECE	X
7A	85 47 796	Bloc connexion		X
8	95 03 426	Boîte connexion 1-poles, broche	IGNITION SYSTEM	X
8A	85 47 770	Bloc connexion		X
9	85 16 916	Isolant 1-poles, douille	THERMO CONTACT, LIGHT ASH TRAY, SWITCH HORN, HORN, LIGHT LUGGAGE COM- PARTMENT, THEFT ALARM SWITCH HAND BRAKE	X
9A	71 55 716	Cosse	AREA, 0, 5-1, 5 MM2	X
9B	95 69 997	Protection		X
10	83 78 630	Boîtier contact 2-poles, douille	PEDAL CONTACT	X
10A	85 22 575	Câblage	AREA, 0, 5-1, 4 MM2	X
11	85 93 899	Boîtier contact 2-poles, douille	AUXILIARY AIR VALVE INJECTION VALVE, KNOCK SENSOR, FUEL SYSTEM PREHEATING LAMBDA, MAIN VALVE, VENTILATION, DUMP VALVE, COLD START VALVE BY-PASS	X
11A	85 21 593	Cosse	AREA, 0, 5-1, 5 MM2	X

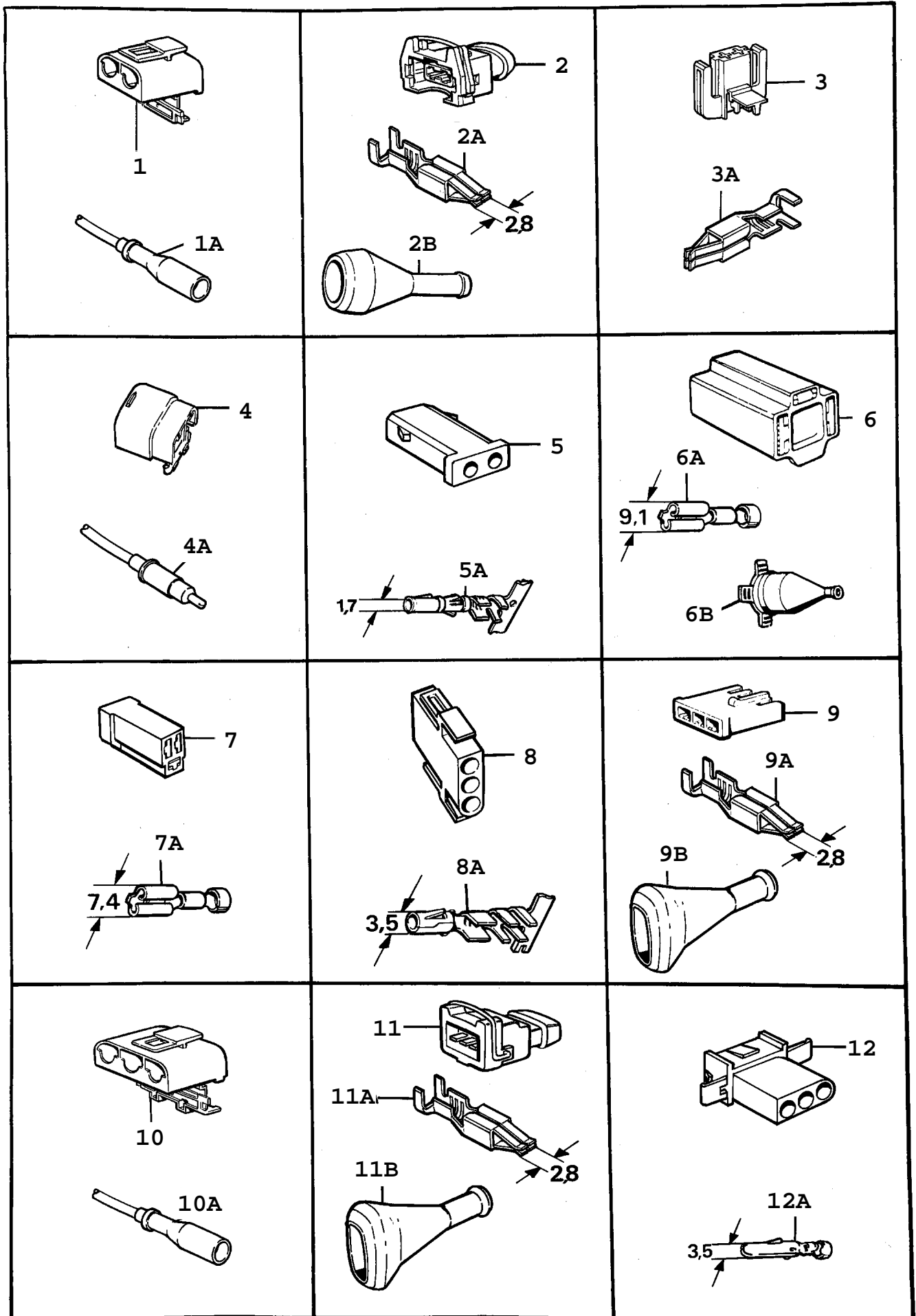
Rep.	N° de pièce	Article	Usage	Qté
11B	91 20 668	Cosse	AREA, 0, 75-1, 5 MM2, NLS-USE 30520560	X
11C	85 21 619	Protection		X
12	95 03 319	Boîtier contact 2-poles, douille	EL. WINDOW REGULATOR CENTRAL LOCK, STD FAN, WASHER PUMP, LEVEL SWITCH, WASHER MOTOR FAN MOTOR, FAN AC JOINT PIECE, OUTER TEMP LEVEL SWITCH, MICRO SWITCH, FAN, FOG LIGHT EXTRA, ABS, SWITCH, HORN SWITCH BRAKE LIGHT, BY- PASS, APC DISSANGAGEMENT THEFT ALARM, JOINT PIECE TRUNK LID	X
12A	85 47 796	Bloc connexion		X



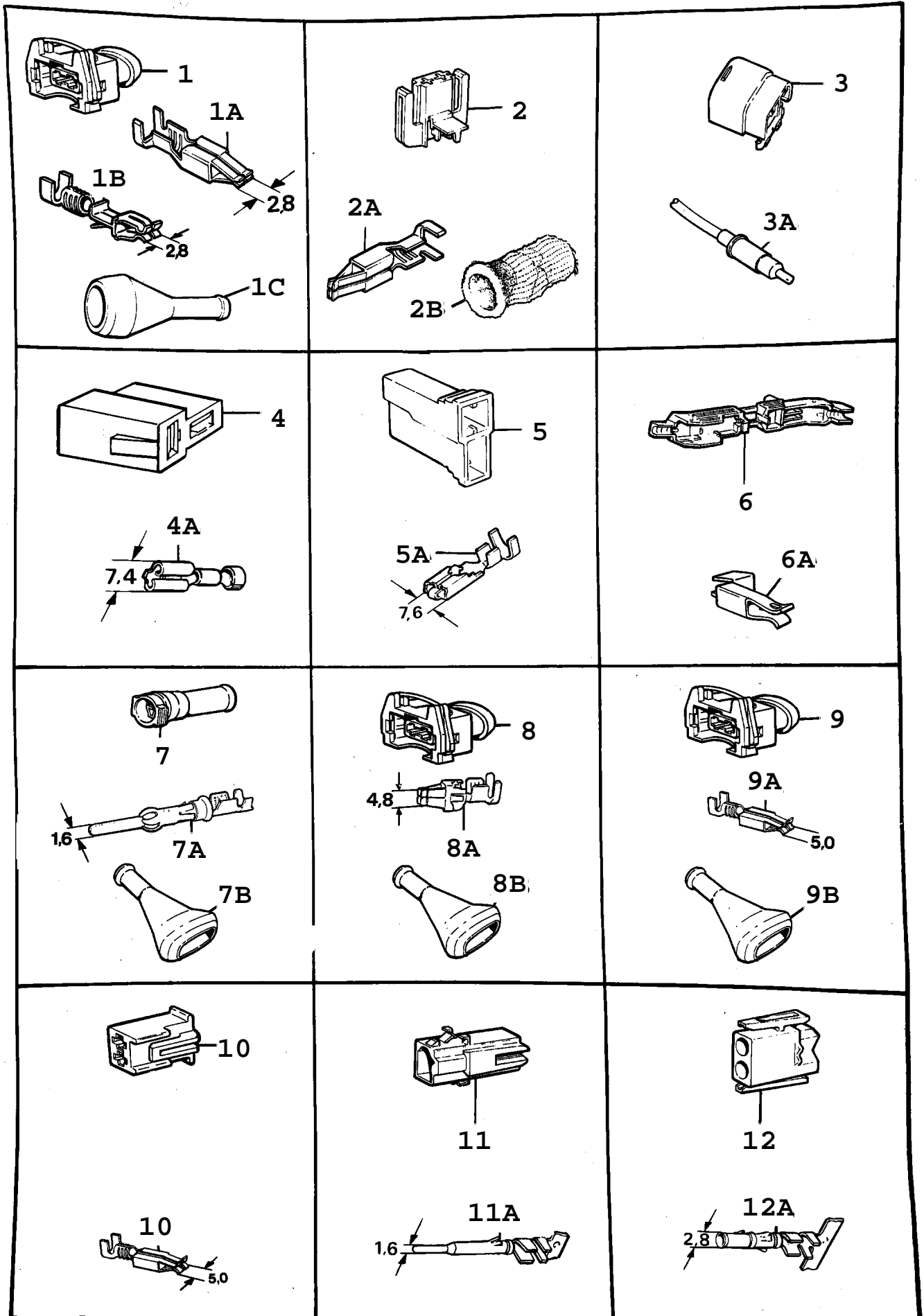
F6416 CAC94

Rep.	N° de pièce	Article	Usage	Qté
1	71 55 112	Boîtier contact 1-poles, douille	IGNITION PULS, LIGHT GEAR INDICATOR, HIGH MOUNTED STOP LIGHT, MAKE UP MIRROR AREA, 0, 5-1, 5 MM2	X
1A	79 71 708	Cosse		X
2	71 55 120	Boîtier contact 1-poles, broche	EL-MIRROR, EL-CENTRAL	X
2A	85 22 542	Cosse	AREA, 1, 0-2, 6 MM2	X
3	85 30 115	Boîtier contact 1-poles, broche	LOUDSPEAKER	X
3A	85 30 107	Cosse	AREA, 0, 5-1, 0 MM2	X
4	85 33 184	Boîtier contact 1-poles, broche	LOUDSPEAKER	X
4A	85 82 439	Cosse	AREA, 0, 5-1, 5 MM2	X
5	85 21 692	Boîtier contact 1-poles, douille	REAR DEMIST, GROUND	X
5A	85 21 684	Cosse	AREA, 1, 0-2, 5 MM2, NLS-USE 8522526	X
6	85 41 229	Douille d'isolation 1-poles, broche	LIGHT INSTEP, LIGHT NUM- BER X PLATE, GLOVE COMP- ARTMENT LIGHT, READING LAMP, SEAT BELT WARNING SWITCH SPOT LIGHT	X
6A	85 41 203	Cosse	AREA, 0, 5-1, 5 MM2, NLS-USE 8560476	X
6B	85 60 476	Cosse	AREA, 0, 9-2, 0 MM2	X
7	95 03 418	Boîte connexion 1-poles, douille	COMPRESSOR	X
7A	85 47 796	Bloc connexion		X
8	85 16 916	Isolant 1-poles, douille	THERMO CONTACT, LIGHT ASH TRAY, HORN, LIGHT LUGGAGE COMPARTMENT SWITCH HAND BRAKE JOINT, FOG LIGHT, JOINT PIECE REAR DOOR, ANTI THEFT ALARM	X
8A	85 14 036	Cosse	AREA, 1, 5-2, 5 MM2	X
8B	95 69 997	Protection		X
9	83 78 630	Boîtier contact 2-poles, douille	PEDAL CONTACT SPEED CONTROL, JOINT PIECE BRAKE, JOINT PIECE CLUTCH	X
9A	85 22 575	Câblage	AREA, 0, 5-1, 4 MM2	X
10	85 93 899	Boîtier contact 2-poles, douille	AUXILIARY AIR VALVE FUEL SYSTEM, VENTILATION	X
10A	85 21 593	Cosse	AREA, 0, 5-1, 5 MM2	X
10B	91 20 668	Cosse	AREA, 0, 75-1, 5 MM2, NLS-USE 30520560	X
11	95 03 319	Boîtier contact 2-poles, douille	EL. WINDOW REGULATOR STD FAN, LEVEL GUARD RADIATOR, LEVEL SWITCH WASHER MOTOR, FAN AC FOG LIGHT, JOINT PIECE OUTER TEMP, JOINT PIECE THERMO CONTACT, MICRO SWITCH, FAN, FOG LIGHT EXTRA, ABS, BY-PASS	X

Rep.	N° de pièce	Article	Usage	Qté
			THEFT ALARM, JOINT PIECE TRUNK LID, DOOR FAN, DAY DRIVING LIGHT	
11A	85 47 796	Bloc connexion		X
12	91 24 157	Boîtier contact 2-poles, douille	LIGHT MIRROR, ACC, LIGHT CONTROLS, FAN AC, JOINT TRUNK LID, CENTRAL LOCK TANK HATCH, DOME LAMP BELT TENSIONER	X
12A	91 20 783	Cosse	AREA, 1, 0-2, 5 MM2	X
12A	91 20 791	Cosse	AREA, 2, 5-4, 0 MM2	X
12B	95 68 775	Isolant	NLS	X



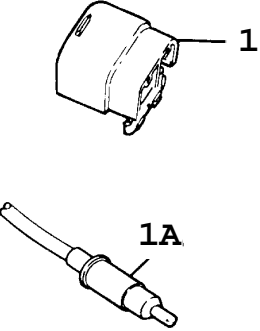
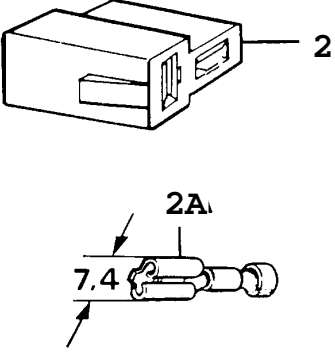
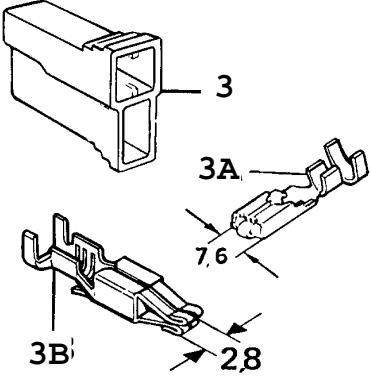
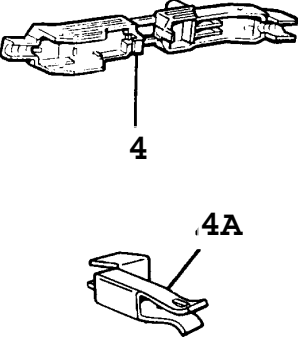
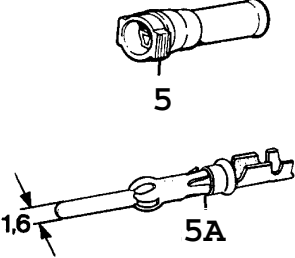
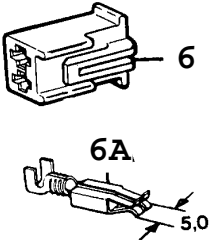
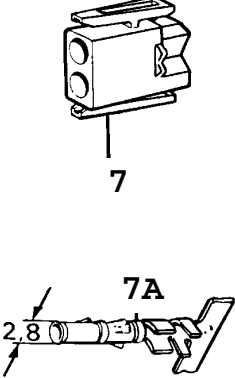
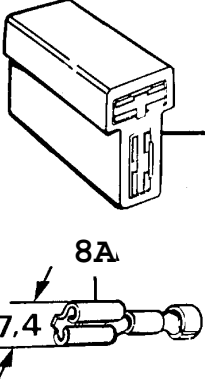
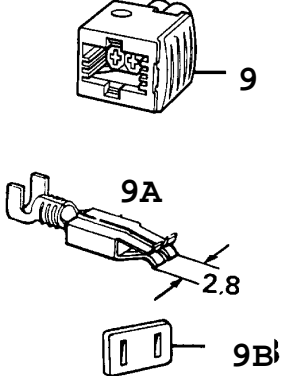
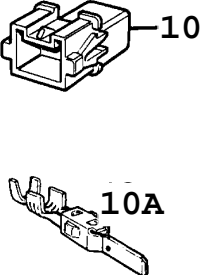
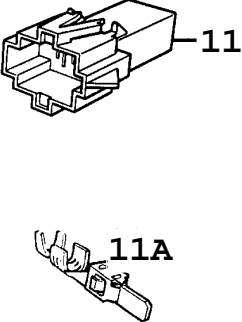
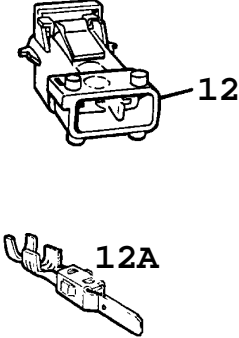
Rep.	N° de pièce	Article	Usage	Qté
1	95 03 319	Boîtier contact 2-poles, douille	EL. WINDOW REGULATOR CENTRAL LOCK, DOOR INDICATOR, STD FAN SOLENOID VALVE APC WASHER PUMP, LEVEL SWITCH, WASHER MOTOR FAN MOTOR, VACUUM SWITCH SWITCH, FAN AC, AC	X
1A	78 74 498	Connexion		X
2	85 93 915	Boîtier contact 2-poles, douille	THERMO SWITCH	X
2A	85 21 593	Cosse	AREA, 0, 5-1, 5 MM2	X
2B	85 71 382	Protection		X
3	91 24 157	Boîtier contact 2-poles, douille	LIGHT MIRROR, JOINT PIECE, HEAD SWITCH FAN, SUN SENSOR, INNER TEMP ACC	X
3A	91 20 775	Cosse	AREA, 0, 5-1, 0 MM2	X
3A	91 20 783	Cosse	AREA, 1, 0-2, 5 MM2	X
4	95 01 685	Boîtier contact 2-poles, broches	JOINT PIECE	X
4A	78 74 506	Connexion		X
5	95 06 643	Boîtier contact 2-poles, douille	MIXING TEMP ACC	X
5A	85 87 552	Cosse	AREA 0, 5-1, 5 MM2	X
6	71 55 021	Boîtier contact 3-poles, douille	HEADLIGHT	X
6A	85 82 413	Cosse	AREA, 1, 3-3, 4 MM2	X
6B	85 52 721	Protège-câble		X
7	73 42 892	Boîte connexion 3-poles, douille	TEST CONNECTOR PIECE, TEST CONNECTOR	X
7A	79 71 708	Cosse	AREA, 0, 5-1, 5 MM2	X
8	85 64 916	Boîtier contact 3-poles, douille	JOINT PIECE	X
8A	85 44 298	Cosse	AREA, 0, 5-2, 0 MM2, NLS-USE 8582595	X
9	85 74 097	Boîtier contact 3-poles, broche	DISTRIBUTOR	X
9A	85 21 593	Cosse	AREA, 0, 5-1, 5 MM2	X
9B	85 74 105	Protection	NLS	X
10	95 03 277	Boîtier contact 3-poles, douille	CENTRAL LOCK, SPEED CONTROL, HEADLIGHT WIPERS, WIPER MOTOR	X
10A	78 74 498	Connexion		X
11	85 93 907	Boîtier contact 3-poles, douille	THROTTLE SWITCH	X
11A	85 21 593	Cosse	AREA, 0, 5-1, 5 MM2	X
11B	85 79 955	Protection		X
12	85 64 924	Boîtier contact 3-poles, broche	JOINT PIECE, NUMBER PLATE LIGHT	X
12A	85 44 314	Cosse	AREA 0, 5-2, 0 MM2, NLS-USE 8582603	X
12A	85 44 322	Cosse	AREA 2, 0-4, 0 MM2	X



F1142 CAC93

Rep.	N° de pièce	Article	Usage	Qté
1	85 93 915	Boîtier contact 2-poles, douille	THERMO SWITCH, TEMP SENSOR, TIMING VALVE	X
1A	85 21 593	Cosse	AREA, 0, 5-1, 5 MM2	X
1B	91 20 668	Cosse	AREA, 0, 75-1, 5 MM2, NLS-USE 30520560	X
1C	85 71 382	Protection		X
2	91 24 157	Boîtier contact 2-poles, douille	LIGHT MIRROR, ACC, MOTOR CENTRAL LOCK COVER FUEL FILLING, FAN AC, SPEED CONTROL, MOTOR ANTENNA LIGHT CONTROL, BELT TENSIONER	X
2A	91 20 775	Cosse	AREA, 0, 5-1, 0 MM2	X
2A	91 20 783	Cosse	AREA, 1, 0-2, 5 MM2	X
2A	91 20 791	Cosse	AREA, 2, 5-4, 0 MM2	X
2B	95 68 775	Isolant	NLS	X
3	95 01 685	Boîtier contact 2-poles, broches	JOINT PIECE, ENGINE COMPARTMENT LIGHT, JOINT PIECE MAIN CABLE HARNESS	X
3A	85 47 770	Bloc connexion		X
4	85 58 538	Boîtier contact 2-poles, douille	CIGARETTE LIGHTER ELECTRONIC UNIT BELT TENSIONER	X
4A	85 82 454	Cosse	AREA 0, 5-1, 5 MM2	X
4A	85 22 534	Cosse	AREA 0, 8-2, 1 MM2	X
5	85 74 949	Boîtier contact 2-poles, douille	SPEED SENSOR	X
5A	85 60 476	Cosse	AREA 0, 9-2, 0 MM2	X
7	95 19 406	Boîtier contact 2-poles, broches	SENSOR ABS	X
7A	95 19 398	Cosse	AREA, 0, 8-1, 5 MM2	X
7B	85 79 955	Protection		X
8	95 19 422	Boîtier contact 2-poles, douille	PUMP ABS	X
8A	91 20 791	Cosse	AREA, 2, 5-4, 0 MM2	X
8B	85 79 955	Protection		X
9	85 97 064	Boîtier contact 2-poles, douille	IDLE COMPENSATOR	X
9A	91 20 668	Cosse	AREA, 0, 75-1, 5 MM2, NLS-USE 30520560	X
9B	85 71 382	Protection		X
10	91 23 548	Boîtier contact 2-poles, douille	SIGNAL, HIGH MOUNTED STOP LIGHT, CONTROL LAMP LIGHT, THEFT ALARM JOINT PIECE, TEST CON- NECTOR, JOINT PIECE MAIN CABLE HARNESS, BY- PASS, DOOR SWITCH, LIGHT CENTRE CONSOLE	X
10A	91 20 668	Cosse	AREA, 0, 75-1, 5 MM2, NLS-USE 30520560	X
11	95 25 080	Boîtier contact 2-poles, broches	INFLATOR AIR-BAG	X
11A	95 26 401	Cosse	AREA, 0, 2-0, 56 MM2	X

Rep.	N° de pièce	Article	Usage	Qté
12	95 25 809	Boîtier contact 2-poles, douille	INFLATOR AIR-BAG	X
12A	95 25 817	Cosse	AREA, 0, 2-0, 56 MM2	X

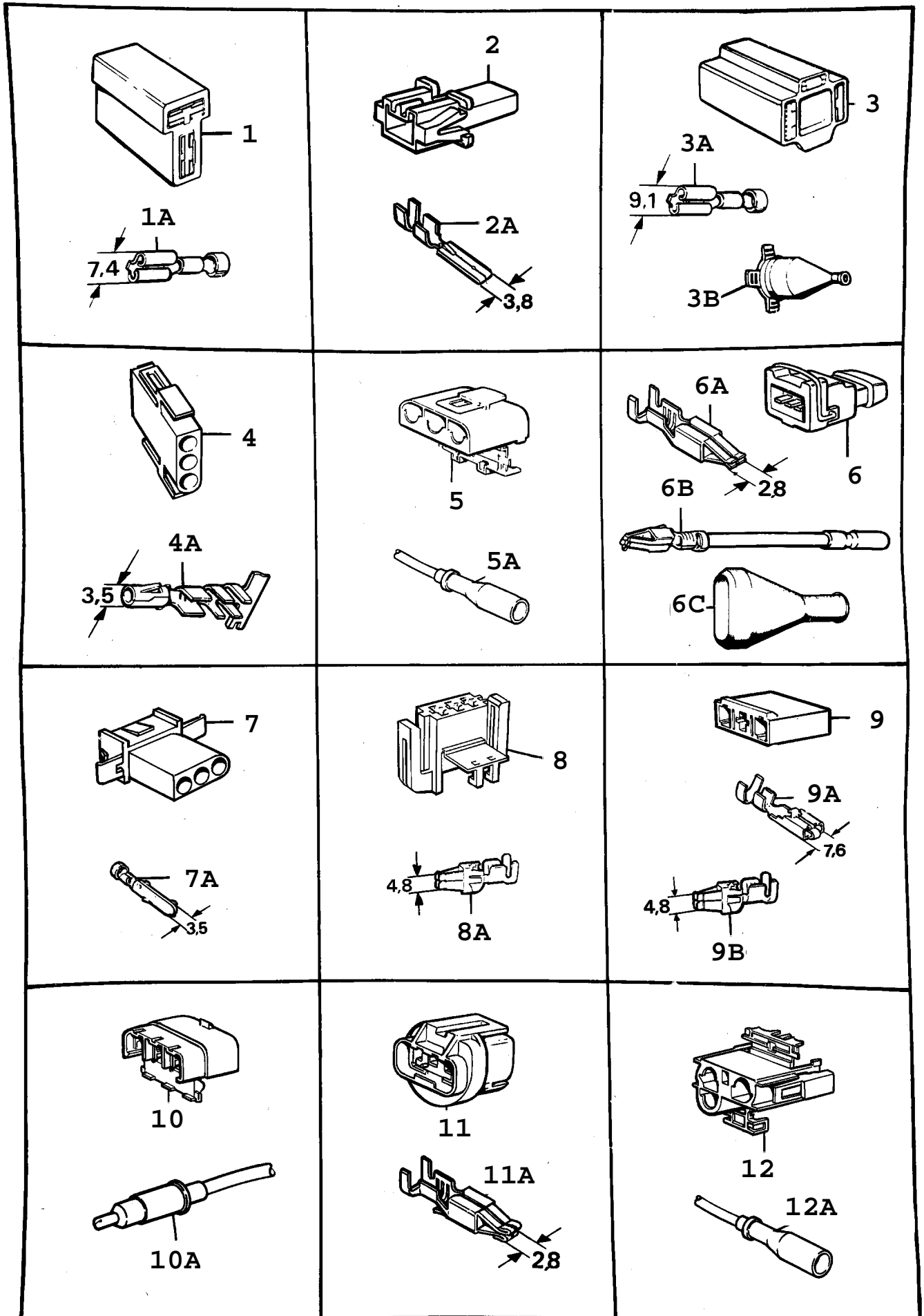
 <p>1 1A</p>	 <p>2 2A 7.4</p>	 <p>3 3A 7.6 3B' 2.8</p>
 <p>4 4A</p>	 <p>5 5A 1.6</p>	 <p>6 6A 5.0</p>
 <p>7 7A 2.8</p>	 <p>8 8A 7.4</p>	 <p>9 9A 2.8 9B'</p>
 <p>10 10A</p>	 <p>11 11A</p>	 <p>12 12A</p>

F6417 CAC94

Rep.	N° de pièce	Article	Usage	Qté
1	95 01 685	Boîtier contact 2-poles, broches	JOINT PIECE, ENGINE COMPARTMENT LIGHT, SWITCH LUGGAGE COMPART- MENT LOCK	X
1A	85 47 770	Bloc connexion		X
2	85 58 538	Boîtier contact 2-poles, douille	CIGARETTE LIGHTER	X
2A	85 22 534	Cosse	AREA 0, 8-2, 1 MM2	X
3	85 74 949	Boîtier contact 2-poles, douille	SPEED SENSOR	X
3A	85 60 476	Cosse	AREA 0, 9-2, 0 MM2	X
3B	91 20 957	Cosse	AREA 1, 0-2, 5 MM2, NLS-USE 30520560	X
5	95 19 406	Boîtier contact 2-poles, broches	SENSOR ABS	X
5A	95 19 398	Cosse	AREA, 0, 8-1, 5 MM2	X
6	91 23 548	Boîtier contact 2-poles, douille	SIGNAL, THEFT ALARM CONTROL LAMP LIGHT, LOUDSPEAKER, BY-PASS DOOR SWITCH, LIGHT CENTRE CONSOL, SOLENOID IGNI- TION LOCK, CODING EXTRA LIGHTS, GLOVE COMPART- MENT LAMP, SHIFT-LOCK	X
6A	91 20 668	Cosse	AREA, 0, 75-1, 5 MM2, NLS-USE 30520560	X
7	95 25 809	Boîtier contact 2-poles, douille	INFLATOR AIR-BAG	X
7A	95 25 817	Cosse	AREA, 0, 2-0, 56 MM2	X
8	71 55 096	Boîte connexion 2-poles, broches	SWITCH BRAKE LIGHT	X
8A	79 71 708	Cosse	AREA, 0, 5-1, 5 MM2	X
9	41 13 205	Boîtier de connecteur 2-poles, douille	JOINT PIECE ABS UNIT SPEED SENSOR, RESISTOR DAY DRIVING LIGHT, HORN, NLS-USE 12788933	X
9A	40 61 586	Cosse	AREA, 1, 0-2, 5 MM2	X
9B	41 14 310	Joint		X
10	41 17 164	Boîtier de connecteur 2-poles, broches	JOINT PIECE TEMP SENSOR SIDE INDICATOR LAMP, SHIFT-LOCK, JOINT PICE	X
10A	41 15 077	Cosse	AREA, 1, 0-2, 5 MM2, NLS-USE 12789934	X
11	41 17 560	Boîtier de connecteur 2-poles, broches	JOINT PIECE MAIN CABLE HARNESS	X
11A	41 15 580	Cosse	AREA, 1, 0-2, 5 MM2	X
12	41 74 264	Boîtier de connecteur 2-poles, broches	AIR-BAG PASSANGER	X
12A	41 15 077	Cosse	AREA, 1, 0-2, 5 MM2, NLS-USE 12789934	X

<p>1</p> <p>1A</p> <p>4.8</p>	<p>2</p> <p>2A</p> <p>6.5</p>	<p>3</p> <p>3A</p> <p>3.5</p>
<p>4</p> <p>4A</p> <p>7.6</p>	<p>5</p> <p>5A</p> <p>2.1</p>	<p>6</p> <p>6A</p> <p>2.1</p>
<p>7</p> <p>7A</p>	<p>8</p> <p>8A</p>	<p>9</p> <p>9A</p> <p>9B</p>
<p>10</p> <p>10A</p>	<p>11</p> <p>11A</p>	<p>12</p> <p>12A</p> <p>12B</p>

Rep.	N° de pièce	Article	Usage	Qté
1	91 24 165	Boîtier contact 3-poles, douille	SEAT, JOINT PIECE, FUEL LEVELX TRANSMITTER	
1A	91 20 775	Cosse	AREA 0, 5-1, 0 MM2	X
1A	91 20 783	Cosse	AREA 1, 0-2, 5 MM2	X
2	95 03 012	Boîtier contact 3-poles, broche	JOINT PIECEL, NLS	X
2A	85 93 089	Cosse	AREA 0, 5-1, 0 MM2	X
3	95 03 293	Boîtier contact 3-poles, douille	DIRECTION LIGHT	X
3A	85 44 298	Cosse	AREA 1, 0-2, 5 MM2, NLS-USE 8582595	X
4	95 07 658	Boîtier contact 3-poles, douille	SWITCH INNER LIGHT	X
4A	85 41 203	Cosse	AREA 0, 5-1, 5 MM2, NLS-USE 8560476	X
5	85 30 081	Boîtier contact 4-poles, broche	LOUD SPEAKER	X
5A	85 22 591	Cosse	AREA, 0, 5-1, 0 MM2 (8503161)	X
6	85 30 099	Boîtier contact 4-poles, douille	ELECTRIC MIRROR	X
6A	85 22 583	Cosse	AREA, 0, 5-1, 0 MM2 (8503153)	X
7	95 03 434	Boîtier contact 4-poles, douille	CONTROL UNIT ACC	X
7A	78 74 498	Connexion		X
8	91 22 789	Boîtier contact 5-poles, douille	RESISTOR HEATING FAN	X
8A	95 02 923	Cosse	AREA, 4, 0-6, 0 MM2, NLS-USE 30520554	X
9	85 93 931	Boîtier contact 6-poles, douille	AIR MESS METER LH	X
9A	85 21 593	Cosse	AREA, 0, 5-1, 5 MM2	X
9B	85 82 082	Protection		X
10	95 03 475	Boîtier contact 6-poles, douille	JOINT PIECE	X
10A	78 74 498	Connexion		X
11	95 06 668	Boîtier contact 6-poles, broche	JOINT PIECE	X
11A	78 74 506	Connexion		X
12	85 93 949	Boîtier contact 7-poles, douille	ELECTRONIC UNIT IGNITION SYSTEM	X
12A	85 21 593	Cosse	AREA, 0, 5-1, 5 MM2	X
12B	85 74 048	Protection	NLS	X



Rep.	N° de pièce	Article	Usage	Qté
1	71 55 096	Boîte connexion 2-poles, broches	SWITCH BRAKE LIGHT	X
1A	79 71 708	Cosse	AREA, 0, 5-1, 5 MM2	X
2	95 18 713	Boîtier contact 2-poles, broches	BY-PASS, SIDE DIRECTION INDICATOR, JOINT PIECE	X
2A	95 52 100	Cosse	AREA, 0, 75-1, 5 MM2	X
3	71 55 021	Boîtier contact 3-poles, douille	HEADLIGHT	X
3A	85 82 413	Cosse	AREA, 1, 3-3, 4 MM2	X
3B	85 52 721	Protège-câble		X
4	85 64 916	Boîtier contact 3-poles, douille	JOINT PIECE, JOINT PIECE B-PILLAR LH AND RH	X
4A	85 82 595	Cosse	AREA, 0, 5-2, 0 MM2	X
5	95 03 277	Boîtier contact 3-poles, douille	SPEED CONTROL, HEADLIGHT WIPERS, WIPER MOTOR, LEVEL CONTROL, CENTRAL LOCK, ABS, HEADLIGHT LEVELLING, FAN, BY-PASS THEFT ALARM DOOR	X
5A	85 47 796	Bloc connexion		X
5A	85 47 812	Bloc connexion		X
6	85 93 907	Boîtier contact 3-poles, douille	THROTTLE SWITCH, JOINT PIECE DI/APC, SOLENOID VALVE APC	X
6A	85 21 593	Cosse	AREA, 0, 5-1, 5 MM2	X
6A	91 20 668	Cosse	AREA, 0, 75-1, 5 MM2, NLS-USE 30520560	X
6B	85 22 617	Cosse	AREA, 1, 0-2, 6 MM2	X
6C	85 79 955	Protection		X
7	85 64 924	Boîtier contact 3-poles, broche	JOINT PIECE, NUMBER PLATE LIGHT, JOINT PIECE CABLE HARNESS DOORS JOINT PIECE TRUNK LID	X
7A	85 82 603	Cosse	AREA 0, 5-2, 0 MM2	X
7A	85 44 322	Cosse	AREA 2, 0-4, 0 MM2	X
8	91 24 165	Boîtier contact 3-poles, douille	JOINT PIECE, LIGHT ASH TRAY REAR, ELECTRONIC UNIT REOSTAT, CLOCK SPEEDOMETER, REOSTAT JOINT PIECE PASSENGER SEAT	X
8A	91 20 791	Cosse	AREA 2, 5-4, 0 MM2	X
9	95 07 658	Boîtier contact 3-poles, douille	SWITCH INNER LIGHT	X
9A	91 20 775	Cosse	AREA 0, 5-1, 5 MM2	X
9A	85 60 476	Cosse	AREA 0, 9-2, 0 MM2	X
9B	91 20 791	Cosse	AREA 2, 5-4, 0 MM2	X
10	95 03 327	Boîtier contact 3-poles, broche	JOINT PIECE, JOINT PIECE CABLE MAIN CABLE HARNESS/ABS	X
10A	85 47 770	Bloc connexion		X
11	95 14 803	Boîtier contact 3-poles, douille	LHD, US, HEADLIGHT	X
11A	91 20 668	Cosse	AREA, 0, 75-1, 5 MM2, NLS-USE 30520560	X

Rep.	N° de pièce	Article	Usage	Qté
12	95 19 679	Boîtier contact 3-poles, douille	DIRECTION LIGHT, SIDE BACK-UP LIGHT	X
12A	85 47 796	Bloc connexion		X
12A	78 74 498	Connexion		X

<p>1</p> <p>1A</p> <p>4,8</p>	<p>2</p> <p>2A</p> <p>2,8</p>	<p>3</p> <p>3A</p> <p>3B</p> <p>4,8</p>
<p>4</p> <p>4A</p> <p>4B</p> <p>4C</p>	<p>5</p> <p>5A</p> <p>5B</p> <p>9,1</p>	<p>6</p> <p>6A</p> <p>3,5</p>
<p>7</p> <p>7A</p>	<p>8</p> <p>8A</p> <p>3,5</p>	<p>9</p> <p>9A</p> <p>4,8</p>
<p>10</p> <p>10A</p> <p>2,8</p>	<p>11</p> <p>11A</p>	<p>12</p> <p>12A</p>

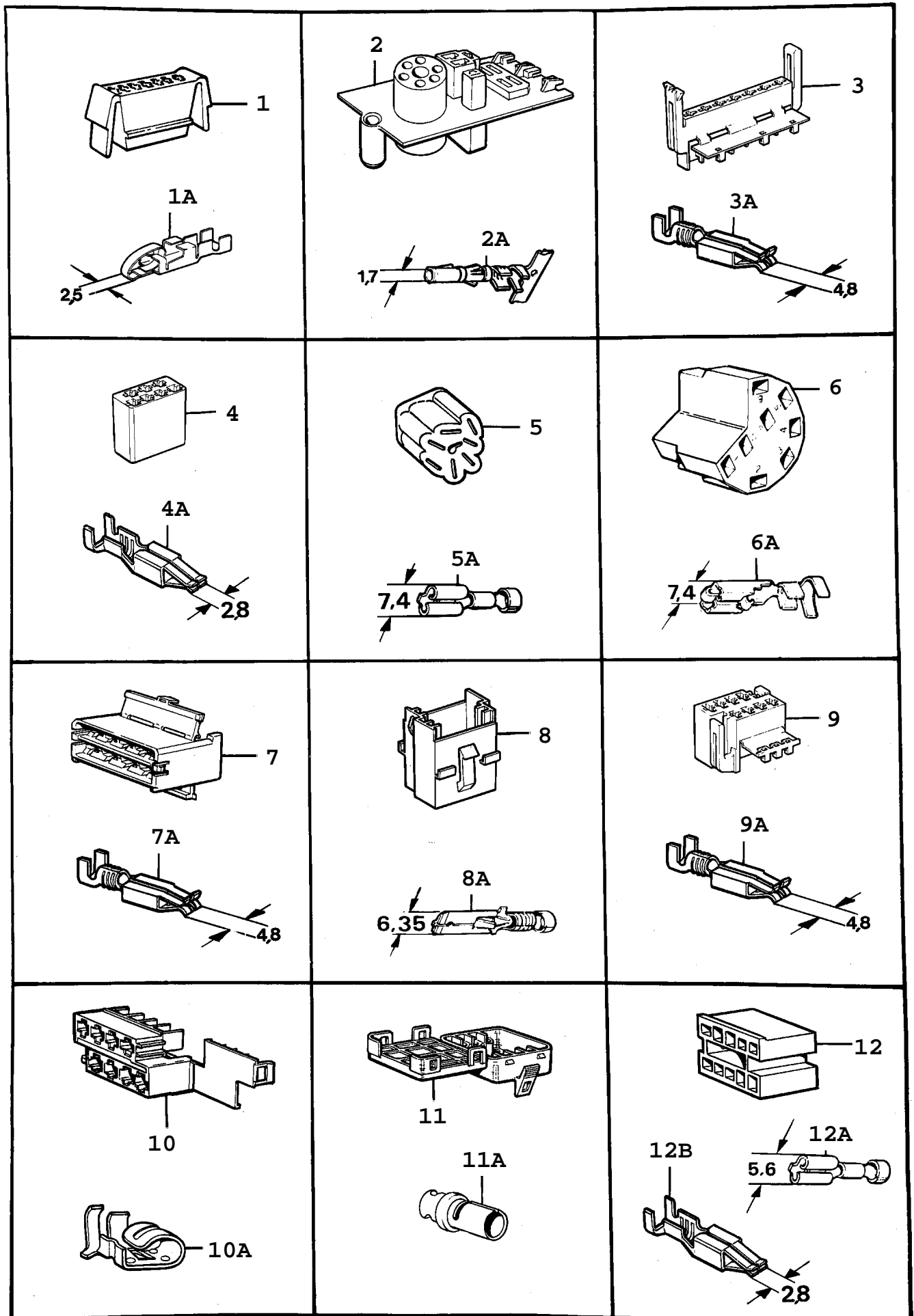
F6418 CAC94

Rep.	N° de pièce	Article	Usage	Qté
1	41 13 411	Boîtier de connecteur 2-poles, douille	JOINT PIECE ABS UNIT	X
1A	43 54 171	Cosse	AREA, 1, 0-2, 5 MM2, NLS-USE 12970428	X
2	41 78 414	Boîtier de connecteur 2-poles, douille	DUMP VALVE, BY-PASS INJECTION VALVE, TEMP SENSOR, MAIN VALVE JOINT PIECE PEDAL SENSOR AUXILIARY AIR VALVE THERMO SWITCH, NLS-USE 12790247	X
2A	40 61 586	Cosse	AREA, 1, 0-2, 5 MM2	X
3	95 19 422	Boîtier contact 2-poles, douille	HYDRAULIC PUMP	X
3A	91 20 791	Cosse	AREA, 2, 5-4, 0 MM2	X
3B	85 79 955	Protection		X
4	42 01 224	Boîtier de connecteur 2-poles, douille	REVERS LIGHT CONTACT	X
4A	44 18 505	Cosse	AREA, 0, 5-1, 0 MM2	X
4B	42 01 232	Verrouillage		X
4C	44 19 305	Joint rouge		X
4C	44 19 313	Joint bleu		X
5	71 55 021	Boîtier contact 3-poles, douille	HEADLIGHT	X
5A	85 82 413	Cosse	AREA, 1, 3-3, 4 MM2	X
5B	85 52 721	Protège-câble		X
6	85 64 916	Boîtier contact 3-poles, douille	JOINT PIECE, JOINT PIECE B-PILLAR LH AND RH	X
6A	85 82 595	Cosse	AREA, 0, 5-2, 0 MM2	X
7	95 03 277	Boîtier contact 3-poles, douille	SPEED CONTROL, HEADLIGHT WIPERS, WIPER MOTOR, ABS, FAN, CODING SPEED CONTR- ROL, HEADLIGHT LEVELLING BY-PASS, THEFT ALARM DOOR, PRESSURE MONITOR AC, SENSOR AIR-BAG	X
7A	85 47 796	Bloc connexion		X
8	85 64 924	Boîtier contact 3-poles, broche	NUMBER PLATE LIGHT JOINT PIECE CABLE HAR- NESS DOORS, JOINT PIECE TRUNK LID	X
8A	85 82 603	Cosse	AREA 0, 5-2, 0 MM2	X
8A	85 44 322	Cosse	AREA 2, 0-4, 0 MM2	X
9	91 24 165	Boîtier contact 3-poles, douille	JOINT PIECE, LIGHT ASH TRAY REAR, ELECTRONIC UNIT REOSTAT, CLOCK SPEEDOMETER, REOSTAT JOINT PIECE PASSENGER SEAT, SPEED SENSOR ELECTRONIC UNIT SPEED WARNING DEVICE	X
9A	91 20 791	Cosse	AREA 2, 5-4, 0 MM2	X
10	95 14 803	Boîtier contact 3-poles, douille	LHD, US, HEADLIGHT	X

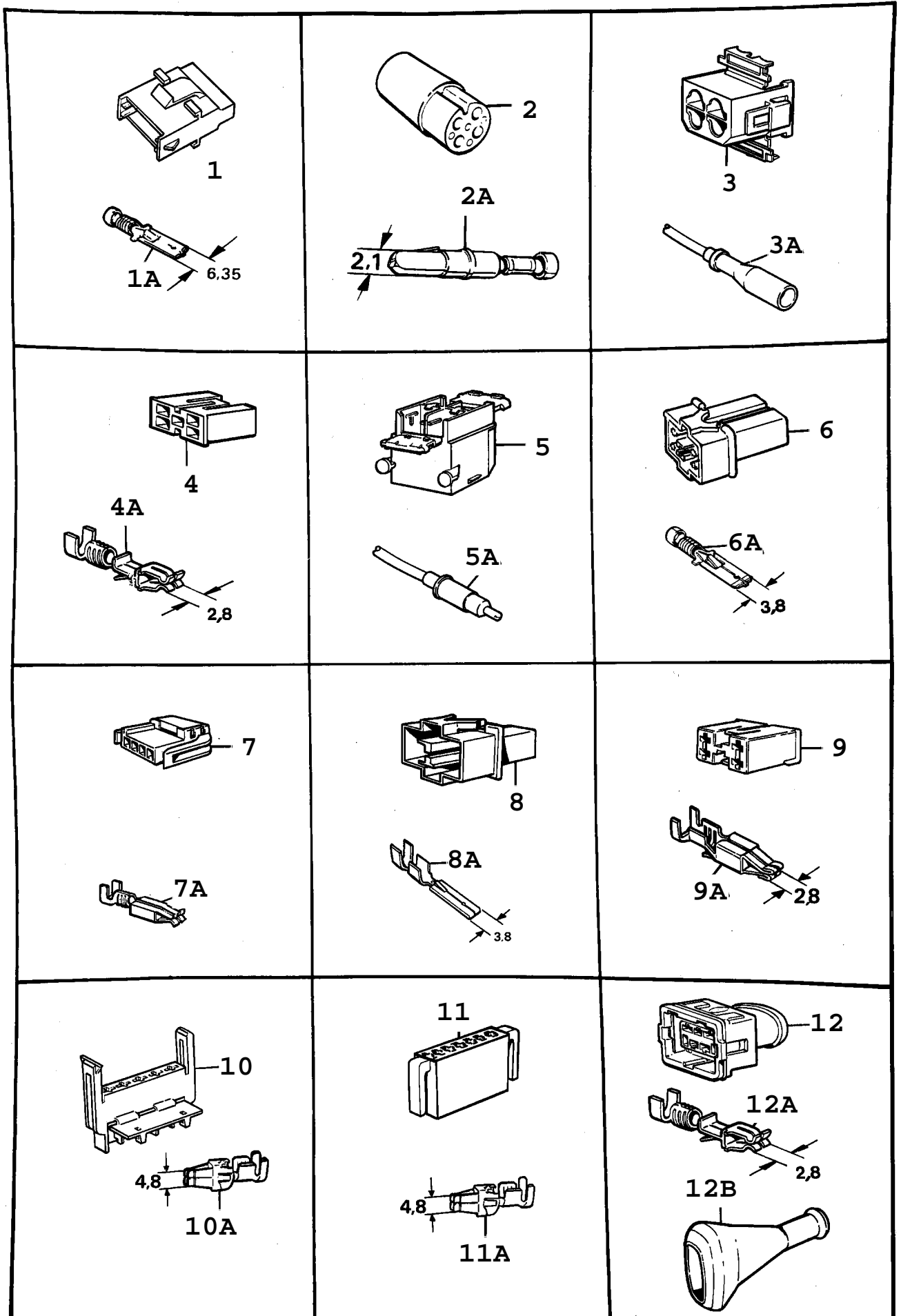
**9000 / 03B Système électrique, boîte de connexion
0180 Conduites et fusibles - Connecteur, etc (1994)**

Liste des pièces détachées EPC

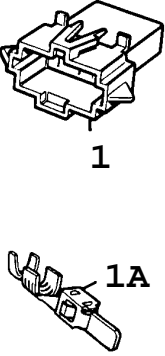
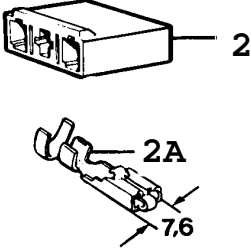
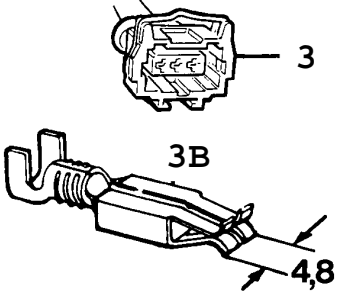
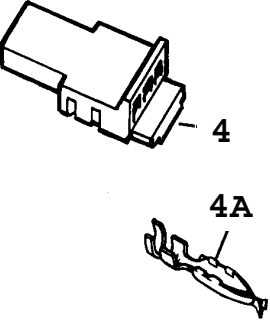
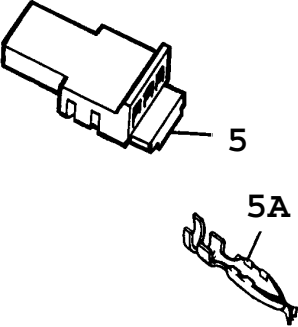
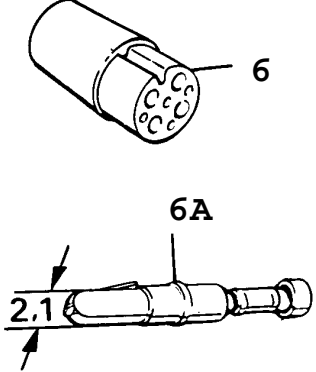
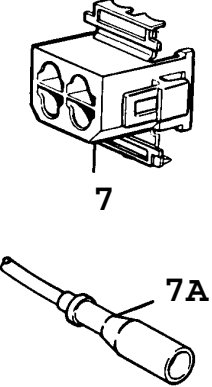
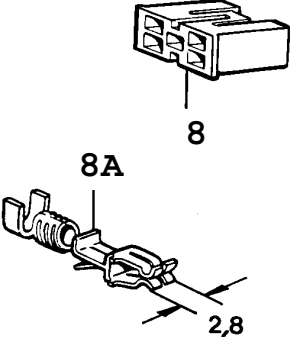
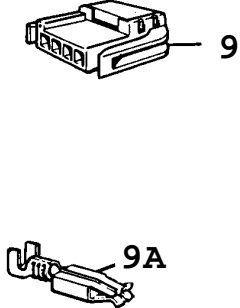
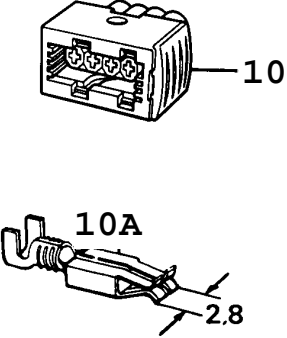
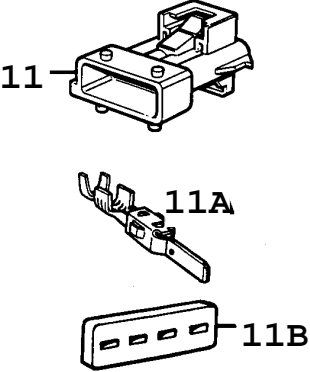
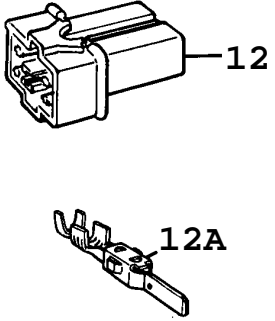
Rep.	N° de pièce	Article	Usage	Qté
10A	91 20 668	Cosse	AREA, 0, 75-1, 5 MM2, NLS-USE 30520560	X
11	95 19 679	Boîtier contact 3-poles, douille	DIRECTION LIGHT, SIDE BACK-UP LIGHT	X
11A	85 47 796	Bloc connexion		X
11A	78 74 498	Connexion		X
12	95 03 327	Boîtier contact 3-poles, broche	PRESSURE MONITOR AC R134A	X
12A	85 47 770	Bloc connexion		X



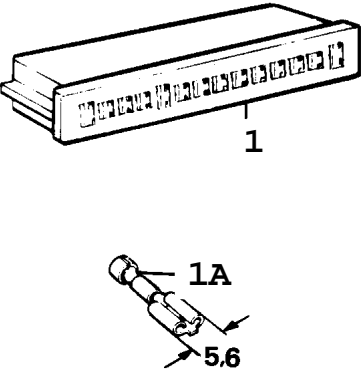
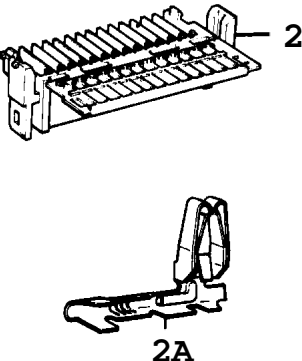
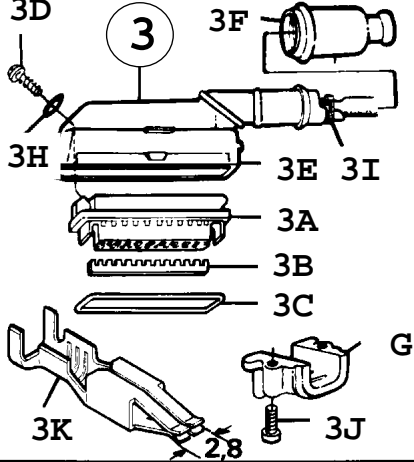
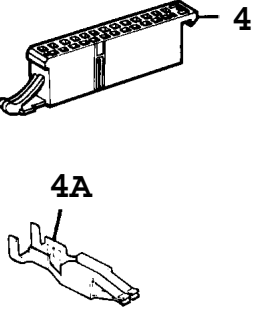
Rep.	N° de pièce	Article	Usage	Qté
1	81 35 600	Boîtier contact 7-poles, douille	INSTRUMENTS, NLS	X
1A	81 35 147	Cosse	AREA, 0, 75-1, 0 MM2	X
1A	81 38 679	Cosse	AREA, 1, 0-3, 5 MM2	X
2	85 21 700	Contact 7-poles, douille	TEST CONNECTOR	X
2A	85 87 552	Cosse	AREA, 0, 5-1, 5 MM2	X
3	91 22 797	Boîtier contact 7-poles, douille	THEFT ALARM, SWITCH DIRECTION INDICATOR, SWITCH SPEED CONTROL TAIL LIGHT	X
3A	91 20 775	Cosse	AREA, 0, 5-1, 0 MM2	X
4	91 23 381	Boîtier contact 7-poles, douille	SWITCH ELECTRIC MIRROR	X
4A	85 21 593	Cosse	AREA, 0, 5-1, 5 MM2	X
5	95 03 251	Boîtier contact 7-poles, douille	HEATING FAN	X
5A	79 72 029	Cosse	AREA, 1, 0-2, 5 MM2, NLS-USE 8522534	X
6	85 44 363	Boîtier contact 8-poles, douille	SWITCH REAR FOGLIGHT	X
6A	85 41 203	Cosse	AREA, 0, 5-1, 5 MM2, NLS-USE 8560476	X
6A	85 41 211	Cosse	AREA, 2, 5-4, 0 MM2	X
7	85 33 655	Boîtier contact 8-poles, douille	ELECTRONIC UNIT SPEED CONTROL	X
7A	91 20 775	Cosse	AREA, 0, 5-1, 5 MM2	X
8	91 24 181	Boîtier contact 8-poles, broche	JOINT PIECE, EL-HEATED SEAT	X
8A	71 55 062	Cosse	AREA, 0, 8-2, 5 MM2, NLS-USE 8522542	X
8A	85 16 957	Cosse	AREA, 4, 0-6, 0 MM2	X
9	91 24 090	Boîtier contact 8-poles, douille	JOINT PIECE, SWITCH REAR DEMIST, SWITCH WINDOW REGULATOR, SWITCH SUN ROOF, CENTRAL LOCK TOW HOOK	X
9A	91 20 775	Cosse	AREA, 0, 5-1, 0 MM2	X
9A	91 20 783	Cosse	AREA, 1, 0-2, 5 MM2	X
10	95 03 525	Boîtier contact 8-poles, douille	SWITCH WINDOW REGULATOR	X
10A	85 82 090	Cosse	AREA, 0, 5-1, 5 MM2	X
11	95 12 930	Boîtier contact 9-poles, douille	LOCK STEERING COLUMN	X
11A	95 09 746	Cosse	AREA, 0, 5-1, 5 MM2	X
12	85 44 371	Boîte connexion 10-poles, douille	REOSTAT, SWITCH REAR FOG LIGHT, SWITCH AC, SWITCH RECIRCULATION, NLS	X
12A	85 44 389	Cosse	AREA, 0, 5-1, 5 MM2	X
12B	85 21 593	Cosse	AREA, 0, 5-1, 5 MM2	X



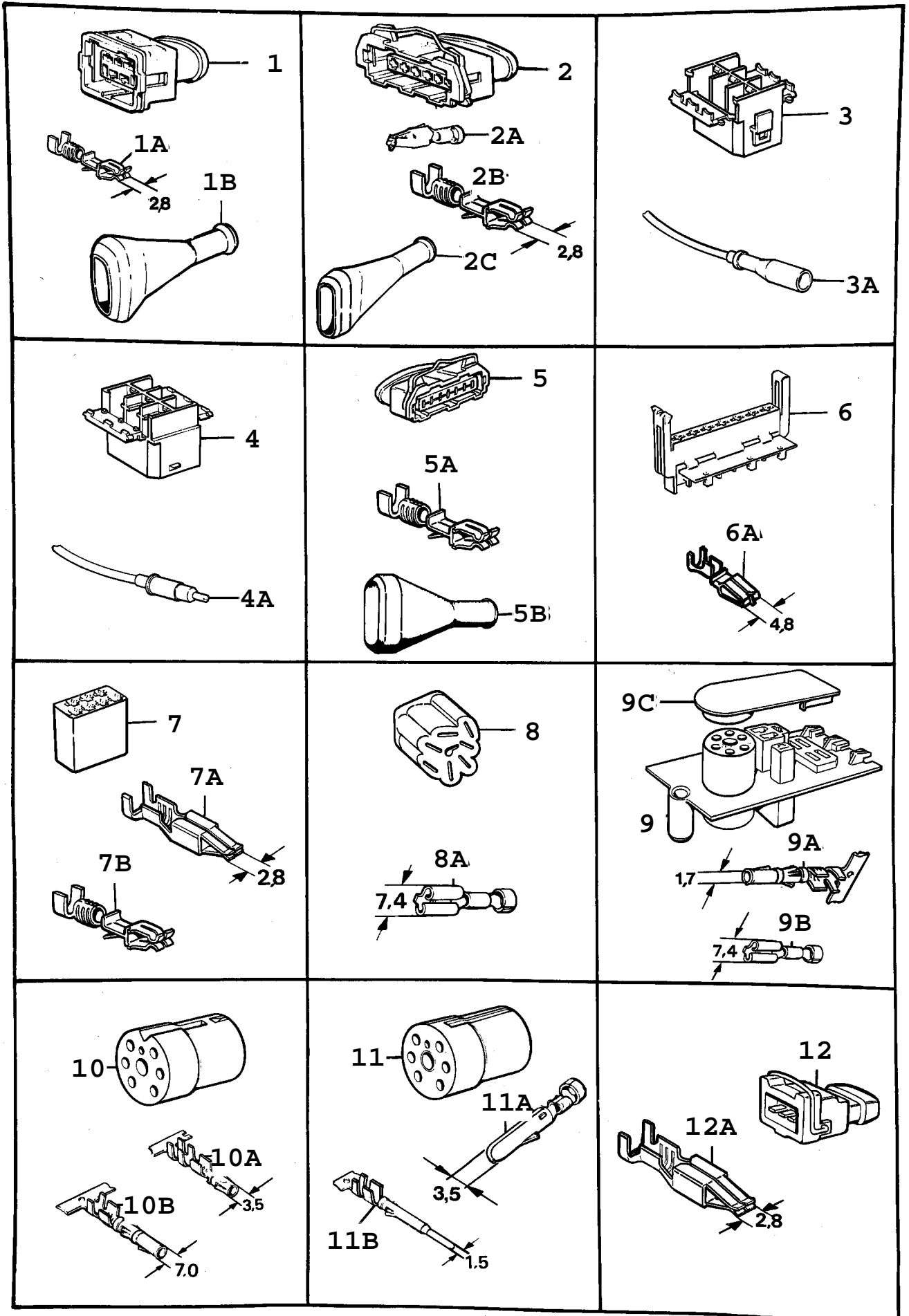
Rep.	N° de pièce	Article	Usage	Qté
1	95 03 012	Boîtier contact 3-poles, broche	EL-ADJUSTED CHAIR, NLS	X
1A	85 22 542	Cosse	AREA, 0, 8-2, 5 MM2	X
2	85 30 099	Boîtier contact 4-poles, broche	ELECTRIC MIRROR	X
2A	85 22 583	Cosse	AREA, 0, 8-3, 4 MM2	X
3	95 03 434	Boîtier contact 4-poles, douille	CONTROL UNIT ACC, JOINT PIECE, PRESSURE SWITCH, FUEL PUMP SENSOR, ABS IGNITION CASSETTE CRANKSHAFT POSITION SENSOR, THERMOSTAT	X
3A	85 47 796	Bloc connexion		X
3A	78 74 498	Connexion		X
4	91 23 555	Boîtier contact 4-poles, douille	FAN INDOOR TEMP, JOINT PIECE MAIN CABLE HAR- NESS/APC, LUGGAGE COM- PARTMENT LOCK, PRESSURE SENSOR, PHONE	X
4A	95 08 714	Cosse	AREA, 0, 3-0, 6 MM2, NLS-USE 30520560	X
4A	91 20 668	Cosse	AREA, 0, 75-1, 5 MM2, NLS-USE 30520560	X
5	95 03 442	Boîtier contact 4-poles, broche	IGNITION CASSETTE	X
5A	85 47 770	Bloc connexion		X
6	95 18 739	Boîtier contact 4-poles, broche	JOINT PIECE, JOINT PIECE DI/APC	X
6A	95 52 100	Cosse	AREA, 0, 75-1, 5 MM2	X
7	40 60 869	Boîtier contact 4-poles, douille	SUN SENSOR	X
7A	40 63 970	Cosse	AREA, 0, 5-1, 0 MM2	X
8	40 61 495	Boîtier contact 4-poles, douille	JOINT PIECE MAIN CABLE HARNESS	X
8A	95 52 100	Cosse	AREA, 0, 75-1, 5 MM2	X
9	40 61 503	Boîtier contact 4-poles, broche	JOINT PIECE	X
9A	91 20 957	Cosse	AREA, 1, 0-2, 5 MM2, NLS-USE 30520560	X
10	91 22 789	Boîtier contact 5-poles, douille	RESISTOR HEATING FAN	X
10A	91 20 791	Cosse	AREA, 2, 5-4, 0 MM2	X
11	91 24 173	Boîtier contact 5-poles, douille	GEAR INDICATOR, JOINT PIECE, GEAR INDICATOR STARTER INHIBITOR	X
11A	91 20 791	Cosse	AREA, 2, 5-4, 0 MM2	X
12	95 19 414	Boîtier contact 5-poles, douille	PRESSURE MONITOR	X
12A	91 20 668	Cosse	AREA, 0, 75-1, 5 MM2, NLS-USE 30520560	X
12B	85 79 955	Protection	AREA, 1, 0-2, 5 MM2	X

 <p>1 1A</p>	 <p>2 2A 7,6</p>	 <p>3 3B 4,8</p>
 <p>4 4A</p>	 <p>5 5A</p>	 <p>6 6A 2,1</p>
 <p>7 7A</p>	 <p>8 8A 2,8</p>	 <p>9 9A</p>
 <p>10 10A 2,8</p>	 <p>11 11A 11B</p>	 <p>12 12A</p>

Rep.	N° de pièce	Article	Usage	Qté
1	41 17 669	Boîtier de connecteur 3-poles, broche	JOINT PIECE MAIN CABLE HARNESS, EL-ADJUSTED SEAT	X
1A	41 15 580	Cosse	AREA, 1, 0-2, 5 MM2	X
2	95 07 658	Boîtier contact 3-poles, douille	SWITCH INTERIOR LIGHT	X
2A	85 60 476	Cosse	AREA, 0, 9-2, 0 MM2	X
3	44 32 316	Boîtier de connecteur 3-poles, douille	SOLENOID VALVE, CRANK SHAFT SENSOR, THROTTLE POT, PRESSURE SENSOR	X
3A	40 61 586	Cosse	AREA, 1, 0-2, 5 MM2	X
4	41 09 195	Boîtier contact 3-poles, douille	MEMORY UNIT CHAIR	X
4A	40 63 970	Cosse	AREA, 0, 5-1, 0 MM2	X
5	41 09 187	Boîtier contact 3-poles, douille	MEMORY UNIT CHAIR	X
5A	40 63 970	Cosse	AREA, 0, 5-1, 0 MM2	X
6	85 30 099	Boîtier contact 4-poles, broche	ELECTRIC MIRROR	X
6A	85 22 583	Cosse	AREA, 0, 8-3, 4 MM2	X
7	95 03 434	Boîtier contact 4-poles, douille	CONTROL UNIT ACC, JOINT PIECE, PRESSURE SWITCH, THEFT ALARM, THERMOSTAT	X
7A	85 47 796	Bloc connexion		X
7A	78 74 498	Connexion		X
8	91 23 555	Boîtier contact 4-poles, douille	FAN INDOOR TEMP, JOINT PIECE MAIN CABLE HAR- NESS/APC, LUGGAGE COM- PARTMENT LOCK, PHONE SWITCH WARNING FLASHER REAR WIPER, TAIL LAMP	X
8A	95 08 714	Cosse	AREA, 0, 3-0, 6 MM2, NLS-USE 30520560	X
9	40 60 869	Boîtier contact 4-poles, douille	SUN SENSOR	X
9A	40 63 970	Cosse	AREA, 0, 5-1, 0 MM2	X
10	41 13 601	Boîtier de connecteur 4-poles, douille	CS, HEAD LIGHT LAMBDA SONDE, SENSOR AIR-BAG	X
10A	43 50 526	Cosse	AREA, 0, 5-1, 0 MM2	X
11	41 13 650	Boîtier de connecteur 4-poles, broche	SENSOR FUEL PUMP JOINT PIECE	X
11A	41 15 192	Cosse	AREA, 1, 0-2, 5 MM2	X
11B	41 13 759	Joint		X
12	41 17 263	Boîtier de connecteur 4-poles, broche	JOINT PIECE MAIN CABLE HARNESS	X
12A	41 15 077	Cosse	AREA, 1, 0-2, 5 MM2, NLS-USE 12789934	X

 <p>1</p> <p>1A 5,6</p>	 <p>2</p> <p>2A</p>	 <p>3D</p> <p>3</p> <p>3F</p> <p>3H</p> <p>3E</p> <p>3I</p> <p>3A</p> <p>3B</p> <p>3C</p> <p>3K</p> <p>2,8</p> <p>3J</p> <p>G</p>
 <p>4</p> <p>4A</p>		

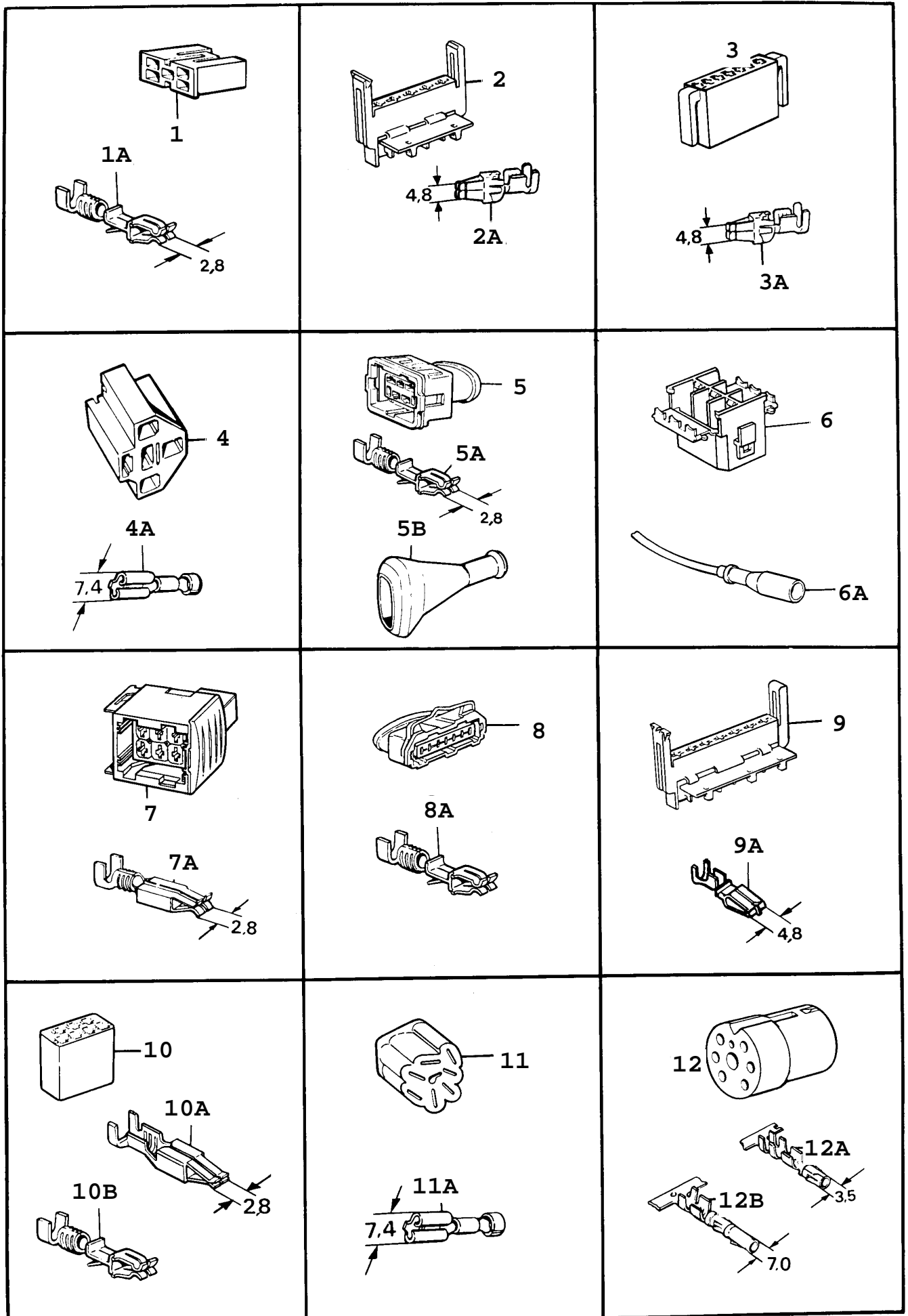
Rep.	N° de pièce	Article	Usage	Qté
1	85 74 121	Boîtier contact 14-poles, douille	APC	X
1A	85 44 389	Cosse	AREA, 0, 5-1, 5 MM2	X
2	95 03 020	Boîtier contact 14-poles, douille	INSTRUMENTS	X
2A	95 05 397	Cosse	AREA, 1, 5-2, 5 MM2	X
3	85 79 930	Boîtier contact 25-poles, douille	ELECTRONIC UNIT LH, NLS	X
3A	85 87 420	*Boîtier contact		1
3B	85 87 438	*Gâche Note: N'est pas une pièce de rechange distincte.		1
3C	85 87 453	*Joint Note: N'est pas une pièce de rechange distincte.		1
3D	85 87 487	*Vis Note: N'est pas une pièce de rechange distincte.		1
3E	85 87 412	*Capot Note: N'est pas une pièce de rechange distincte.	NLS	1
3F	85 87 446	*Bague Note: N'est pas une pièce de rechange distincte.	NLS	1
3G	85 87 495	*Support Note: N'est pas une pièce de rechange distincte.	NLS	1
3H	85 87 461	*Joint Note: N'est pas une pièce de rechange distincte.		1
3I	79 71 872	*Ruban serrage Note: N'est pas une pièce de rechange distincte.	(8558256)	1
3J	79 71 351	*Vis		2
3K	85 21 593	Cosse	AREA, 0, 5-1, 5 MM2	X
4	95 06 650	Boîtier contact 25-poles, broche	ELECTRONIC UNIT ACC	X
4A	85 21 593	Cosse	AREA, 0, 5-1, 5 MM2	X



F3997 CAC93

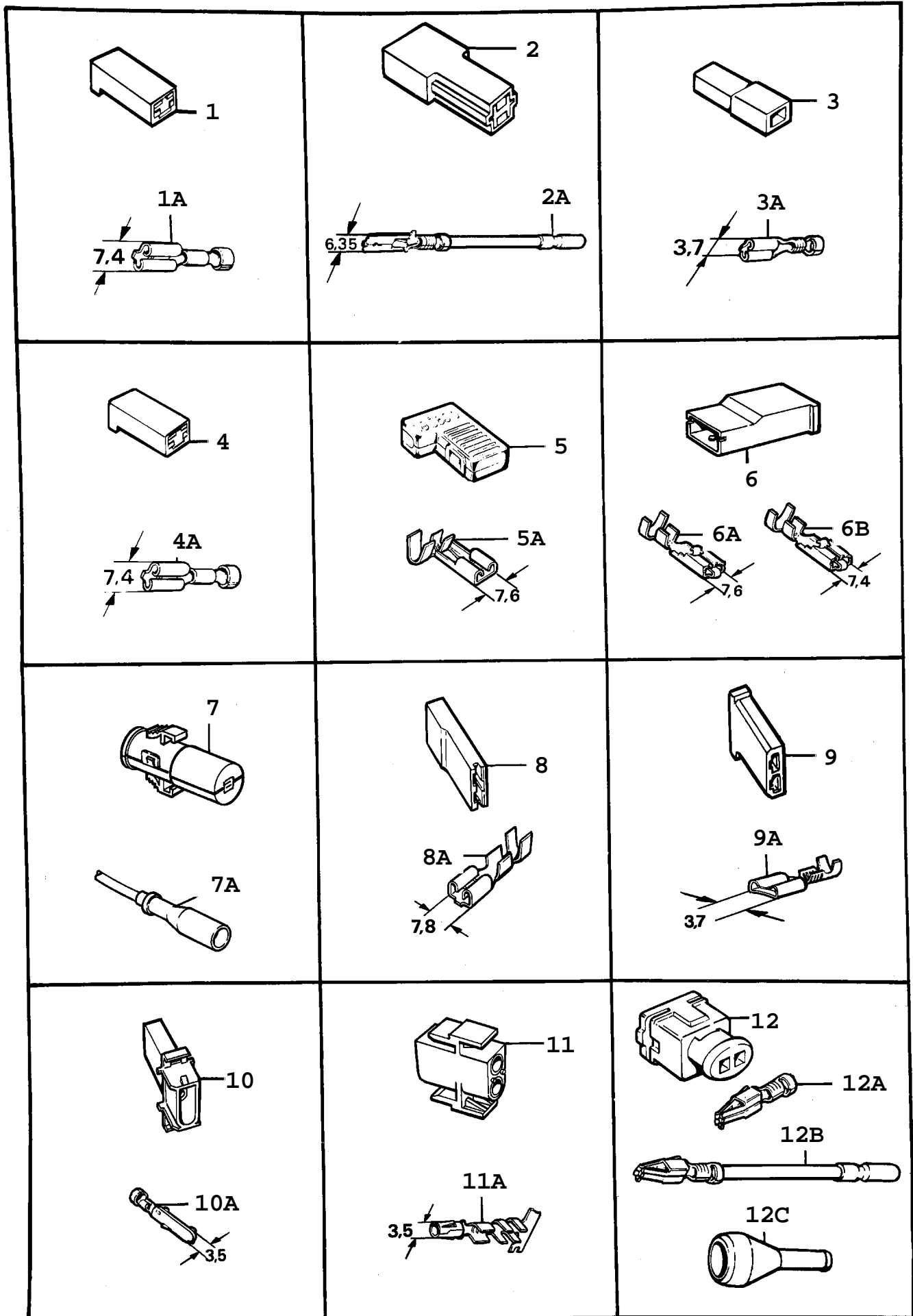
Rep.	N° de pièce	Article	Usage	Qté
1	95 19 455	Boîtier contact 5-poles, douille	LEVEL ABS, ACCELERATOR PEDEL SENSOR, VALVES, TCS	X
1A	91 20 668	Cosse	AREA, 0, 75-1, 5 MM2, NLS-USE 30520560	X
1B	95 19 430	Protection		X
2	85 93 931	Boîtier contact 6-poles, douille	AIR MASS METER LH	X
2A	85 21 593	Cosse	AREA, 0, 5-1, 5 MM2	X
2B	91 20 668	Cosse	AREA, 0, 75-1, 5 MM2, NLS-USE 30520560	X
2C	85 82 082	Protection		X
3	95 03 475	Boîtier contact 6-poles, douille	JOINT PIECE TCS, JOINT PIECE	X
3A	85 47 796	Bloc connexion		X
3A	78 74 498	Connexion		X
4	95 06 668	Boîtier contact 6-poles, broche	JOINT PIECE	X
4A	85 47 770	Bloc connexion		X
5	85 93 949	Boîtier contact 7-poles, douille	POWER STAGE, VALVE OUTPUT STAGE, SETTING MOTOR	X
5A	91 20 668	Cosse	AREA, 0, 75-1, 5 MM2, NLS-USE 30520560	X
5B	85 74 048	Protection	NLS	X
6	91 22 797	Boîtier contact 7-poles, douille	THEFT ALARM, SWITCH DIRECTION INDICATOR, SWITCH SPEED CONTROL TAIL LIGHT, SWITCH FLASHER	X
6A	91 20 791	Cosse	AREA, 2, 5-4, 0 MM2	X
7	91 23 381	Boîtier contact 7-poles, douille	SWITCH ELECTRIC MIRROR	X
7A	85 21 593	Cosse	AREA, 0, 5-1, 5 MM2	X
7B	91 20 668	Cosse	AREA, 0, 75-1, 5 MM2, NLS-USE 30520560	X
8	95 03 251	Boîtier contact 7-poles, douille	HEATING FAN	X
8A	79 72 029	Cosse	AREA, 1, 0-2, 5 MM2, NLS-USE 8522534	X
9	95 12 591	Contact 7-poles, douille	TEST CONNECTOR	X
9A	85 87 552	Cosse	AREA, 0, 5-1, 5 MM2	X
9A	85 87 560	Cosse	AREA, 1, 0-2, 5 MM2	X
9B	85 82 454	Cosse	AREA, 0, 5-1, 5 MM2	X
9C	95 20 974	Couvercle		X
10	85 21 700	Contact 7-poles, douille	JOINT PIECE, JOINT PIECE REAR DOOR	X
10A	85 82 595	Cosse	AREA, 0, 5-2, 0 MM2	X
10B	85 87 552	Cosse	AREA, 0, 5-1, 5 MM2	X
11	85 21 718	Boîtier contact 7-poles, broche	JOINT PIECE, JOINT PIECE CABLE HARNESS DOORS	X
11A	85 82 603	Cosse	AREA, 0, 5-2, 0 MM2	X
11B	85 93 964	Cosse	AREA, 0, 5-1, 5 MM2	X
12	40 61 479	Boîtier contact 7-poles, douille	VALVES ABS	X

Rep.	N° de pièce	Article	Usage	Qté
12A	91 20 957	Cosse	AREA, 0, 75-1, 5 MM2, NLS-USE 30520560	X



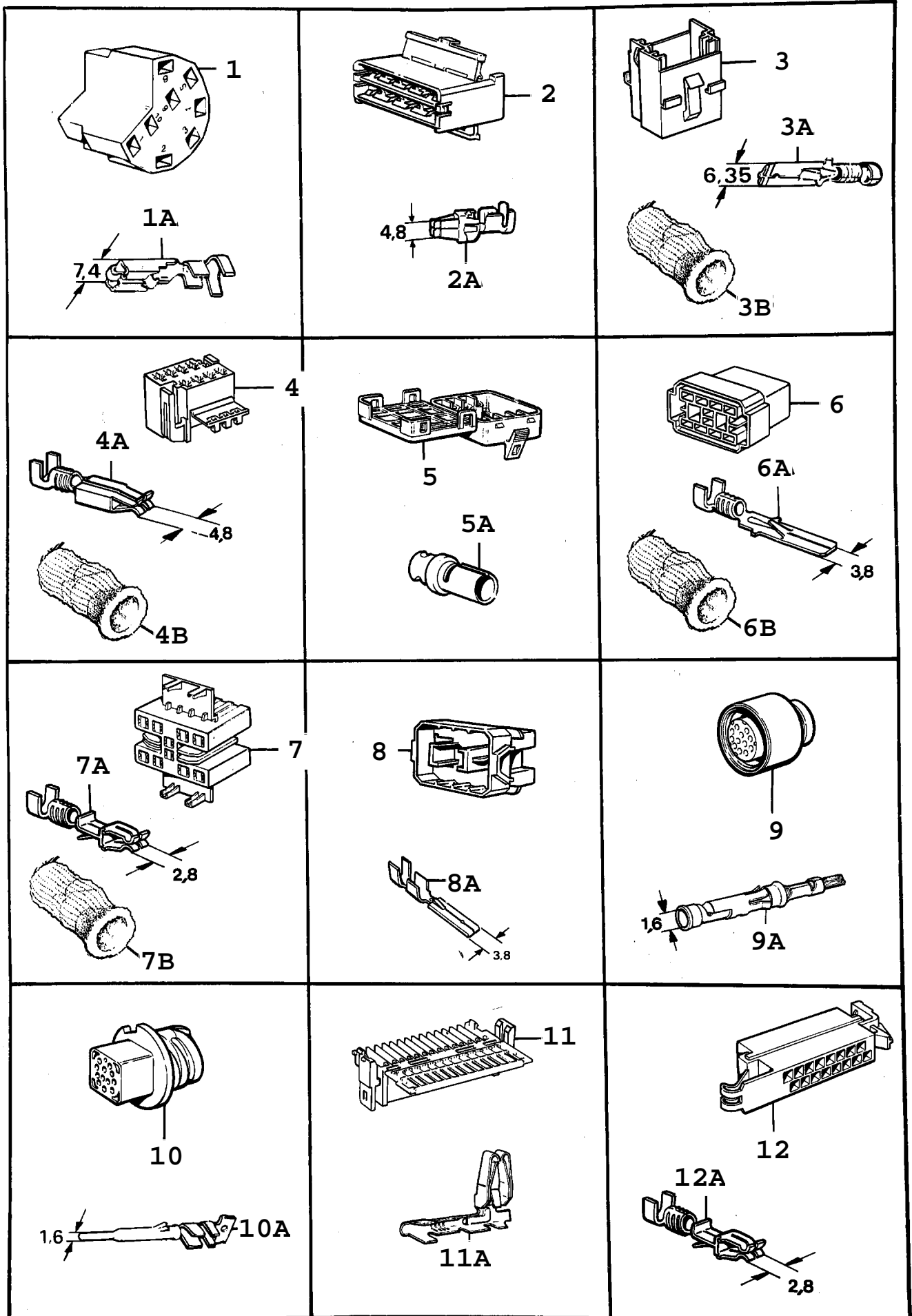
Rep.	N° de pièce	Article	Usage	Qté
1	40 61 503	Boîtier contact 4-poles, douille	CONTACT PARKING PAWL	X
1A	91 20 957	Cosse	AREA, 1, 0-2, 5 MM2, NLS-USE 30520560	X
2	91 22 789	Boîtier contact 5-poles, douille	RESISTOR HEATING FAN	X
2A	91 20 791	Cosse	AREA, 2, 5-4, 0 MM2	X
3	91 24 173	Boîtier contact 5-poles, douille	GEAR INDICATOR, JOINT PIECE, GEAR INDICATOR STARTER INHIBITOR	X
3A	91 20 791	Cosse	AREA, 2, 5-4, 0 MM2	X
4	85 33 697	Boîtier contact 5-poles, douille	RELAY EXHAUST TEMP WASHER PUMP REAR WIPER, RELAY LAMBDA, SWITCH PARKING PAWL	X
4A	85 82 454	Cosse	AREA, 0, 5-1, 5 MM2	X
5	95 19 414	Boîtier contact 5-poles, douille	PRESSURE MONITOR	X
5A	91 20 957	Cosse	AREA, 1, 0-2, 5 MM2, NLS-USE 30520560	X
5B	85 79 955	Protection		X
6	95 03 475	Boîtier contact 6-poles, douille	JOINT PIECE	X
6A	85 47 796	Bloc connexion		X
6A	78 74 498	Connexion		X
7	41 13 809	Boîtier de connecteur 6-poles, douille	WASHER MOTOR, CENTRAL LOCK, JOINT PIECE BOOT LID, REAR LOUD SPEAKER JOINT PIECE ENGINE TRIONIC, NLS-USE 12788966	X
7A	40 61 586	Cosse	AREA, 1, 0-2, 5 MM2	X
8	85 93 949	Boîtier contact 7-poles, douille	VALVE, OUTPUT STAGE	X
8A	91 20 668	Cosse	AREA, 0, 75-1, 5 MM2, NLS-USE 30520560	X
9	91 22 797	Boîtier contact 7-poles, douille	THEFT ALARM, SWITCH DIRECTION INDICATOR, SWITCH SPEED CONTROL TAIL LIGHT	X
9A	91 20 791	Cosse	AREA, 2, 5-4, 0 MM2	X
10	91 23 381	Boîtier contact 7-poles, douille	SWITCH ELECTRIC MIRROR	X
10A	85 21 593	Cosse	AREA, 0, 5-1, 5 MM2	X
10A	91 20 957	Cosse	AREA, 1, 0-2, 5 MM2, NLS-USE 30520560	X
10B	91 20 668	Cosse	AREA, 0, 75-1, 5 MM2, NLS-USE 30520560	X
11	95 03 251	Boîtier contact 7-poles, douille	HEATING FAN	X
11A	79 72 029	Cosse	AREA, 1, 0-2, 5 MM2, NLS-USE 8522534	X
11A	79 68 068	Cosse	AREA, 4, 0-6, 0 MM2	X
12	85 21 700	Contact 7-poles, douille	JOINT PIECE, JOINT PIECE REAR DOOR	X

Rep.	N° de pièce	Article	Usage	Qté
12A	85 82 595	Cosse	AREA, 0, 5-2, 0 MM2	X
12B	85 87 552	Cosse	AREA, 0, 5-1, 5 MM2	X



Rep.	N° de pièce	Article	Usage	Qté
1	71 55 112	Boîtier contact 1-poles, douille	IGNITION PULS, JOINT PIECE	X
1A	79 71 708	Cosse	AREA, 0, 5-1, 5 MM2	X
2	71 55 120	Boîtier contact 1-poles, broche	JOINT PIECE, EL-MIRROR EL-CENTRAL	X
2A	85 22 542	Cosse	AREA, 1, 0-2, 6 MM2	X
3	85 30 115	Boîtier contact 1-poles, broche	LOUDSPEAKER	X
3A	85 30 107	Cosse	AREA, 0, 5-1, 0 MM2	X
4	85 33 184	Boîtier contact 1-poles, broche	LOUDSPEAKER, JOINT PIECE PRESSURE SENSOR APC	X
4B	85 33 028	Cosse	AREA, 0, 5-1, 5 MM2, NLS-USE 8582439	X
5	85 21 692	Boîtier contact 1-poles, douille	LIGHT INSTEP, IGNITION COIL, JOINT PIECE, SWITCH BRAKE LIGHT	X
5A	85 21 676	Cosse	AREA, 0, 5-1, 5 MM2, NLS-USE 8522526	X
5A	85 22 526	Cosse	AREA, 0, 5-1, 5 MM2 (8582421)	X
5A	85 21 684	Cosse	AREA, 1, 0-2, 5 MM2, NLS-USE 8522526	X
6	85 41 229	Douille d'isolation 1-poles, broche	LIGHT INSTEP, SAFETY BELT WARNING, SWITCH SPOTLIGHT, JOINT PIECE	X
6A	85 41 203	Cosse	AREA, 0, 5-1, 0 MM2, NLS-USE 8560476	X
6B	85 82 405	Cosse	AREA, 0, 5-1, 5 MM2, NLS-USE 8560476	X
6B	85 60 476	Cosse	AREA, 0, 9-2, 0 MM2	X
6B	85 41 211	Cosse	AREA, 2, 5-4, 0 MM2	X
7	95 03 418	Boîte connexion 1-poles, douille	COMPRESSOR	X
7A	78 74 498	Connexion		X
8	85 16 916	Isolant 1-poles, douille	STARTER, LIGHT LUGGAGE COMPARTMENT, CIGARETTE LIGHTER, JOINT PIECE SIGNAL, APC PRESSURE SENSOR, PRESSURE SWITCH BRAKE CONTACT, SIGNAL HAND BRAKE, THERMO CONTACT, LAMBDA SOND THROTTLE SWITCH GEAR INDICATOR, TEMP SENSOR GEAR INDICATOR	X
8A	85 14 036	Cosse	AREA, 0, 3-0, 8 MM2	X
8A	85 14 028	Cosse	AREA, 0, 3-0, 8 MM2, NLS-USE 7155716	X
8A	71 55 716	Cosse	AREA, 0, 5-1, 5 MM2	X
8A	71 55 039	Cosse	AREA, 1, 0-2, 5 MM2, NLS	X
9	83 78 630	Boîtier contact 2-poles, douille	PEDAL CONTACT, SUCTION FAN INDOOR TEMP SENSOR ACC	X
9A	85 09 846	Cosse	AREA, 0, 5-1, 4 MM2, NLS-USE 8522575	X
10	85 61 623	Boîtier contact 2-poles, broches	JOINT PIECE	X

Rep.	N° de pièce	Article	Usage	Qté
10A	85 44 314	Cosse	AREA, 0, 5-2, 0 MM2, NLS-USE 8582603	X
11	85 61 631	Boîte connexion 2-poles, douille	JOINT PIECE, MOTOR CENTRAL LOCK	X
11A	85 44 298	Cosse	AREA, 0, 5-2, 0 MM2, NLS-USE 8582595	X
12	85 93 899	Boîtier contact 2-poles, douille	AUXILIARY AIR VALVE INJECTION VALVE, KNOCK SENSOR, JOINT PIECE	X
12A	85 21 593	Cosse	AREA, 0, 5-1, 5 MM2	X
12B	85 22 617	Cosse	AREA, 1, 0-2, 6 MM2	X
12C	85 71 382	Protection		X



F1146 CAC93

Rep.	N° de pièce	Article	Usage	Qté
1	85 44 363	Boîtier contact 8-poles, douille	SWITCH LIGHT	X
1A	85 60 476	Cosse	AREA, 0, 9-2, 0 MM2	X
1A	85 41 211	Cosse	AREA, 2, 5-4, 0 MM2	X
2	85 33 655	Boîtier contact 8-poles, douille	ELECTRONIC UNIT SPEED CONTROL	
2A	91 20 791	Cosse	AREA, 2, 5-4, 0 MM2	X
3	91 24 181	Boîtier contact 8-poles, broche	EL-HEATED SEAT	X
3A	85 93 089	Cosse	AREA, 0, 5-1, 0 MM2	X
3A	85 16 957	Cosse	AREA, 4, 0-6, 0 MM2	X
3B	95 68 775	Isolant	NLS	X
4	91 24 090	Boîtier contact 8-poles, douille	SWITCH REAR DEMIST, DCC SWITCH SUN ROOF REGULA- TOR, CENTRAL LOCK, TOW HOOK, TRUNK LID, SWITCH CENTRAL LOCK, ON/OFF ALARM, JOINT PIECE CABLE HARNESS ROOF	X
4A	91 20 791	Cosse	AREA, 2, 5-4, 0 MM2	X
4B	95 68 775	Isolant	NLS	X
5	95 12 930	Boîtier contact 9-poles, douille	LOCK STEERING COLUMN	X
5A	95 09 746	Cosse	AREA, 0, 5-1, 5 MM2	X
6	91 22 557	Boîte connexion 10-poles, broche	RADIO, BY-PASS, JOINT PIECE CABLE HARNESS ROOF, DIAGNOS UNIT	X
6A	95 52 100	Cosse	AREA, 0, 75-1, 5 MM2	X
6B	95 68 775	Isolant	NLS	X
7	91 23 399	Boîte connexion 10-poles, douille	REAR FOG LIGHT, SWITCH AC, RECIRCULATION AC, RADIO, FOG LIGHT EXTRA REOSTAT ELPAD, HEADLIGHT LEVELING, TEST CONNECTOR AIR-BAG, JOINT PIECE REOSTAT LIGHT INSTEP BY-PASS STOP LIGHT STARTER INHIBITOR, ACC	X
7A	91 20 668	Cosse	AREA, 0, 75-1, 5 MM2, NLS-USE 30520560	X
7B	95 68 775	Isolant	NLS	X
8	40 69 928	Boîte connexion 10-poles, broche	DIAGNOS WAGON	X
8A	95 52 100	Cosse	AREA, 0, 75-1, 5 MM2	X
9	95 29 538	Boîtier contact 12-poles, douille	DIAGNOS AIR-BAG	X
9A	95 25 817	Cosse	AREA, 0, 2-0, 56 MM2	X
10	95 29 512	Boîtier contact 12-poles, broche	JOINT PIECE MAIN CABLE HARNESS/AIR-BAG	X
10A	95 26 401	Cosse	AREA, 0, 2-0, 56 MM2	X
11	95 03 020	Boîtier contact 14-poles, douille	INSTRUMENTS	X
11A	95 05 397	Cosse	AREA, 1, 5-2, 5 MM2	X
12	95 66 282	Boîtier contact 16-poles, douille	ELECTRONIC UNIT THEFT ALARM	X

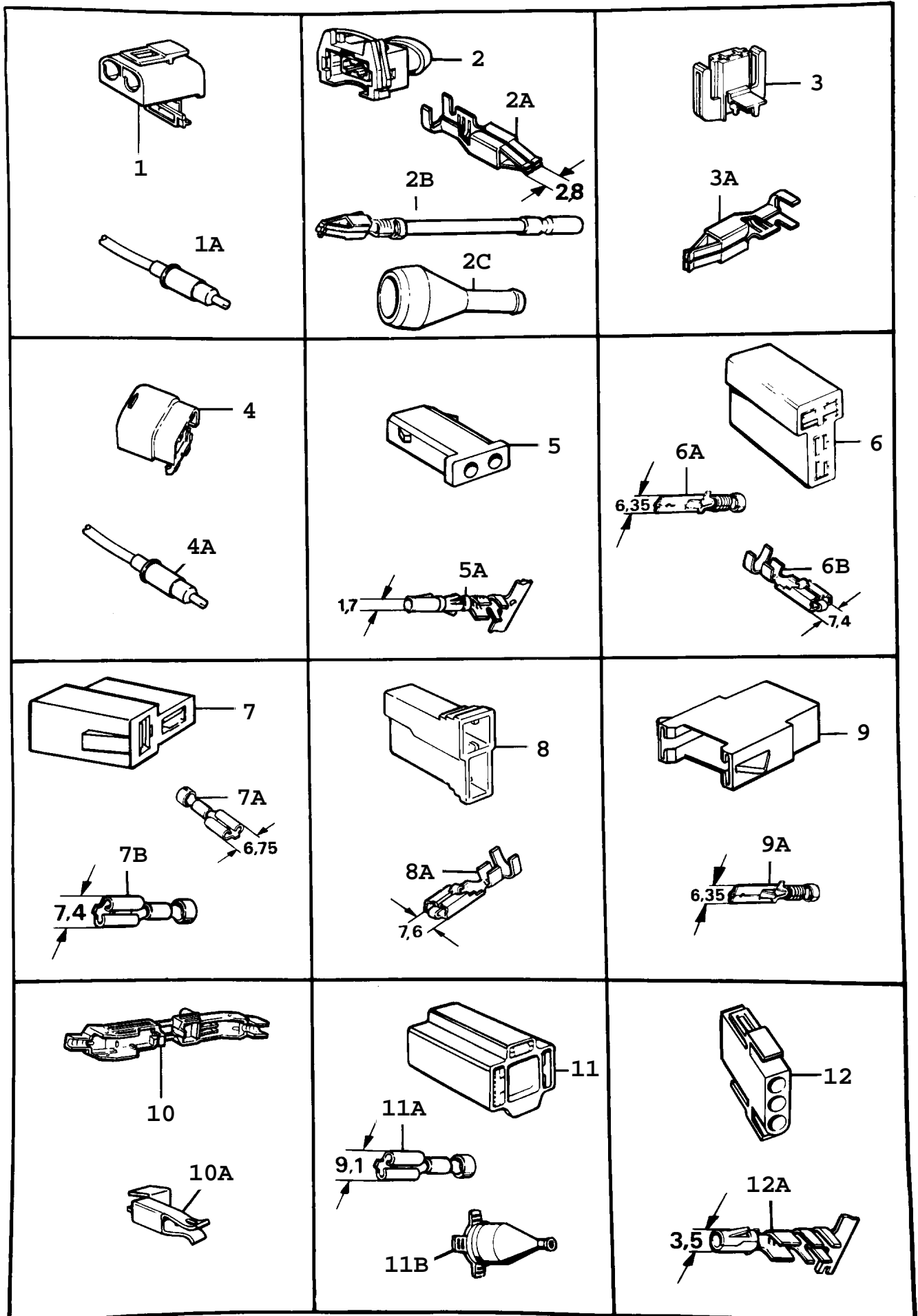
Rep.	N° de pièce	Article	Usage	Qté
12A	91 20 668	Cosse	AREA, 0, 75-1, 5 MM2, NLS-USE 30520560	X

<p>1 1A 1.5</p>	<p>2 2A 2.8</p>	<p>3 3A 7.4</p>
<p>4 4A 4.8 4B</p>	<p>5 5A</p>	<p>6 6A</p>
<p>7 7A</p>	<p>8 8A 2.8 8B</p>	<p>9 9A 2.8</p>
<p>10 10A</p>	<p>11 11A</p>	<p>12 12B 1.6</p>

F6421 CAC94

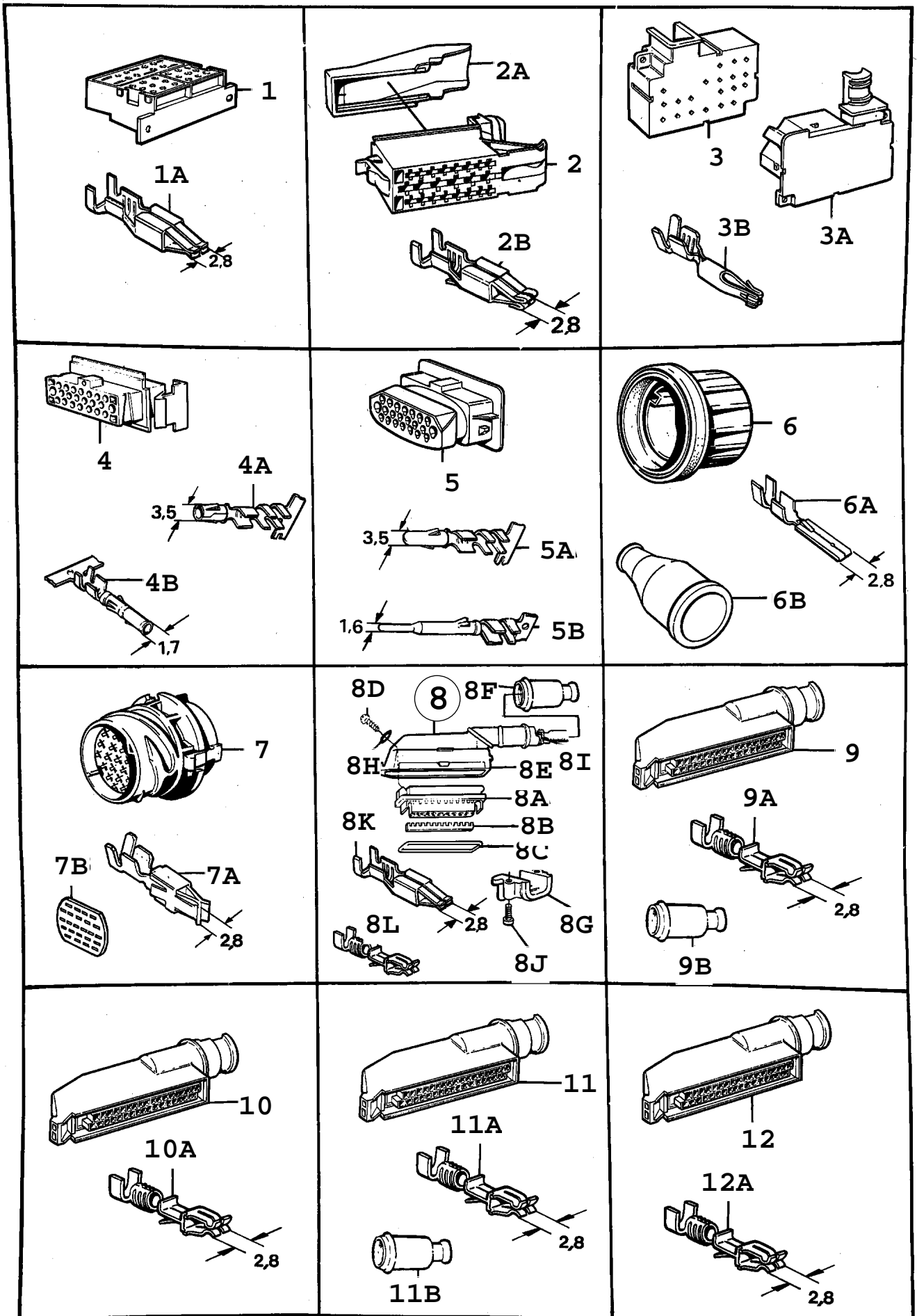
Rep.	N° de pièce	Article	Usage	Qté
1	85 21 718	Boîtier contact 7-poles, broche	JOINT PIECE CABLE HAR- NESS DOORS, JOINT PIECE	X
1A	85 82 603	Cosse	AREA, 0, 5-2, 0 MM2	X
1B	85 93 964	Cosse	AREA, 0, 5-1, 5 MM2	X
2	40 61 479	Boîtier contact 7-poles, douille	VALVES ABS	X
2A	40 61 586	Cosse	AREA, 1, 0-2, 5 MM2	X
3	85 44 363	Boîtier contact 8-poles, douille	SWITCH LIGHT	X
3A	85 60 476	Cosse	AREA, 0, 9-2, 0 MM2	X
3A	85 41 211	Cosse	AREA, 2, 5-4, 0 MM2	X
4	91 24 090	Boîtier contact 8-poles, douille	SWITCH REAR DEMIST, DCC SWITCH SUN ROOF REGULA- TOR, TOW HOOK, TRUNK LID SWITCH CENTRAL LOCK ON/OFF, JOINT PIECE CABLE HARNESS ROOF	X
4A	91 20 791	Cosse	AREA, 2, 5-4, 0 MM2	X
4B	95 68 775	Isolant	NLS	X
5	41 17 768	Boîtier de connecteur 8-poles, broche	HEATING PAD, JOINT PIECE MAIN CABLE HAR- NESS	X
5A	41 15 580	Cosse	AREA, 1, 0-2, 5 MM2	X
6	95 03 525	Boîtier contact 8-poles, douille	SWITCH WINDOW REGULATOR	X
6A	85 82 090	Cosse	AREA, 0, 5-1, 5 MM2	X
7	95 12 930	Boîtier contact 9-poles, douille	LOCK STEERING COLUMN	X
7A	95 09 746	Cosse	AREA, 0, 5-1, 5 MM2	X
8	91 23 399	Boîte connexion 10-poles, douille	SWITCH AC, RECIRKULATION AC, RADIO, FOG LIGHT EXTRA, REOSTAT ELPAD HEADLIGHT LEVELLING TEST CONNECTOR AIR-BAG JOINT PIECE, REOSTAT LIGHT INSTEP, BOOT LID JOINT PIECE REAR CABLE HARNESS, JOINT PIECE	X
8A	91 20 668	Cosse	AREA, 0, 75-1, 5 MM2, NLS-USE 30520560	X
8A	91 20 957	Cosse	AREA, 1, 0-2, 5 MM2, NLS-USE 30520560	X
8B	95 68 775	Isolant	NLS	X
9	41 14 005	Boîtier de connecteur 10-poles, douille	ABS, JOINT PIECE CABLE HARNESS FRONT, BULB CONTROL, JOINT PIECE MAIN CABLE HAR- NESS, DI-CASSETTE	X
9A	40 61 586	Cosse	AREA, 1, 0-2, 5 MM2	X
10	41 14 054	Boîtier de connecteur 10-poles, broche	JOINT PIECE MAIN CABLE HARNESS, JOINT PIECE ENGINE	X
10A	41 15 192	Cosse	AREA, 1, 0-2, 5 MM2	X
11	41 17 461	Boîte connexion 10-poles, broche	DIAGNOS ENGINE, JOINT PIECE CABLE HARNESS ROOF, RADIO, JOINT PIECE JOINT PIECE MAIN CABLE HARNESS	X

Rep.	N° de pièce	Article	Usage	Qté
11A	41 15 077	Cosse	AREA, 1, 0 2, 5 MM2, NLS-USE 12789934	X
11A	41 15 085	Cosse	AREA, 1, 0 2, 5 MM2	X
12	95 29 512	Boîtier contact 12-poles, broche	JOINT PIECE MAIN CABLE HARNESS/AIR-BAG	X
12A	95 26 401	Cosse	AREA, 0, 2-0, 56 MM2	X



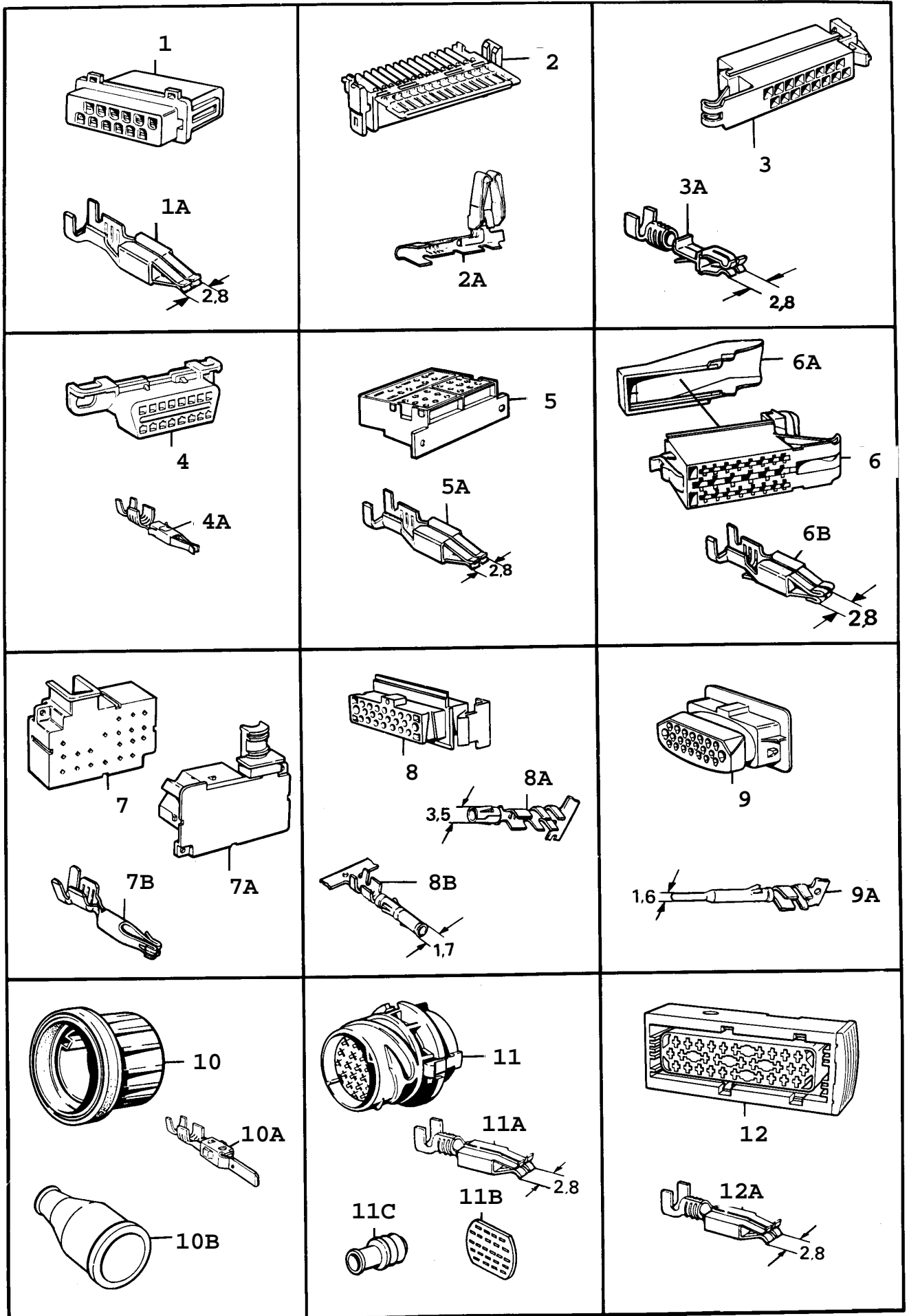
Rep.	N° de pièce	Article	Usage	Qté
1	95 03 319	Boîtier contact 2-poles, douille	EL. WINDOW REGULATOR CENTRAL LOCK, DOOR INDICATOR, STD FAN SOLENOID VALVE APC WASHER PUMP, LEVEL SWITCH, WASHER MOTOR FAN MOTOR, FAN AC, OIL LEVEL, JOINT PIECE SWITCH BACK-UP LIGHT OUTER TEMP, LOCK INDICA- TOR, PRESSURE SWITCH GEAR INDICATOR RECIRCULATION	X
1A	78 74 506	Connexion		X
2	85 93 915	Boîtier contact 2-poles, broches	THERMO SWITCH	X
2A	85 21 593	Cosse	AREA, 0, 5-1, 5 MM2	X
2B	85 22 617	Cosse	AREA, 1, 0-2, 6 MM2	X
2C	85 71 382	Protection		X
3	91 24 157	Boîtier contact 2-poles, douille	LIGHT MIRROR, JOINT PIECE, ACC, MOTOR CENTRAL LOCK COVER FUEL FILLING, SUN SENSOR INNER TEMP	X
3A	91 20 775	Cosse	AREA, 0, 5-1, 0 MM2	X
3A	91 20 783	Cosse	AREA, 1, 0-2, 5 MM2	X
4	95 01 685	Boîtier contact 2-poles, broches	JOINT PIECE	X
4A	78 74 506	Connexion		X
5	95 06 643	Boîtier contact 2-poles, douille	MIXING TEMP ACC	X
5A	85 87 552	Cosse	AREA 0, 5-1, 5 MM2	X
6	71 55 104	Boîtier contact	JOINT PIECE	X
6A	85 82 637	Cosse	AREA 0, 8-2, 1 MM2	X
6B	85 41 203	Cosse	AREA 0, 5-1, 5 MM2, NLS-USE 8560476	X
7	85 58 538	Boîtier contact 2-poles, douille	FEED PUMP, CIGARETTE LIGHTER, ELECTRONIC UNIT BELT TENSIONER	X
7A	85 03 476	Cosse	AREA 1, 0-2, 5 MM2, NLS	X
7B	85 82 454	Cosse	AREA 0, 5-1, 5 MM2	X
7B	71 55 153	Cosse	AREA 0, 8-2, 1 MM2, NLS-USE 8522534	X
8	85 74 949	Boîtier contact 2-poles, douille	SPEED SENSOR	X
8A	85 41 203	Cosse	AREA 0, 5-1, 5 MM2, NLS-USE 8560476	X
9	95 02 998	Boîtier contact 2-poles, broches	JOINT PIECE, NLS-USE 4069829	X
9A	71 55 062	Cosse	AREA 0, 8-2, 5 MM2, NLS-USE 8522542	X
11	71 55 021	Boîtier contact 3-poles, douille	HEADLIGHT	X
11A	85 82 413	Cosse	AREA, 1, 3-3, 4 MM2	X
11B	85 52 721	Protège-câble		X
12	85 64 916	Boîtier contact 3-poles, douille	JOINT PIECE	X

Rep.	N° de pièce	Article	Usage	Qté
12A	85 44 298	Cosse	AREA, 0, 5-2, 0 MM2, NLS-USE 8582595	X



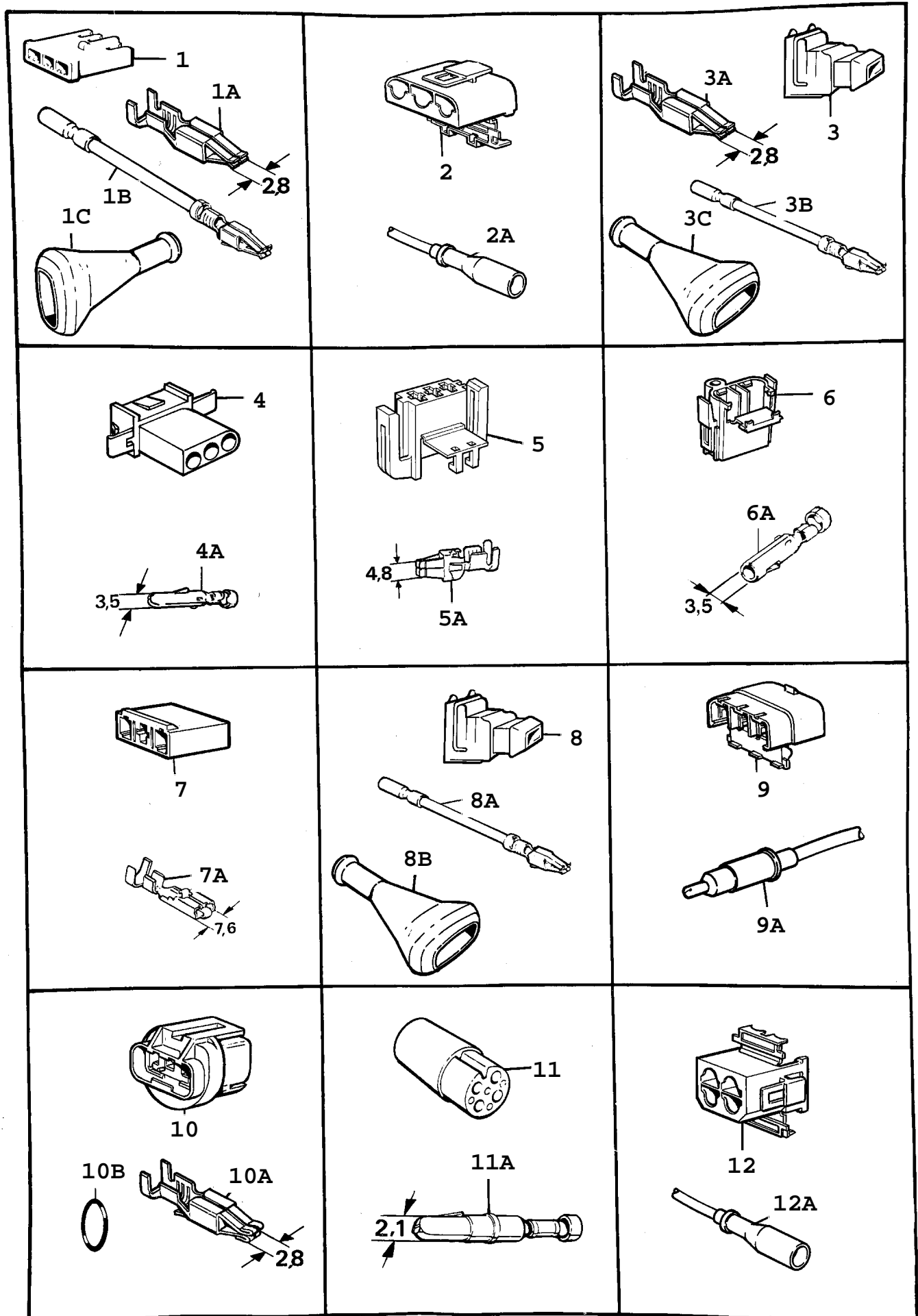
Rep.	N° de pièce	Article	Usage	Qté
1	91 25 543	Boîtier contact 18-poles, douille	EL-DISTRIBUT. UNIT	X
1A	91 20 791	Cosse	AREA, 2, 5-4, 0	X
2	40 60 893	Boîtier contact 19-poles, douille	SWITCH CENTRE CONSOLE	X
2A	40 67 617	Capot		X
2B	91 20 957	Cosse	AREA, 1, 0-2, 5 MM2, NLS-USE 30520560	X
3	95 27 755	Boîtier contact 20-poles, douille	ELECTRONIC UNIT AIR-BAG	X
3A	95 27 763	Boîtier contact		X
3B	95 27 771	Cosse	AREA, 0, 5 MM2	X
4	95 25 106	Boîtier contact 22-poles, douille	JOINT PIECE FRONT DOORS	X
4A	85 82 595	Cosse	AREA, 0, 5-2, 0 MM2	X
4B	85 87 552	Cosse	AREA, 0, 5-1, 5 MM2	X
5	95 25 114	Boîtier contact 22-poles, broche	JOINT PIECE DOORS	X
5A	85 82 603	Cosse	AREA, 2, 0-4, 0 MM2	X
5B	85 93 964	Cosse	AREA, 0, 8-1, 5 MM2	X
6	40 60 877	Boîtier contact 24-poles, broche	JOINT PIECE MAIN CABLE HARNESS	X
6A	40 63 376	Cosse	AREA, 1, 0-2, 5 MM2	X
6B	41 11 308	Protection en caoutchouc		X
6C	45 88 349	Anneau verrouillage		X
7	40 60 885	Boîtier contact 24-poles, douille	JOINT PIECE CABLE HARNESS ENGINE, NLS-USE 4176244	X
7A	40 61 586	Cosse	AREA, 1, 0-2, 5 MM2	X
7B	43 52 936	Joint		X
8	85 79 930	Boîtier contact 25-poles, douille	ELECTRONIC UNIT LH, NLS	X
8A	85 87 420	*Boîtier contact		1
8B	85 87 438	*Gâche		1
8C	85 87 453	*Joint		1
8D	85 87 487	*Vis		1
8E	85 87 412	*Capot	NLS	1
8F	85 87 446	*Bague	NLS	1
8G	85 87 495	*Support	NLS	1
8H	85 87 461	*Joint		1
8I	85 58 256	*Ruban serrage	NLS-USE 7971872	1
8J	79 71 351	*Vis		2
8K	85 21 593	Cosse	AREA, 0, 5-1, 5 MM2	X
8L	91 20 668	Cosse	AREA, 0, 75-1, 5 MM2, NLS-USE 30520560	X
9	91 25 519	Boîtier contact 35-poles, douille	ELECTRONIC UNIT LH	X
9A	91 20 668	Cosse	AREA, 0, 75-1, 5 MM2, NLS-USE 30520560	X
9B	85 87 511	Protection en caoutchouc		X
10	40 68 441	Boîtier contact 35-poles, douille	ELECTRONIC UNIT ABS	X
10A	91 20 957	Cosse	AREA, 1, 0-2, 5 MM2, NLS-USE 30520560	X

Rep.	N° de pièce	Article	Usage	Qté
11	95 66 266	Boîtier contact 38-poles, douille	ELECTRONIC UNIT APC/DI, NLS-USE 4109310	X
11A	91 20 668	Cosse	AREA, 0, 75-1, 5 MM2, NLS-USE 30520560	X
11B	91 20 106	Protection		X
12	40 68 888	Boîtier contact 38-poles, douille	ELECTRONIC UNIT ETS	X
12A	91 20 957	Cosse	AREA, 1, 0-2, 5 MM2, NLS-USE 30520560	

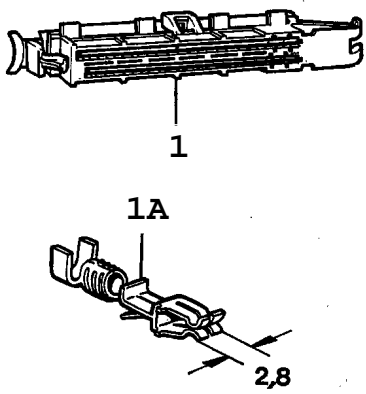
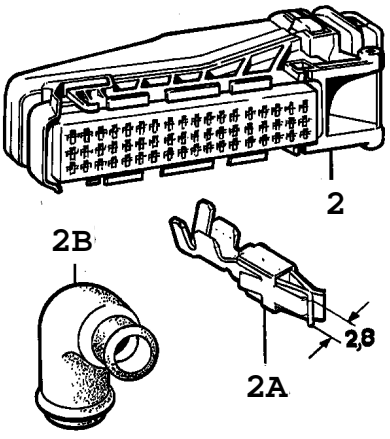


F6422 CAC94

Rep.	N° de pièce	Article	Usage	Qté
1	95 25 031	Boîtier contact 12-poles, douille	CONTROL UNIT ACC, ELECT- RONIC UNIT CENTRAL LOCK	X
1A	91 20 957	Cosse	AREA, 1, 0-2, 5 MM2, NLS-USE 30520560	X
2	95 03 020	Boîtier contact 14-poles, douille	INSTRUMENTS	X
2A	95 05 397	Cosse	AREA, 1, 5-2, 5 MM2	X
3	95 66 282	Boîtier contact 16-poles, douille	ELECTRONIC UNIT THEFT ALARM, EAS WITH MEMORY	X
3A	91 20 668	Cosse	AREA, 0, 75-1, 5 MM2, NLS-USE 30520560	X
3A	91 20 957	Cosse	AREA, 1, 0-2, 5 MM2, NLS-USE 30520560	X
4	42 24 606	Boîtier de connecteur 16-poles, douille	DIAGNOS	X
4A	41 15 499	Cosse	AREA, 0, 5-1, 0 MM2, NLS-USE 12790414	X
5	91 25 543	Boîtier contact 18-poles, douille	EL-DISTRIBUT. UNIT	X
5A	91 20 791	Cosse	AREA, 2, 5-4, 0 MM2	X
6	40 60 893	Boîtier contact 19-poles, douille	SWITCH CENTRE CONSOLE	X
6A	40 67 617	Capot		X
6B	91 20 957	Cosse	AREA, 1, 0-2, 5 MM2, NLS-USE 30520560	X
7	95 27 755	Boîtier contact 20-poles, douille	ELECTRONIC UNIT AIR-BAG	X
7A	95 27 763	Boîtier contact		X
7B	95 27 771	Cosse	AREA, 0, 5 MM2	X
8	95 25 106	Boîtier contact 22-poles, douille	JOINT PIECE FRONT DOORS	X
8A	85 82 595	Cosse	AREA, 0, 5-2, 0 MM2	X
8B	85 87 552	Cosse	AREA, 0, 5-1, 5 MM2	X
9	95 25 114	Boîtier contact 22-poles, broche	JOINT PIECE DOORS	X
9A	85 93 964	Cosse	AREA, 0, 8-1, 5 MM2	X
10	41 74 868	Boîtier de connecteur 24-poles, broche	JOINT PIECE MAIN CABLE HARNESS, JOINT PIECE CABLE HARNESS FRONT	X
10A	41 15 192	Cosse	AREA, 1, 0-2, 5 MM2	X
10B	41 11 308	Protection en caoutchouc		X
10C	45 88 349	Anneau verrouillage		X
11	41 76 244	Boîtier de connecteur 24-poles, douille	JOINT PIECE CABLE HARNESS ENGINE	X
11A	40 61 586	Cosse	AREA, 1, 0-2, 5 MM2	X
11B	43 52 936	Joint		X
11C	40 61 958	Joint	BLIND PLUG, NLS-USE 12798370	X
11C	40 61 966	Joint	1,2-2,0 MM	X
11C	40 61 974	Joint	2,1-2,0 MM	X
12	41 14 609	Boîtier de connecteur 29-poles, douille	DIAGNOSTIC UNIT AIR-BAG	X
12A	91 20 957	Cosse	AREA, 1, 0-2, 5 MM2, NLS-USE 30520560	X



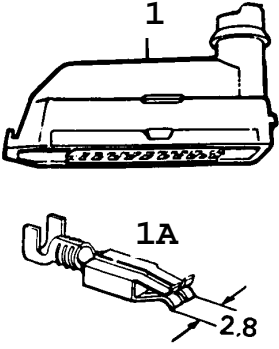
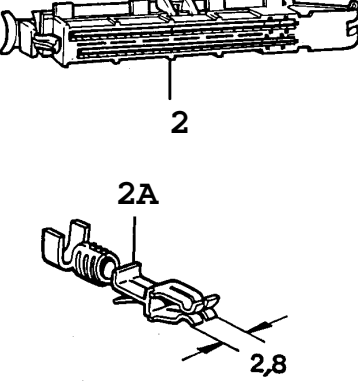
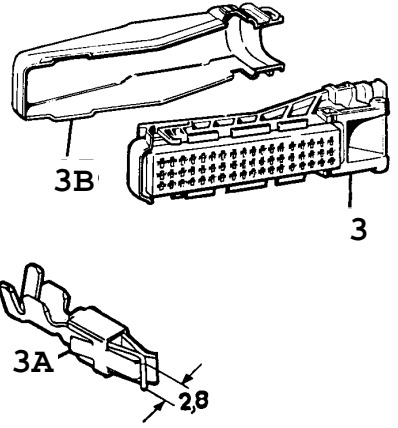
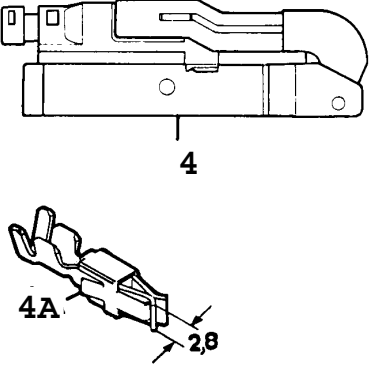
Rep.	N° de pièce	Article	Usage	Qté
1	85 74 097	Boîtier contact 3-poles, broche	DISTRIBUTOR	X
1A	85 21 593	Cosse	AREA, 0, 5-1, 5 MM2	X
1B	85 22 617	Cosse	AREA, 1, 0-2, 6 MM2	X
1C	85 74 105	Protection	NLS	X
2	95 03 277	Boîtier contact 3-poles, douille	SPEED CONTROL, HEADLIGHT WIPERS, WIPER MOTOR, LEVEL CONTROL, JOINT PIECE	X
2A	78 74 498	Connexion		X
3	85 93 907	Boîtier contact 3-poles, douille	THROTTLE SWITCH	X
3A	85 21 593	Cosse	AREA, 0, 5-1, 5 MM2	X
3B	85 22 617	Cosse	AREA, 1, 0-2, 6 MM2	X
3C	85 79 955	Protection		X
4	85 64 924	Boîtier contact 3-poles, broche	JOINT PIECE, NUMBER PLATE LIGHT	X
4A	85 44 314	Cosse	AREA 0, 5-2, 0 MM2, NLS-USE 8582603	X
4A	85 44 322	Cosse	AREA 2, 0-4, 0 MM2	X
5	91 24 165	Boîtier contact 3-poles, douille	JOINT PIECE, FUEL LEVEL TRANSMITTER, LIGHT ASH TRAY REAR, ELECTRONIC UNIT REOSTAT, CLOCK	X
5A	91 20 775	Cosse	AREA 0, 5-1, 0 MM2	X
5A	91 20 783	Cosse	AREA 1, 0-2, 5 MM2	X
6	95 03 293	Boîtier contact 3-poles, douille	DIRECTION LIGHT, PARKING LIGHT, DAY RUNNING LIGHT	X
6A	85 44 298	Cosse	AREA 1, 0-2, 5 MM2, NLS-USE 8582595	X
7	95 07 658	Boîtier contact 3-poles, douille	SWITCH INNER LIGHT	X
7A	91 20 775	Cosse	AREA 0, 5-1, 5 MM2	X
7A	85 41 203	Cosse	AREA 0, 5-1, 5 MM2, NLS-USE 8560476	X
8	85 93 923	Boîtier contact 3-poles, douille	IDLE COMPENSATOR	X
8A	85 22 617	Cosse	AREA 1, 0-2, 6 MM2	X
8B	85 79 955	Protection		X
9	95 03 327	Boîtier contact 3-poles, broche	JOINT PIECE	X
9A	78 74 506	Connexion		X
10	95 14 803	Boîtier contact 3-poles, douille	LHD, US, HEADLIGHT	X
10A	95 08 748	Cosse	AREA, 1, 5-2, 5 MM2, NLS-USE 30520560	X
10B	95 14 811	Protection		X
11	85 30 099	Boîtier contact 4-poles, douille	ELECTRIC MIRROR	X
11A	85 22 583	Cosse	AREA, 0, 5-1, 0 MM2 (8503153)	X
12	95 03 434	Boîtier contact 4-poles, douille	CONTROL UNIT ACC PRESSURE SWITCH	X
12A	78 74 498	Connexion		X

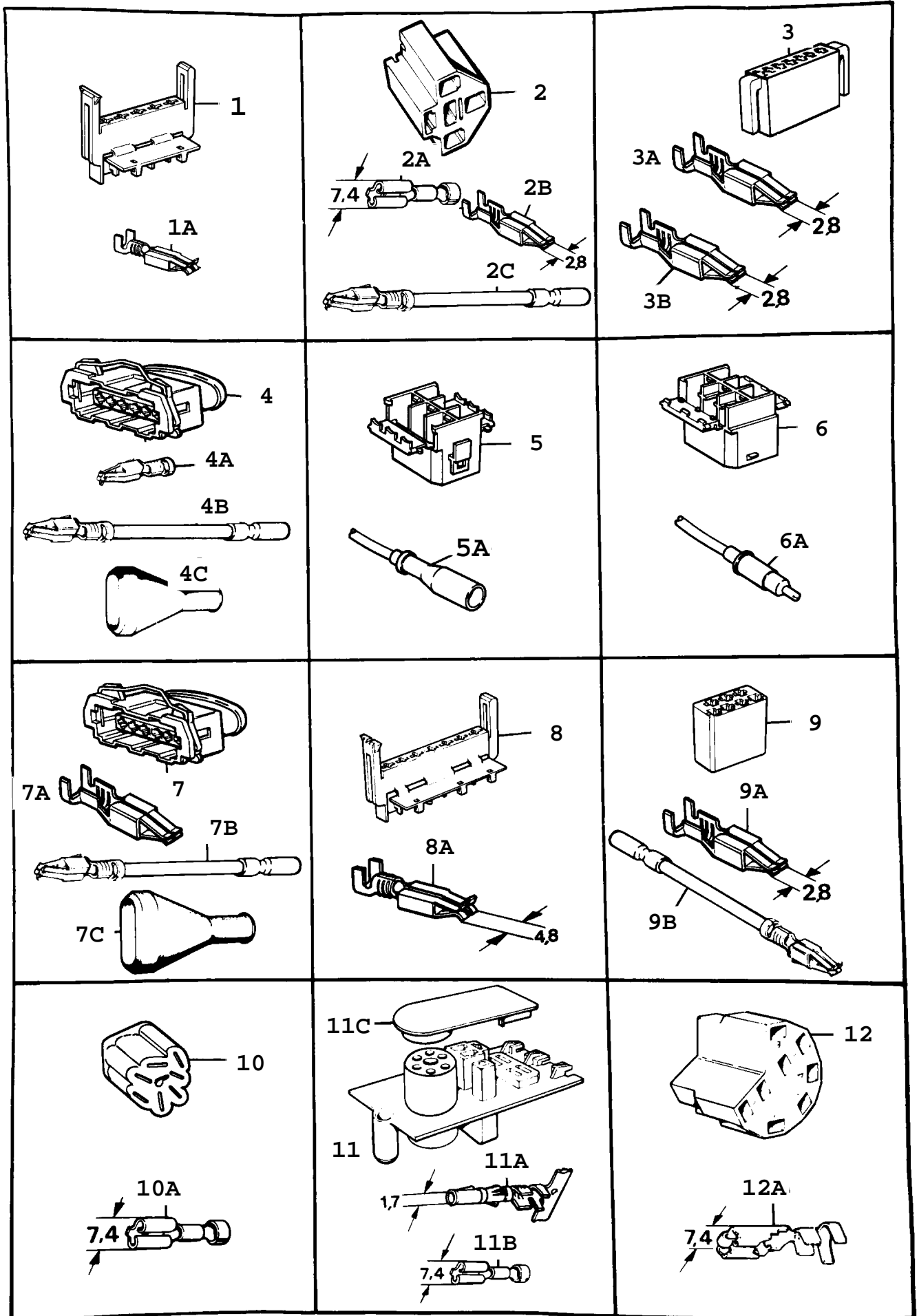
**9000 / 03B Système électrique, boîte de connexion
0320 Conduites et fusibles - Connecteur, etc (1990)**

Liste des pièces détachées EPC

Rep.	N° de pièce	Article	Usage	Qté
1	95 65 045	Boîtier contact 39-poles, douille	ELECTRONIC UNIT ACC, EDU	X
1A	40 63 970	Cosse	AREA, 0, 5-1, 0 MM2	X
1A	91 20 957	Cosse	AREA, 1, 0-2, 5 MM2, NLS-USE 30520560	X
2	40 61 446	Boîtier contact 55-poles, douille	ELECTRONIC UNIT ABS/TCS	X
2A	40 61 586	Cosse	AREA, 1, 5-2, 5 MM2	X
2B	40 67 492	Protection		X

 <p>1</p> <p>1A</p> <p>2,8</p>	 <p>2</p> <p>2A</p> <p>2,8</p>	 <p>3B</p> <p>3</p> <p>3A</p> <p>2,8</p>
 <p>4</p> <p>4A</p> <p>2,8</p>		

Rep.	N° de pièce	Article	Usage	Qté
1	41 75 428	Boîtier de connecteur 38-poles, douille	ELECTRONIC UNIT ETS	X
1A	91 20 957	Cosse	AREA, 1, 0-2, 5 MM2, NLS-USE 30520560	X
2	95 65 045	Boîtier contact 39-poles, douille	ELECTRONIC UNIT ACC, EDU	X
2A	40 63 970	Cosse	AREA, 0, 5-1, 0 MM2	X
2A	91 20 957	Cosse	AREA, 1, 0-2, 5 MM2, NLS-USE 30520560	X
3	41 76 236	Boîtier contact 55-poles, douille	ELECTRONIC UNIT ABS TCS	X
3A	40 61 586	Cosse	AREA, 1, 5-2, 5 MM2	X
3B	40 61 461	Capot		X
4	41 76 616	Boîtier de connecteur 70-poles, douille	ELECTRONIC UNIT TRIONIC	X
4A	43 54 353	Cosse	AREA, 0, 5-1, 0 MM2	X
4A	40 61 586	Cosse	AREA, 1, 5-2, 5 MM2	X

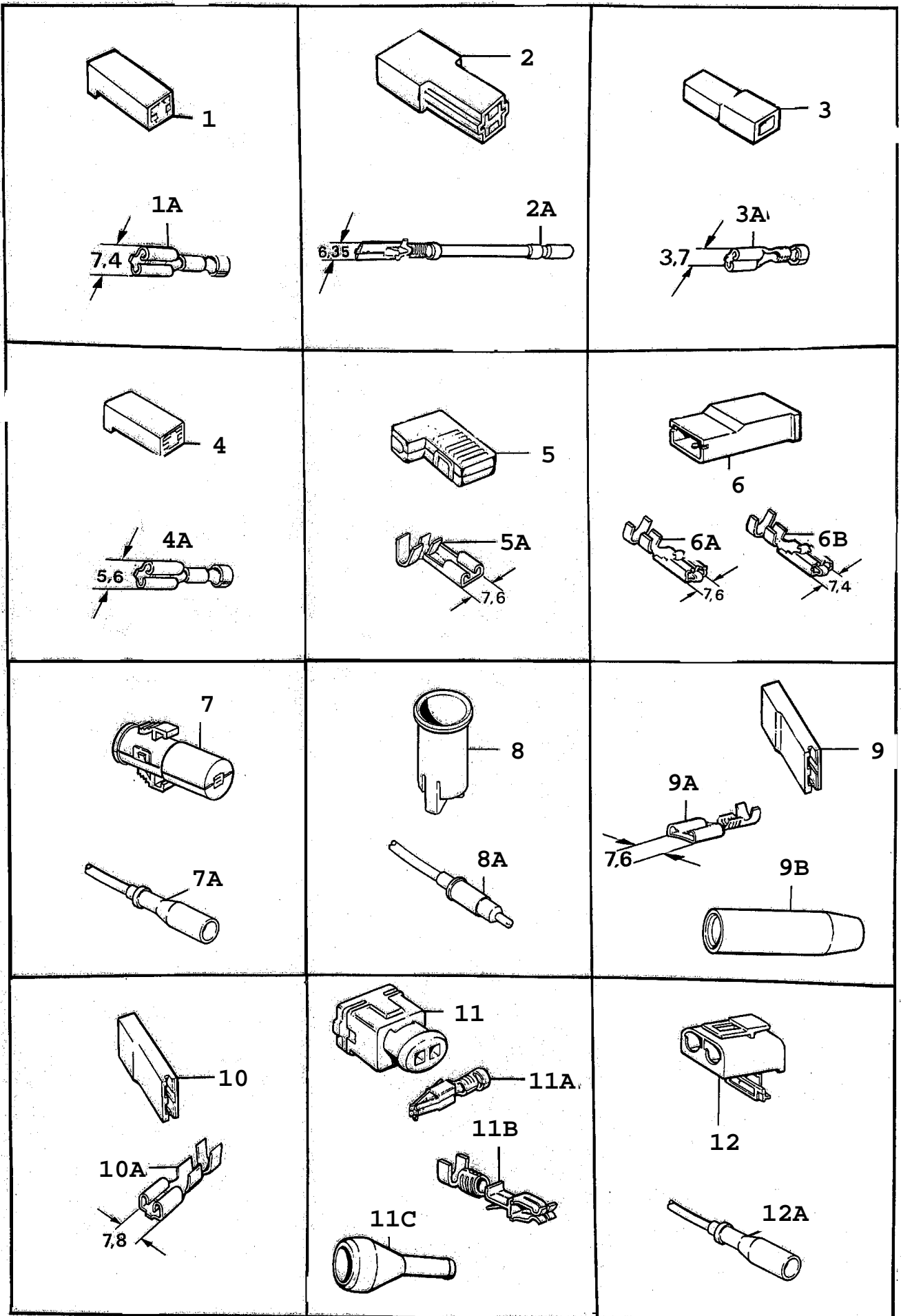


Rep.	N° de pièce	Article	Usage	Qté
1	91 22 789	Boîtier contact 5-poles, douille	RESISTOR HEATING FAN	X
1A	91 20 767	Cosse	AREA, 4, 0-6, 0 MM2	X
2	85 33 697	Boîtier contact 5-poles, douille	RELAY WINDOW REGULATOR TIME RELAY COOLING FAN, GEAR INDICATOR, REAR FOG LIGHT EXTRA	X
2A	79 71 708	Cosse	AREA, 0, 5-1, 5 MM2	X
2A	79 72 029	Cosse	AREA, 1, 0-2, 5 MM2, NLS-USE 8522534	X
2A	79 68 068	Cosse	AREA, 4, 0-6, 0 MM2	X
2B	91 20 775	Cosse	AREA, 0, 5-1, 0 MM2	X
2C	85 22 617	Cosse	AREA, 1, 0-2, 6 MM2	X
3	91 24 173	Boîtier contact 5-poles, douille	GEAR INDICATOR, JOINT PIECE	X
3A	91 20 775	Cosse	AREA, 0, 5-1, 0 MM2	X
3B	91 20 783	Cosse	AREA, 1, 0-2, 5 MM2	X
4	85 93 931	Boîtier contact 6-poles, douille	AIR MESS METER LH	X
4A	85 21 593	Cosse	AREA, 0, 5-1, 5 MM2	X
4B	85 22 617	Cosse	AREA, 1, 0-2, 6 MM2	X
4C	85 82 082	Protection		X
5	95 03 475	Boîtier contact 6-poles, douille	JOINT PIECE	X
5A	78 74 498	Connexion		X
6	95 06 668	Boîtier contact 6-poles, broche	JOINT PIECE	X
6A	78 74 506	Connexion		X
7	85 93 949	Boîtier contact 7-poles, douille	ELECTRONIC UNIT IGNITION SYSTEM	X
7A	85 21 593	Cosse	AREA, 0, 5-1, 5 MM2	X
7B	85 22 617	Cosse	AREA, 1, 0-2, 6 MM2	X
7C	85 74 048	Protection	NLS	X
8	91 22 797	Boîtier contact 7-poles, douille	THEFT ALARM, SWITCH DIRECTION INDICATOR, SWITCH SPEED CONTROL TAIL LIGHT	X
8A	91 20 775	Cosse	AREA, 0, 5-1, 0 MM2	X
8A	91 20 791	Cosse	AREA, 2, 5-4, 0 MM2	X
9	91 23 381	Boîtier contact 7-poles, douille	SWITCH ELECTRIC MIRROR	X
9A	85 21 593	Cosse	AREA, 0, 5-1, 5 MM2	X
9B	85 22 617	Cosse	AREA, 1, 0-2, 6 MM2	X
10	95 03 251	Boîtier contact 7-poles, douille	HEATING FAN	X
10A	79 72 029	Cosse	AREA, 1, 0-2, 5 MM2, NLS-USE 8522534	X
11	95 12 591	Contact 7-poles, douille	TEST CONNECTOR	X
11A	85 87 552	Cosse	AREA, 0, 5-1, 5 MM2	X
11A	85 87 560	Cosse	AREA, 1, 0-2, 5 MM2	X
11B	85 82 454	Cosse	AREA, 0, 5-1, 05MM2	X
11C	95 20 974	Couvercle		X

**9000 / 03B Système électrique, boîte de connexion
0340 Conduites et fusibles - Connecteur, etc (1986)**

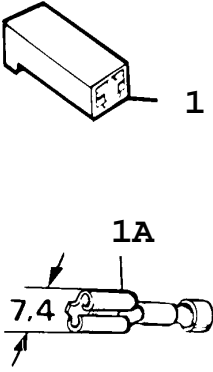
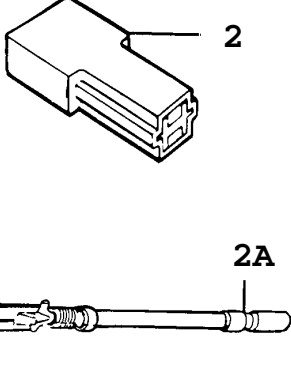
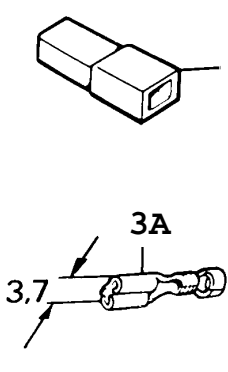
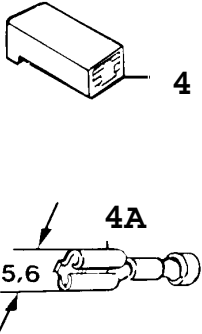
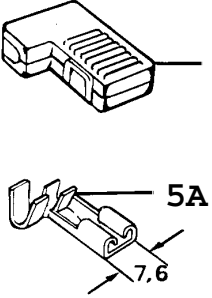
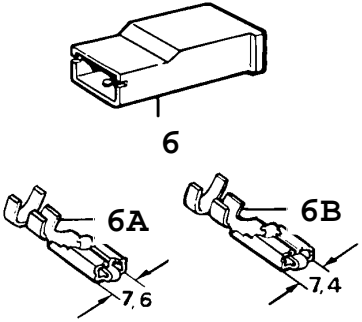
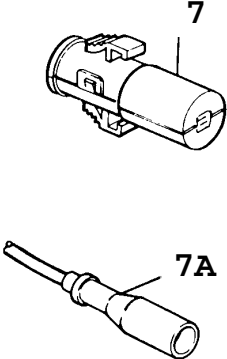
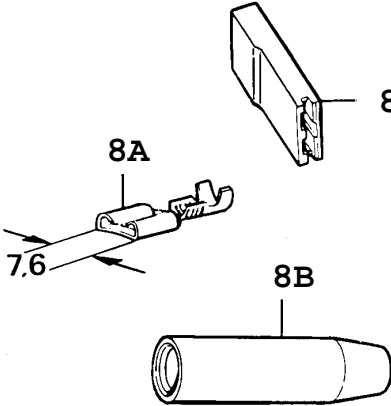
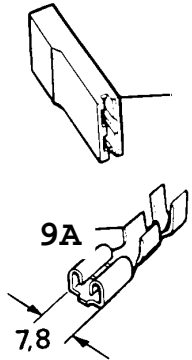
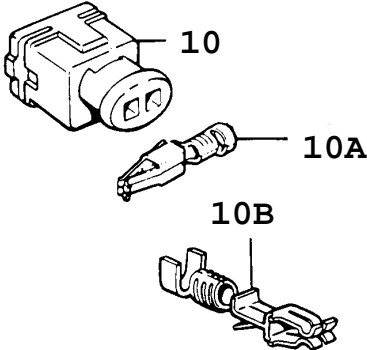
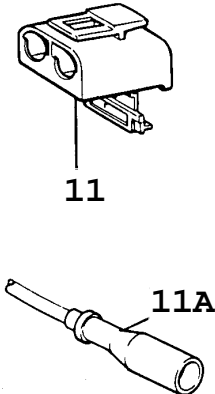
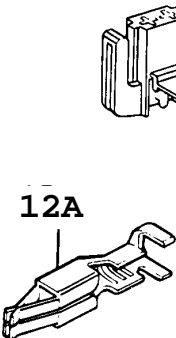
Liste des pièces détachées EPC

Rep.	N° de pièce	Article	Usage	Qté
12	85 44 363	Boîtier contact 8-poles, douille	SWITCH REAR FOGLIGHT	X
12A	85 41 203	Cosse	AREA, 0, 5-1, 5 MM2, NLS-USE 8560476	X
12A	85 41 211	Cosse	AREA, 2, 5-4, 0 MM2	X



Rep.	N° de pièce	Article	Usage	Qté
1	71 55 112	Boîtier contact 1-poles, douille	IGNITION PULS, LIGHT GEAR INDICATOR, MAKE- UP MIRROR, HIGH MOUNTED STOP LIGHT	X
1A	79 71 708	Cosse	AREA, 0, 5-1, 5 MM2	X
2	71 55 120	Boîtier contact 1-poles, broche	EL-MIRROR, EL-CENTRAL	X
2A	85 22 542	Cosse	AREA, 1, 0-2, 6 MM2	X
3	85 30 115	Boîtier contact 1-poles, broche	LOUDSPEAKER	X
3A	85 30 107	Cosse	AREA, 0, 5-1, 0 MM2	X
4	85 33 184	Boîtier contact 1-poles, broche	LOUDSPEAKER	X
4A	85 82 439	Cosse	AREA, 0, 5-1, 5 MM2	X
5	85 21 692	Boîtier contact 1-poles, douille	IGNITION COIL, SWITCH BRAKE LIGHT, LIGHT ASH TRAY, REAR DEMIST ENGINE COMPARTMENT LIGHT	X
5A	85 22 526	Cosse	AREA, 0, 5-1, 5 MM2	X
5A	85 21 684	Cosse	AREA, 1, 0-2, 5 MM2, NLS-USE 8522526	X
6	85 41 229	Douille d'isolation 1-poles, broche	SPOTLIGHT, SAFETY BELT WARNING, SWITCH SPOT- LIGHT, LIGHT INSTEP SPEED CONTROL, LIGHT NUMBER PLATE, GLOVE COMPARTMENT LIGHT	X
6A	85 41 203	Cosse	AREA, 0, 5-1, 5 MM2, NLS-USE 8560476	X
6B	85 60 476	Cosse	AREA, 0, 9-2, 0 MM2	X
7	95 03 418	Boîte connexion 1-poles, douille	COMPRESSOR, JOINT PIECE	X
7A	85 47 796	Bloc connexion		X
8	95 03 426	Boîte connexion 1-poles, broche	IGNITION SYSTEM	X
8A	85 47 770	Bloc connexion		X
9	85 16 916	Isolant 1-poles, douille	THERMO CONTACT, LIGHT ASH TRAY, SWITCH HORN, HORN, LIGHT LUGGAGE COM- PARTMENT, THEFT ALARM SWITCH HAND BRAKE, JOINT EXTRA LIGHT WARNING STARTER MOTOR	X
9A	71 55 716	Cosse	AREA, 0, 5-1, 5 MM2	X
9A	85 14 036	Cosse	AREA, 1, 5-2, 5 MM2	X
9B	95 69 997	Protection		X
10	83 78 630	Boîtier contact 2-poles, douille	PEDAL CONTACT	X
10A	85 22 575	Câblage	AREA, 0, 5-1, 4 MM2	X

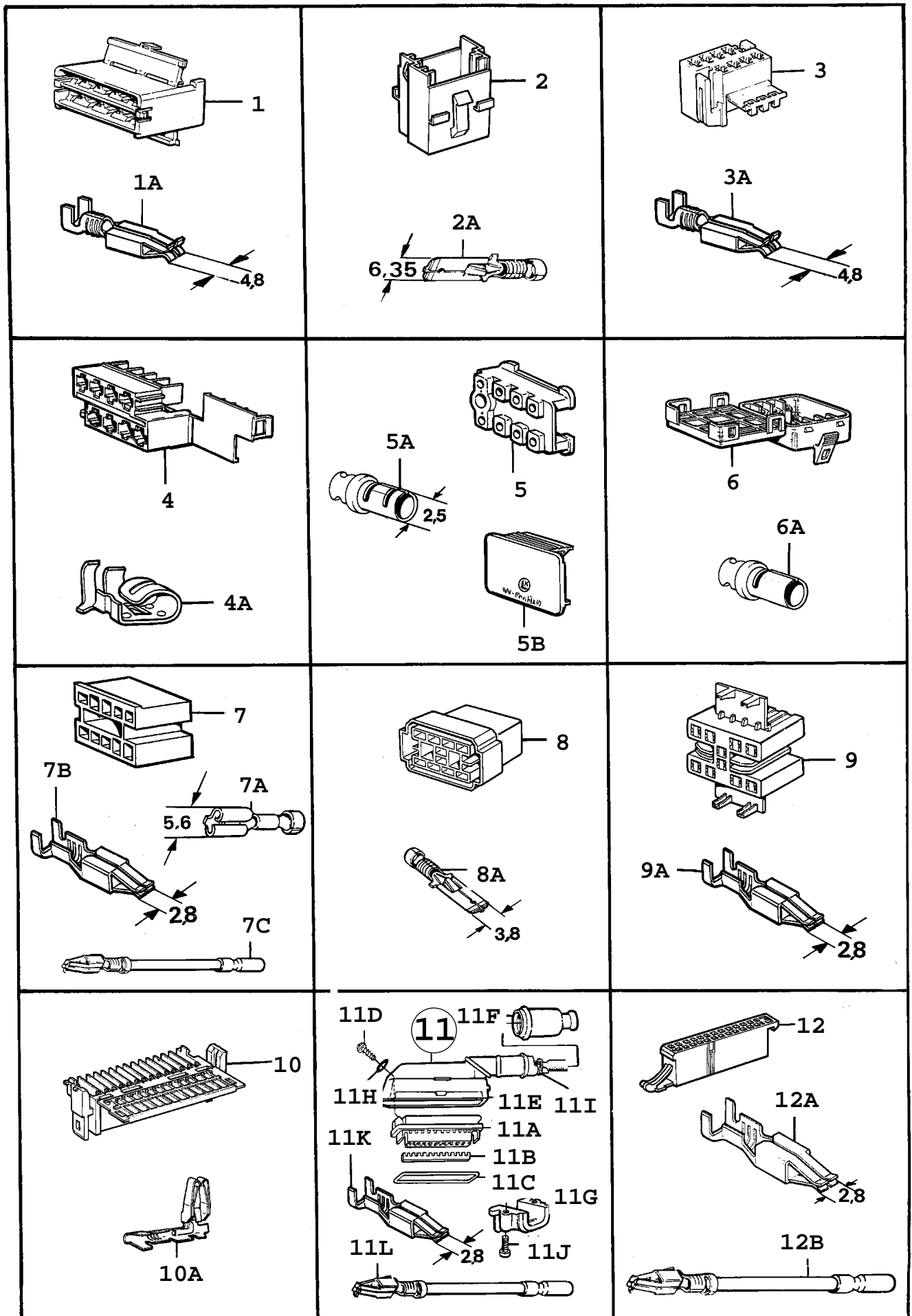
Rep.	N° de pièce	Article	Usage	Qté
11	85 93 899	Boîtier contact 2-poles, douille	AUXILIARY AIR VALVE INJECTION VALVE, KNOCK SENSOR, FUEL SYSTEM PREHEATING LAMBDA, MAIN VALVE, VENTILATION, DUMP VALVE, COLD START VALVE BY-PASS, TEMP SENSOR	X
11A	85 21 593	Cosse	AREA, 0, 5-1, 5 MM2	X
11B	91 20 668	Cosse	AREA, 0, 75-1, 5 MM2, NLS-USE 30520560	X
11C	85 21 619	Protection		X
12	95 03 319	Boîtier contact 2-poles, douille	EL. WINDOW REGULATOR CENTRAL LOCK, STD FAN, WASHER PUMP, LEVEL SWITCH, WASHER MOTOR FAN MOTOR, FAN AC JOINT PIECE, OUTER TEMP LEVEL SWITCH, MICRO SWITCH, FAN, FOG LIGHT EXTRA, ABS, SWITCH, HORN SWITCH BRAKE LIGHT, BY- PASS, APC DISSANGAGEMENT THEFT ALARM, JOINT PIECE TRUNK LID, DOOR FAN	X
12A	85 47 796	Bloc connexion		X

 <p>1</p> <p>1A</p> <p>7.4</p>	 <p>2</p> <p>2A</p> <p>6.35</p>	 <p>3</p> <p>3A</p> <p>3.7</p>
 <p>4</p> <p>4A</p> <p>5.6</p>	 <p>5</p> <p>5A</p> <p>7.6</p>	 <p>6</p> <p>6A</p> <p>6B</p> <p>7.6</p> <p>7.4</p>
 <p>7</p> <p>7A</p>	 <p>8</p> <p>8A</p> <p>8B</p> <p>7.6</p>	 <p>9</p> <p>9A</p> <p>7.8</p>
 <p>10</p> <p>10A</p> <p>10B</p>	 <p>11</p> <p>11A</p>	 <p>12</p> <p>12A</p>

F6424 CAC94

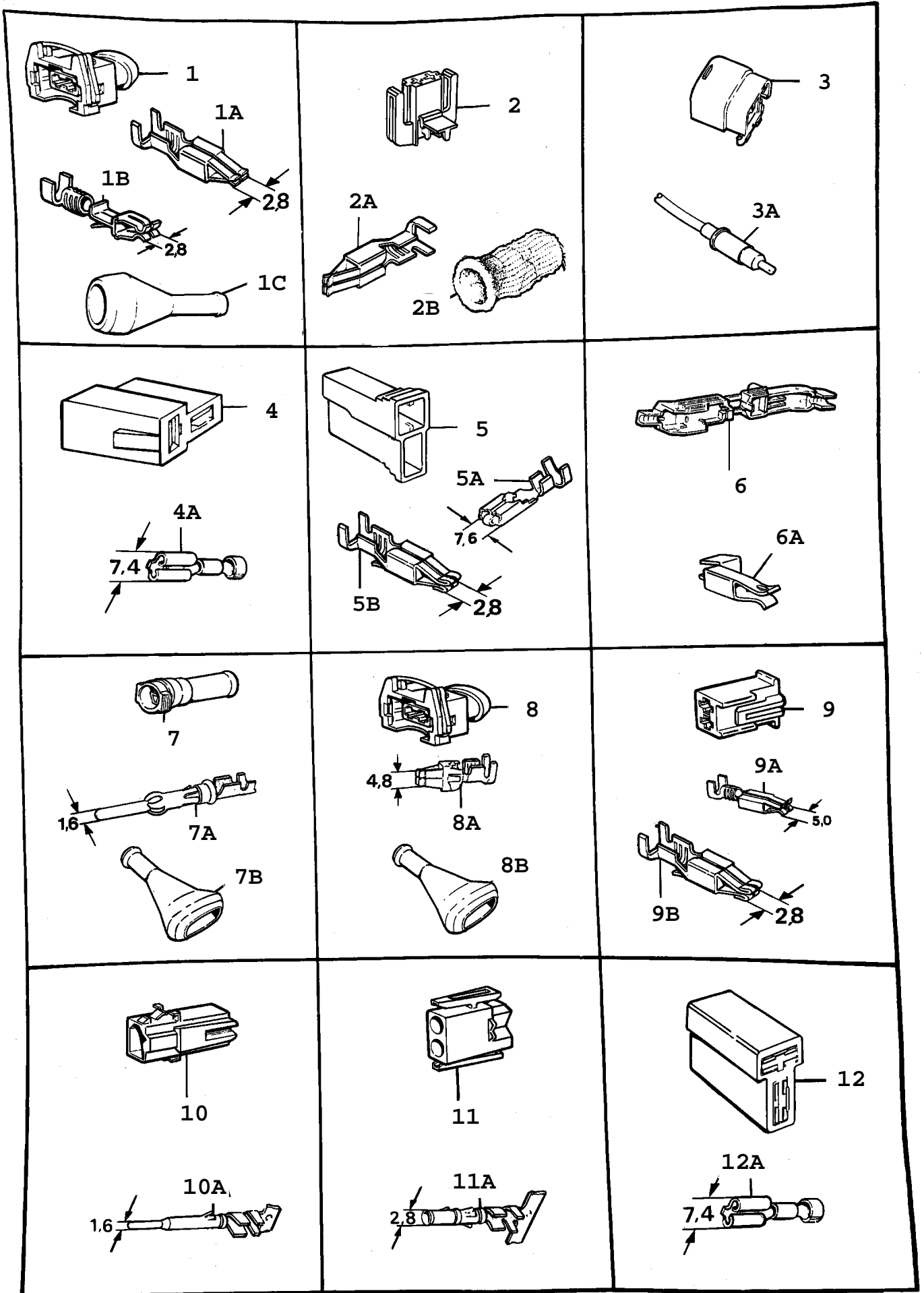
Rep.	N° de pièce	Article	Usage	Qté
1	71 55 112	Boîtier contact 1-poles, douille	IGNITION PULS, LIGHT GEAR	X
1A	79 71 708	Cosse	INDICATOR, MAKE UP MIRROR AREA, 0, 5-1, 5 MM2	X
2	71 55 120	Boîtier contact 1-poles, broche	EL-MIRROR, EL-CENTRAL	X
2A	85 22 542	Cosse	AREA, 1, 0-2, 6 MM2	X
3	85 30 115	Boîtier contact 1-poles, broche	LOUDSPEAKER	X
3A	85 30 107	Cosse	AREA, 0, 5-1, 0 MM2	X
4	85 33 184	Boîtier contact 1-poles, broche	LOUDSPEAKER	X
4A	85 82 439	Cosse	AREA, 0, 5-1, 5 MM2	X
5	85 21 692	Boîtier contact 1-poles, douille	REAR DEMIST, GROUND LIGHT	X
5A	85 22 526	Cosse	INSTEP AREA, 1, 0-2, 5 MM2	X
6	85 41 229	Douille d'isolation 1-poles, broche	LIGHT INSTEP, LIGHT NUM- BER X	X
6A	85 41 203	Cosse	PLATE, READING LAMP, SEAT BELT WARNING SWITCH SPOT LIGHT	X
6B	85 60 476	Cosse	AREA, 0, 5-1, 5 MM2, NLS-USE 8560476	X
7	95 03 418	Boîte connexion 1-poles, douille	COMPRESSOR	X
7A	85 47 796	Bloc connexion		X
8	85 16 916	Isolant 1-poles, douille	THERMO CONTACT, LIGHT ASH TRAY, HORN, LIGHT LUGGAGE COMPARTMENT SWITCH HAND BRAKE JOINT, JOINT PIECE REAR DOOR, ANTI THEFT ALARM	X
8A	85 14 036	Cosse	AREA, 1, 5-2, 5 MM2	X
8B	95 69 997	Protection		X
9	83 78 630	Boîtier contact 2-poles, douille	PEDAL CONTACT SPEED CONTROL	X
9A	85 22 575	Câblage	AREA, 0, 5-1, 4 MM2	X
10	85 93 899	Boîtier contact 2-poles, douille	AUXILIARY AIR VALVE FUEL SYSTEM, VENTILATION	X
10A	85 21 593	Cosse	AREA, 0, 5-1, 5 MM2	X
10B	91 20 668	Cosse	AREA, 0, 75-1, 5 MM2, NLS-USE 30520560	X
11	95 03 319	Boîtier contact 2-poles, douille	EL. WINDOW REGULATOR STD FAN, LEVEL GUARD RADIATOR, LEVEL SWITCH WASHER MOTOR, FAN AC FOG LIGHT, JOINT PIECE OUTER TEMP, JOINT PIECE THERMO CONTACT, MICRO SWITCH, FAN, FOG LIGHT EXTRA, ABS, BY-PASS JOINT PIECE, TRUNK LID DOOR FAN	X
11A	85 47 796	Bloc connexion		X

Rep.	N° de pièce	Article	Usage	Qté
12	91 24 157	Boîtier contact 2-poles, douille	LIGHT MIRROR, ACC, LIGHT CONTROLS, FAN AC, JOINT TRUNK LID, CENTRAL LOCK TANK HATCH, DOME LAMP SUN ROOF	X
12A	91 20 783	Cosse	AREA, 1, 0-2, 5 MM2	X
12A	91 20 791	Cosse	AREA, 2, 5-4, 0 MM2	X

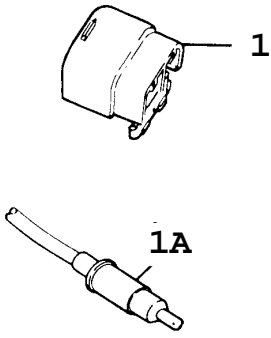
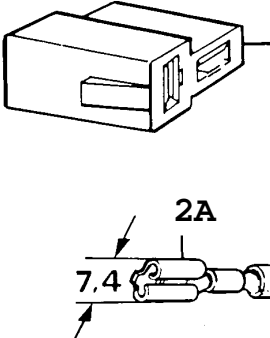
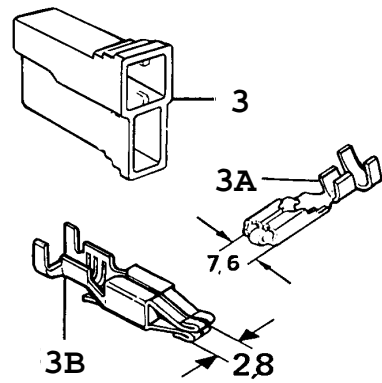
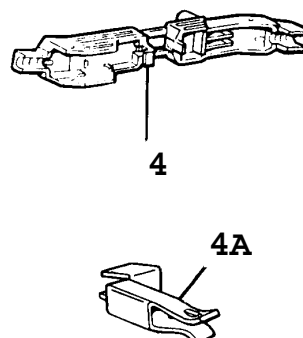
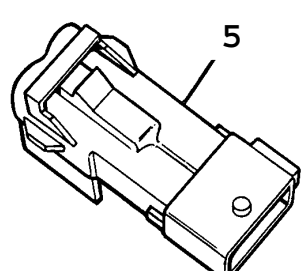
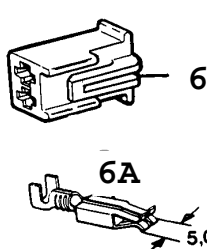
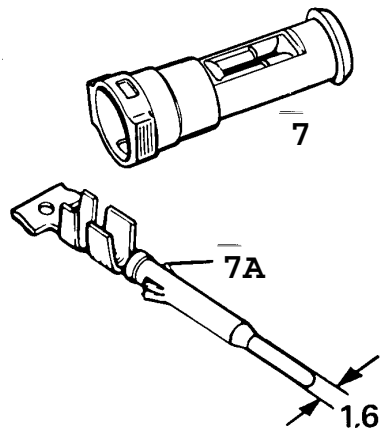
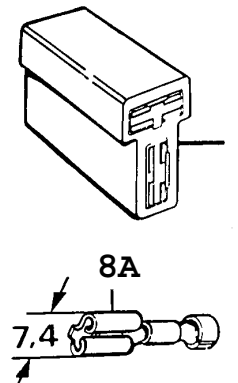
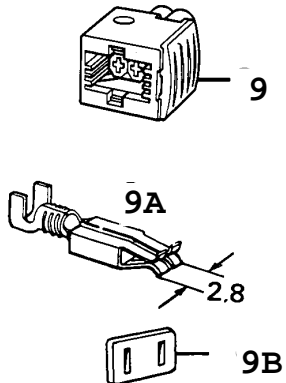
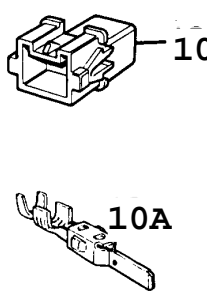
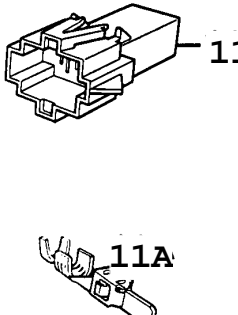
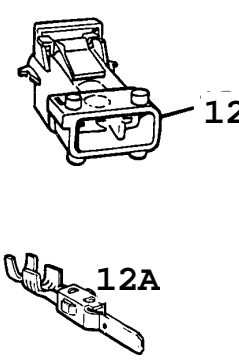


Rep.	N° de pièce	Article	Usage	Qté
1	85 33 655	Boîtier contact 8-poles, douille	ELECTRONIC UNIT SPEED CONTROL	
1A	91 20 775	Cosse	AREA, 0, 5-1, 5 MM2	X
2	91 24 181	Boîtier contact 8-poles, broche	JOINT PIECE, EL-HEATED SEAT	X
2A	71 55 062	Cosse	AREA, 0, 8-2, 5 MM2, NLS-USE 8522542	X
2A	85 16 957	Cosse	AREA, 4, 0-6, 0 MM2	X
3	91 24 090	Boîtier contact 8-poles, douille	JOINT PIECE, SWITCH REAR DEMIST, SWITCH WINDOW REGULATOR, SWITCH SUN ROOF, CENTRAL LOCK TOW HOOK, ACC	X
3A	91 20 775	Cosse	AREA, 0, 5-1, 0 MM2	X
3A	91 20 783	Cosse	AREA, 1, 0-2, 5 MM2	X
3A	91 20 791	Cosse	AREA, 2, 5-4, 0 MM2	X
4	95 03 525	Boîtier contact 8-poles, douille	SWITCH WINDOW REGULATOR	X
4A	85 82 090	Cosse	AREA, 0, 5-1, 5 MM2	X
5	95 52 159	Boîtier contact 8-poles, douille	ELECTRONIC UNIT BELT TENSIONER	X
5A	95 52 175	Cosse		X
5B	95 52 167	Couvercle		X
6	95 12 930	Boîtier contact 9-poles, douille	LOCK STEERING COLUMN	X
6A	95 09 746	Cosse	AREA, 0, 5-1, 5 MM2	X
7	85 44 371	Boîte connexion 10-poles, douille	LEVEL CONTROL, NLS	X
7A	85 44 389	Cosse	AREA, 0, 5-1, 5 MM2	X
7B	85 21 593	Cosse	AREA, 0, 5-1, 5 MM2	X
7C	85 22 617	Cosse	AREA, 1, 0-2, 6 MM2	X
8	91 22 557	Boîte connexion 10-poles, broche	RADIO	X
8A	95 52 100	Cosse	AREA, 0, 75-1, 5 MM2	X
9	91 23 399	Boîte connexion 10-poles, douille	REAR FOG LIGHT, SWITCH AC, RECIRCULATION AC, DCC, RADIO, REOSTAT, FOG LIGHT EXTRA	X
9A	91 20 668	Cosse	AREA, 0, 75-1, 5 MM2, NLS-USE 30520560	X
9A	95 08 748	Cosse	AREA, 1, 5-2, 5 MM2, NLS-USE 30520560	X
10	95 03 020	Boîtier contact 14-poles, douille	INSTRUMENTS	X
10A	95 05 397	Cosse	AREA, 1, 5-2, 5 MM2	X
11	85 79 930	Boîtier contact 25-poles, douille	ELECTRONIC UNIT LH, NLS	X
11A	85 87 420	*Boîtier contact		1
11B	85 87 438	*Gâche		1
11C	85 87 453	*Joint Note: N'est pas une pièce de rechange distincte.		1
11D	85 87 487	*Vis Note: N'est pas une pièce de rechange distincte.		1

Rep.	N° de pièce	Article	Usage	Qté
11E	85 87 412	*Capot Note: N'est pas une pièce de rechange distincte.	NLS	1
11F	85 87 446	*Bague Note: N'est pas une pièce de rechange distincte.	NLS	1
11G	85 87 495	*Support Note: N'est pas une pièce de rechange distincte.	NLS	1
11H	85 87 461	*Joint Note: N'est pas une pièce de rechange distincte.		1
11I	79 71 872	*Ruban serrage Note: N'est pas une pièce de rechange distincte.	(8558256)	1
11J	79 71 351	*Vis		2
11K	85 21 593	Cosse	AREA, 0, 5-1, 5 MM2	X
11L	85 22 617	Cosse	AREA, 1, 0-2, 6 MM2	X
12	95 06 650	Boîtier contact 25-poles, douille	ELECTRONIC UNIT ACC	X
12A	85 21 593	Cosse	AREA, 0, 5-1, 5 MM2	X
12B	85 22 617	Cosse	AREA, 1, 0-2, 6 MM2	X



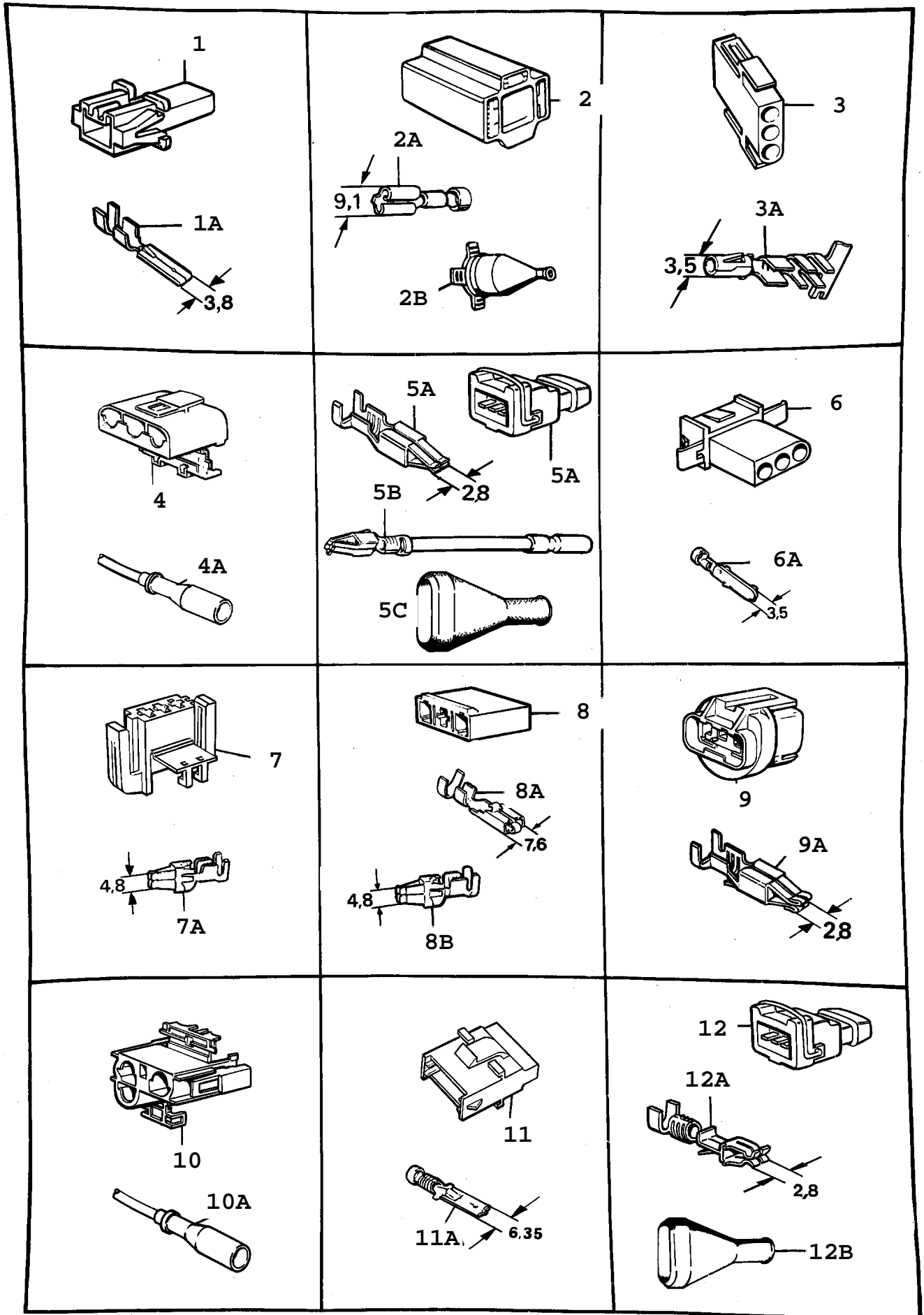
Rep.	N° de pièce	Article	Usage	Qté
1	85 93 915	Boîtier contact 2-poles, douille	THERMO SWITCH, TEMP SENSOR, TIMING VALVE, EGR	X
1A	85 21 593	Cosse	AREA, 0, 5-1, 5 MM2	X
1B	91 20 668	Cosse	AREA, 0, 75-1, 5 MM2, NLS-USE 30520560	X
1C	85 71 382	Protection		X
2	91 24 157	Boîtier contact 2-poles, douille	LIGHT MIRROR, ACC, MOTOR CENTRAL LOCK COVER FUEL FILLING, FAN AC, MOTOR ANTENNA, BELT TENSIONER	X
2A	91 20 783	Cosse	AREA, 1, 0-2, 5 MM2	X
2A	91 20 791	Cosse	AREA, 2, 5-4, 0 MM2	X
2B	95 68 775	Isolant	NLS	X
3	95 01 685	Boîtier contact 2-poles, broches	JOINT PIECE, ENGINE COMPARTMENT LIGHT, JOINT PIECE MAIN CABLE HARNESS	X
3A	85 47 770	Bloc connexion		X
4	85 58 538	Boîtier contact 2-poles, douille	CIGARETTE LIGHTER ELECTRONIC UNIT BELT TENSIONER	X
4A	85 82 454	Cosse	AREA 0, 5-1, 5 MM2	X
4A	85 22 534	Cosse	AREA 0, 8-2, 1 MM2	X
5	85 74 949	Boîtier contact 2-poles, douille	SPEED SENSOR	X
5A	85 60 476	Cosse	AREA 0, 9-2, 0 MM2	X
5B	91 20 957	Cosse	AREA 1, 0-2, 5 MM2, NLS-USE 30520560	X
7	95 19 406	Boîtier contact 2-poles, broches	SENSOR ABS	X
7A	95 19 398	Cosse	AREA, 0, 8-1, 5 MM2	X
7B	85 79 955	Protection		X
8	95 19 422	Boîtier contact 2-poles, douille	PUMP ABS	X
8A	91 20 791	Cosse	AREA, 2, 5-4, 0 MM2	X
8B	85 79 955	Protection		X
9	91 23 548	Boîtier contact 2-poles, douille	SIGNAL, HIGH MOUNTED STOP LIGHT, CONTROL LAMP LIGHT, TEST CONNECTOR BY-PASS, DOOR SWITCH LIGHT CENTRE CONSOL LIGHT SWITCHES	X
9A	91 20 668	Cosse	AREA, 0, 75-1, 5 MM2, NLS-USE 30520560	X
9B	91 20 957	Cosse	AREA, 1, 0-2, 5 MM2, NLS-USE 30520560	X
10	95 25 080	Boîtier contact 2-poles, broches	INFLATOR AIR-BAG	X
10A	95 26 401	Cosse	AREA, 0, 2-0, 56 MM2	X
11	95 25 809	Boîtier contact 2-poles, douille	INFLATOR AIR-BAG	X
11A	95 25 817	Cosse	AREA, 0, 2-0, 56 MM2	X
12	71 55 096	Boîte connexion 2-poles, broches	SWITCH BRAKE LIGHT	X
12A	79 71 708	Cosse	AREA, 0, 5-1, 5 MM2	X

 <p>1 1A</p>	 <p>2 2A 7.4 7.6</p>	 <p>3 3A 7.6 3B 2.8</p>
 <p>4 4A</p>	 <p>5</p>	 <p>6 6A 5.0</p>
 <p>7 7A 1.6</p>	 <p>8 8A 7.4</p>	 <p>9 9A 2.8 9B</p>
 <p>10 10A</p>	 <p>11 11A</p>	 <p>12 12A</p>

Rep.	N° de pièce	Article	Usage	Qté
1	95 01 685	Boîtier contact 2-poles, broches	SWITCH LUGGAGE COMPART- MENT LOCK	X
1A	85 47 770	Bloc connexion		X
2	85 58 538	Boîtier contact 2-poles, douille	CIGARETTE LIGHTER	X
2A	85 22 534	Cosse	AREA 0, 8-2, 1 MM2	X
3	85 74 949	Boîtier contact 2-poles, douille	SPEED SENSOR	X
3A	85 60 476	Cosse	AREA 0, 9-2, 0 MM2	X
3B	91 20 957	Cosse	AREA 1, 0-2, 5 MM2, NLS-USE 30520560	X
5	41 13 452	Boîtier de connecteur 2-poles, broches	ABS UNIT MK4, NLS-USE 12788987	X
6	91 23 548	Boîtier contact 2-poles, douille	THEFT ALARM, FOG LIGHT LOUD SPEAKER, BY-PASS, DOOR SWITCH, SOLENOID IGNITION LOCK, CODING EXTRA LIGHTS, GLOVE COMPARTMENT LAMP, SHIFT LOCK	X
6A	91 20 668	Cosse	AREA, 0, 75-1, 5 MM2, NLS-USE 30520560	X
7	42 24 895	Boîtier de connecteur 2-poles, douille	SENSOR WHEELS	X
7A	95 19 398	Cosse	AREA, 0, 8-1, 5 MM2	X
8	71 55 096	Boîte connexion 2-poles, broches	SWITCH BRAKE LIGHT	X
8A	79 71 708	Cosse	AREA, 0, 5-1, 5 MM2	X
9	41 13 205	Boîtier de connecteur 2-poles, douille	JOINT PIECE ABS UNIT SPEED SENSOR, RESISTOR DAY DRIVING LIGHT, HORN AIR PUMP, TEMP SENSOR TEMP SENSOR COOLANT THEFT ALARM, NLS-USE 12788933	X
9A	40 61 586	Cosse	AREA, 1, 0-2, 5 MM2	X
9B	41 14 310	Joint		X
10	41 17 164	Boîtier de connecteur 2-poles, broches	SIDE INDICATOR LAMP	X
10A	41 15 077	Cosse	AREA, 1, 0-2, 5 MM2, NLS-USE 12789934	X
11	41 17 560	Boîtier de connecteur 2-poles, broches	JOINT PIECE MAIN CABLE HARNESS	X
11A	41 15 580	Cosse	AREA, 1, 0-2, 5 MM2	X
12	41 74 264	Boîtier de connecteur 2-poles, broches	AIR-BAG PASSANGER	X
12A	41 15 077	Cosse	AREA, 1, 0-2, 5 MM2, NLS-USE 12789934	X

<p>1D</p> <p>1</p> <p>1E</p> <p>1A</p> <p>1B</p> <p>1C</p> <p>1G</p> <p>1F</p>		

Rep.	N° de pièce	Article	Usage	Qté
1	85 86 802	Boîtier contact 25-poles, douille	EZK, APC	X
1A	85 87 420	*Boîtier contact		1
1B	85 87 438	*Gâche Note: N'est pas une pièce de rechange distincte.		1
1C	85 87 453	*Joint Note: N'est pas une pièce de rechange distincte.		1
1D	85 87 487	*Vis Note: N'est pas une pièce de rechange distincte.		1
1E	85 87 503	*Capot Note: N'est pas une pièce de rechange distincte.		1
1F	85 87 511	*Protection en caoutchouc Note: N'est pas une pièce de rechange distincte.		1
1G	85 22 617	Cosse	AREA, 1, 0-2, 6 MM2	X



F2929 CAC93

Rep.	N° de pièce	Article	Usage	Qté
1	95 18 713	Boîtier contact 2-poles, broches	BY-PASS, SIDE DIRECTION INDICATOR, JOINT PIECE	X
1A	95 52 100	Cosse	AREA, 0, 75-1, 5 MM2	X
2	71 55 021	Boîtier contact 3-poles, douille	HEADLIGHT	X
2A	85 82 413	Cosse	AREA, 1, 3-3, 4 MM2	X
2B	85 52 721	Protège-câble		X
3	85 64 916	Boîtier contact 3-poles, douille	JOINT PIECE, JOINT PIECE B-PILLAR LH AND RH	X
3A	85 82 595	Cosse	AREA, 0, 5-2, 0 MM2	X
4	95 03 277	Boîtier contact 3-poles, douille	SPEED CONTROL, HEADLIGHT WIPERS, WIPER MOTOR, LEVEL CONTROL, CENTRAL LOCK, ABS, HEADLIGHT LEVELLING, FAN, BY-PASS THEFT ALARM DOOR	X
4A	85 47 796	Bloc connexion		X
4A	85 47 812	Bloc connexion		X
5	85 93 907	Boîtier contact 3-poles, douille	THROTTLE SWITCH, SOLE- NOIDX VALVE APC	X
5A	85 21 593	Cosse	AREA, 0, 5-1, 5 MM2	X
5A	91 20 668	Cosse	AREA, 0, 75-1, 5 MM2, NLS-USE 30520560	X
5B	85 22 617	Cosse	AREA, 1, 0-2, 6 MM2	X
5C	85 79 955	Protection		X
6	85 64 924	Boîtier contact 3-poles, broche	JOINT PIECE, NUMBER PLATE LIGHT, JOINT PIECE CABLE HARNESS DOORS JOINT PIECE TRUNK LID	X
6A	85 82 603	Cosse	AREA 0, 5-2, 0 MM2	X
6A	85 44 322	Cosse	AREA 2, 0-4, 0 MM2	X
7	91 24 165	Boîtier contact 3-poles, douille	JOINT PIECE, LIGHT ASH TRAY REAR, ELECTRONIC UNIT REOSTAT, CLOCK SPEEDOMETER, REOSTAT JOINT PIECE PASSENGER SEAT	X
7A	91 20 791	Cosse	AREA 2, 5-4, 0 MM2	X
8	95 07 658	Boîtier contact 3-poles, douille	SWITCH INNER LIGHT	X
8A	85 60 476	Cosse	AREA 0, 9-2, 0 MM2	X
8B	91 20 791	Cosse	AREA 2, 5-4, 0 MM2	X
9	95 14 803	Boîtier contact 3-poles, douille	LHD, US, HEADLIGHT	X
9A	91 20 668	Cosse	AREA, 0, 75-1, 5 MM2, NLS-USE 30520560	X
9A	91 20 957	Cosse	AREA, 1, 0-2, 5 MM2, NLS-USE 30520560	X
10	95 19 679	Boîtier contact 3-poles, douille	DIRECTION LIGHT, SIDE BACK-UP LIGHT	X
10A	85 47 796	Bloc connexion		X
10A	78 74 498	Connexion		X
11	95 03 012	Boîtier contact 3-poles, broche	EL-ADJUSTED CHAIR, NLS	X
11A	85 82 645	Cosse	AREA, 4, 0-6, 0 MM2	X

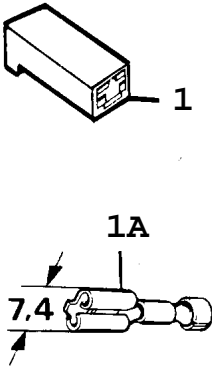
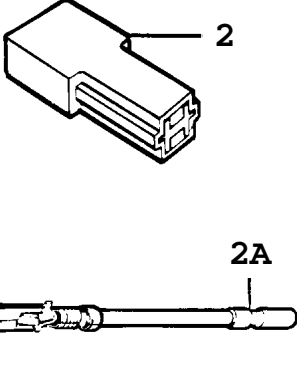
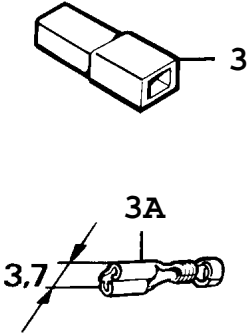
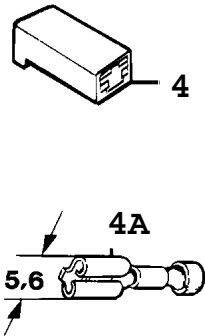
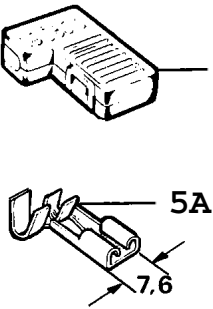
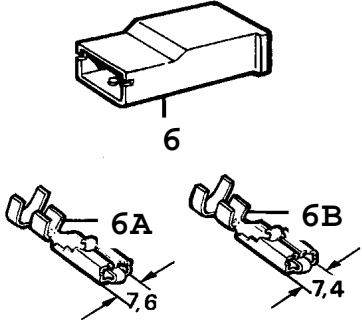
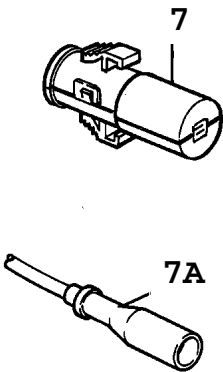
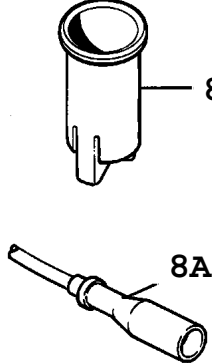
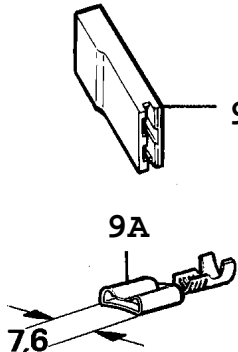
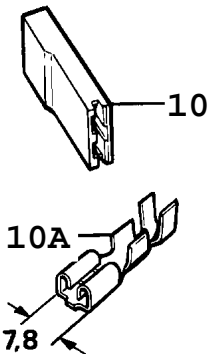
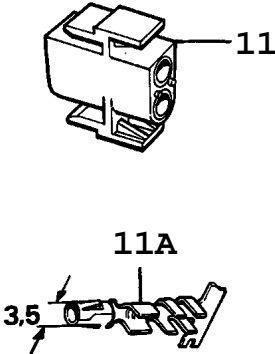
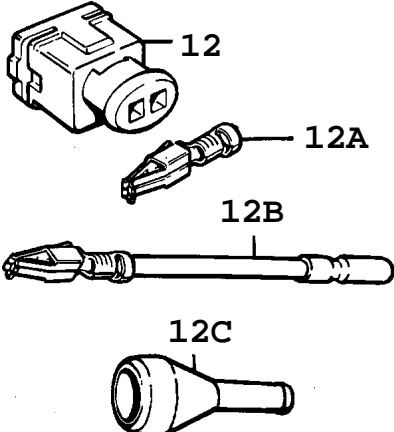
Rep.	N° de pièce	Article	Usage	Qté
12	85 93 923	Boîtier contact 3-poles, douille	IDLE COMPENSATOR	X
12A	91 20 668	Cosse	AREA 0, 75-1, 0 MM2, NLS-USE 30520560	X
12A	91 20 957	Cosse	AREA 1, 0-2, 5 MM2, NLS-USE 30520560	X
12B	85 79 955	Protection		X

<p>1</p> <p>1A</p> <p>4,8</p>	<p>2</p> <p>2A</p> <p>2,8</p>	<p>3</p> <p>3A</p> <p>3B</p> <p>4,8</p>
<p>4</p> <p>4A</p> <p>4B</p> <p>4C</p> <p>4,8</p>	<p>5</p> <p>5A</p> <p>4,8</p>	<p>6</p> <p>6A</p> <p>4,8</p>
<p>7</p> <p>7A</p> <p>3,5</p>	<p>8</p> <p>8A</p> <p>4,8</p>	<p>9</p> <p>9A</p> <p>4,8</p>
<p>10</p> <p>10A</p> <p>7,6</p>	<p>11</p> <p>11A</p> <p>7,6</p>	<p>12</p> <p>12A</p> <p>4,8</p>

F7482 CAC94

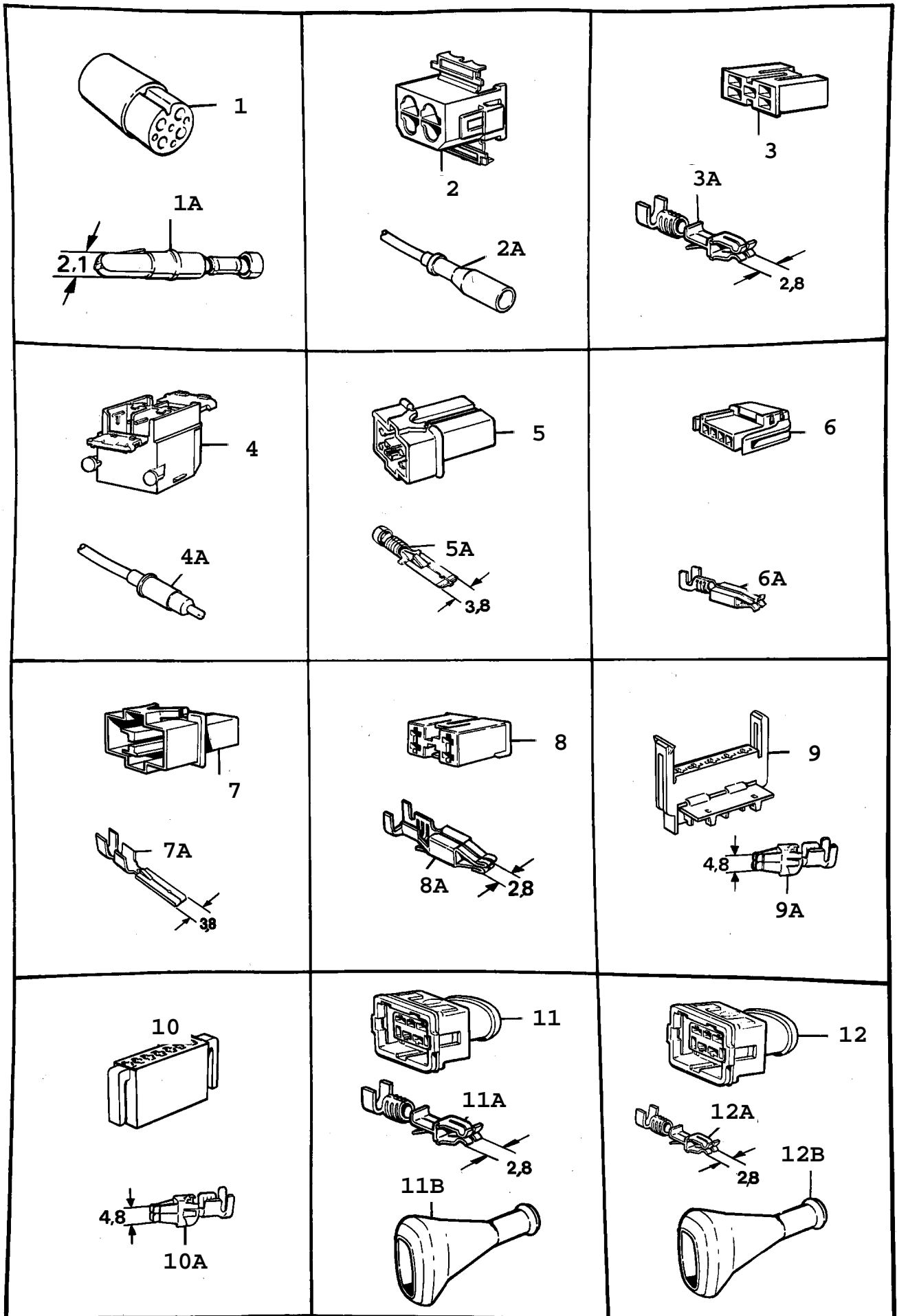
Rep.	N° de pièce	Article	Usage	Qté
1	41 13 411	Boîtier de connecteur 2-poles, douille	JOINT PIECE ABS UNIT	X
1A	43 54 171	Cosse	AREA, 1, 0-2, 5 MM2, NLS-USE 12970428	X
2	41 78 414	Boîtier de connecteur 2-poles, douille	DUMP VALVE, BY-PASS INJECTION VALVE, TEMP SENSOR, MAIN VALVE JOINT PIECE PEDAL SENSOR AUXILIARY AIR VALVE THERMO SWITCH, KNOCK SENSOR, NLS-USE 12790247	X
2A	40 61 586	Cosse	AREA, 1, 0-2, 5 MM2	X
3	95 19 422	Boîtier contact 2-poles, douille	HYDRAULIC PUMP	X
3A	91 20 791	Cosse	AREA, 2, 5-4, 0 MM2	X
3B	85 79 955	Protection		X
4	42 01 224	Boîtier de connecteur 2-poles, douille	REVERS LIGHT CONTACT	X
4A	44 18 505	Cosse	AREA, 0, 5-1, 0 MM2	X
4B	42 01 232	Verrouillage		X
4C	44 19 305	Joint rouge		X
4C	44 19 313	Joint bleu		X
5	44 33 439	Boîtier de connecteur 2-poles, douille	B308, INJECTION VALVES	X
5A	40 61 586	Cosse	AREA, 1, 0-2, 5 MM2	X
6	95 03 277	Boîtier contact 3-poles, douille	HEADLIGHT WIPERS, WIPER MOTOR, ABS, FAN, BY-PASS, HEADLIGHT LEVELLING THEFT ALARM DOOR PRESSURE MONITOR AC	X
6A	85 47 796	Bloc connexion		X
7	85 64 924	Boîtier contact 3-poles, broche	NUMBER PLATE LIGHT JOINT PIECE CABLE HAR-NESS DOORS, JOINT PIECE TRUNK LID	X
7A	85 44 322	Cosse	AREA 2, 0-4, 0 MM2	X
8	91 24 165	Boîtier contact 3-poles, douille	JOINT PIECE, LIGHT ASH TRAY REAR, ELECTRONIC UNIT REOSTAT, CLOCK SPEEDOMETER, REOSTAT JOINT PIECE PASSENGER SEAT, ELECTRONIC UNIT SPEED WARNING DEVICE	X
8A	91 20 791	Cosse	AREA 2, 5-4, 0 MM2	X
9	95 03 327	Boîtier contact 3-poles, broche	PRESSURE MONITOR AC R134A	X
9A	85 47 770	Bloc connexion		X
10	41 17 669	Boîtier de connecteur 3-poles, broche	EL-ADJUSTED SEAT	X
10A	41 15 580	Cosse	AREA, 1, 0-2, 5 MM2	X
11	95 07 658	Boîtier contact 3-poles, douille	SWITCH INTERIOR LIGHT	X

Rep.	N° de pièce	Article	Usage	Qté
11A	85 60 476	Cosse	AREA, 0, 9-2, 0 MM2	X
12	44 32 316	Boîtier de connecteur 3-poles, douille	SOLENOID VALVE, CRANK SHAFT SENSOR, THROTTLE POT, PRESSURE SENSOR	X
12A	40 61 586	Cosse	AREA, 1, 0-2, 5 MM2	X

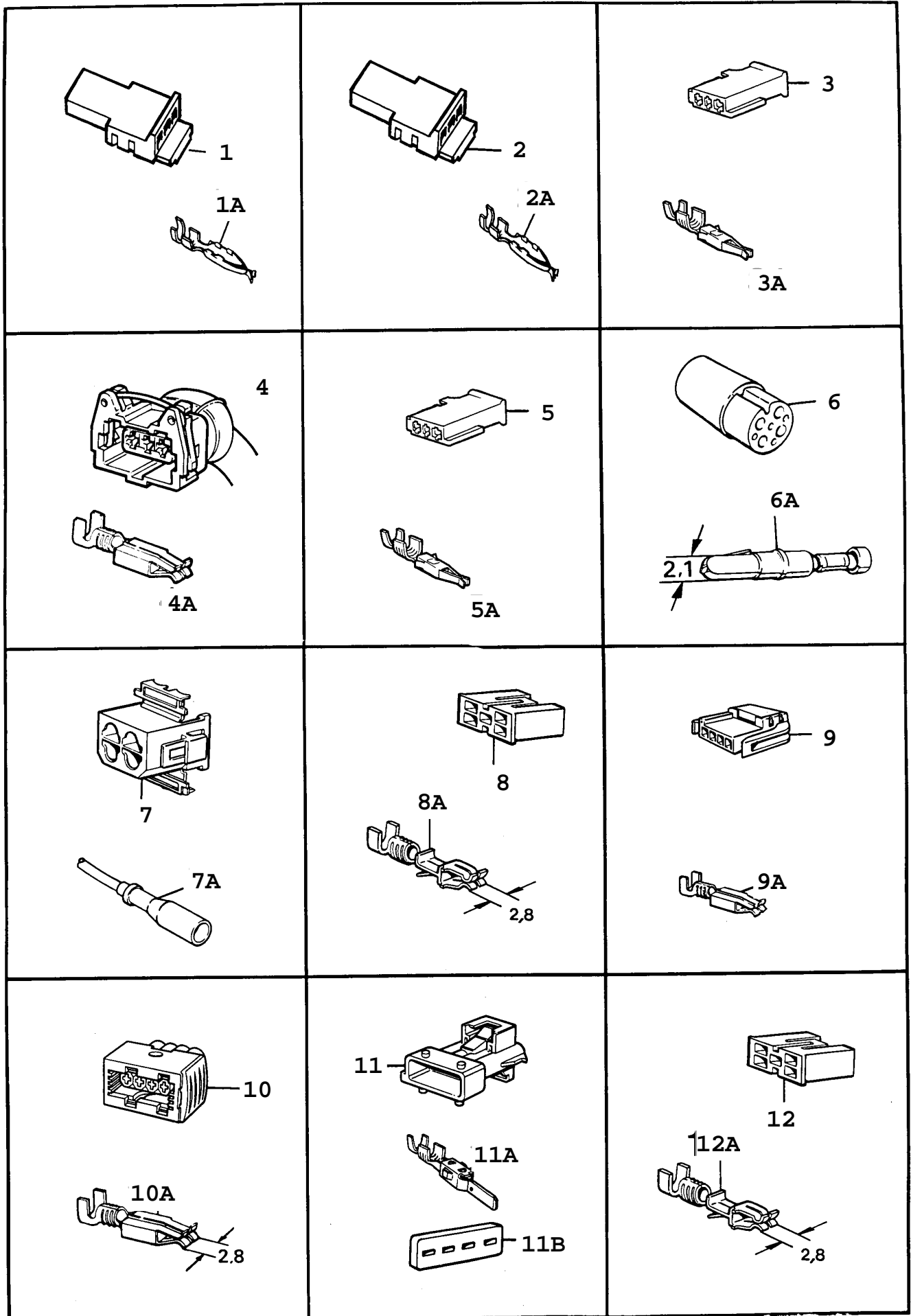
 <p>1</p> <p>1A</p> <p>7.4</p>	 <p>2</p> <p>2A</p> <p>6.35</p>	 <p>3</p> <p>3A</p> <p>3.7</p>
 <p>4</p> <p>4A</p> <p>5.6</p>	 <p>5</p> <p>5A</p> <p>7.6</p>	 <p>6</p> <p>6A</p> <p>6B</p> <p>7.6</p> <p>7.4</p>
 <p>7</p> <p>7A</p>	 <p>8</p> <p>8A</p>	 <p>9</p> <p>9A</p> <p>7.6</p>
 <p>10</p> <p>10A</p> <p>7.8</p>	 <p>11</p> <p>11A</p> <p>3.5</p>	 <p>12</p> <p>12A</p> <p>12B</p> <p>12C</p>

Rep.	N° de pièce	Article	Usage	Qté
1	71 55 112	Boîtier contact 1-poles, douille	IGNITION PULS, JOINT PIECE, SIGNAL	X
1A	79 71 708	Cosse	AREA, 0, 5-1, 5 MM2	X
1A	71 55 153	Cosse	AREA, 0, 8-2, 1 MM2, NLS-USE 8522534	X
1A	85 82 397	Cosse	AREA, 1, 0-2, 5 MM2, NLS	X
1A	85 82 546	Cosse	AREA, 4, 0-6, 0 MM2	X
2	71 55 120	Boîtier contact 1-poles, broche	JOINT PIECE, EL-MIRROR EL-CENTRAL	X
2A	85 22 542	Cosse	AREA, 1, 0-2, 6 MM2	X
3	85 30 115	Boîtier contact 1-poles, broche	LOUDSPEAKER, TUBE, JOINT PIECE	X
3A	85 30 107	Cosse	AREA, 0, 5-1, 0 MM2	X
4	85 33 184	Boîtier contact 1-poles, broche	LOUDSPEAKER, PRESSURE SENSOR APC, JOINT PIECE, TUBE	X
4A	85 33 028	Cosse	AREA, 0, 5-1, 5 MM2, NLS-USE 8582439	X
5	85 21 692	Boîtier contact 1-poles, douille	LIGHT INSTEP, IGNITION COIL, JOINT PIECE, SWITCH BRAKE LIGHT PRESSURE SWITCH, SWITCH ENGINE COMPARTMENT LIGHT	X
5A	85 21 676	Cosse	AREA, 0, 5-1, 5 MM2, NLS-USE 8522526	X
5A	85 22 526	Cosse	AREA, 0, 5-1, 5 MM2 (8582421)	X
5A	85 21 684	Cosse	AREA, 1, 0-2, 5 MM2, NLS-USE 8522526	X
6	85 41 229	Douille d'isolation 1-poles, broche	LIGHT INSTEP, SAFETY BELT WARNING, SWITCH SPOTLIGHT, JOINT PIECE	X
6A	85 41 203	Cosse	AREA, 0, 5-1, 0 MM2, NLS-USE 8560476	X
6B	85 60 476	Cosse	AREA, 0, 9-2, 0 MM2	X
7	95 03 418	Boîte connexion 1-poles, douille	COMPRESSOR, JOINT PIECE	X
7A	78 74 498	Connexion		X
8	95 03 426	Boîte connexion 1-poles, broche	JOINT PIECE	X
8A	78 74 498	Connexion		X
9	85 16 916	Isolant 2-poles, douille	STARTER, SPEED CONTROL JOINT PIECE, HAND BRAKE, APC PRESSURE SENSOR PRESSURE SWITCH, BRAKE CONTACT, THERMO CONTACT LAMBDA SOND, THROTTLE- SWITCH GEAR INDICATOR TEMP SENSOR GEAR INDI- CATOR, CIGARETTE LIGHTE	X
9A	85 14 036	Cosse	AREA, 0, 3-0, 8 MM2	X
9A	85 14 028	Cosse	AREA, 0, 3-0, 8 MM2, NLS-USE 7155716	X
9A	71 55 716	Cosse	AREA, 0, 5-1, 5 MM2	X
9A	71 55 039	Cosse	AREA, 1, 0-2, 5 MM2, NLS	X

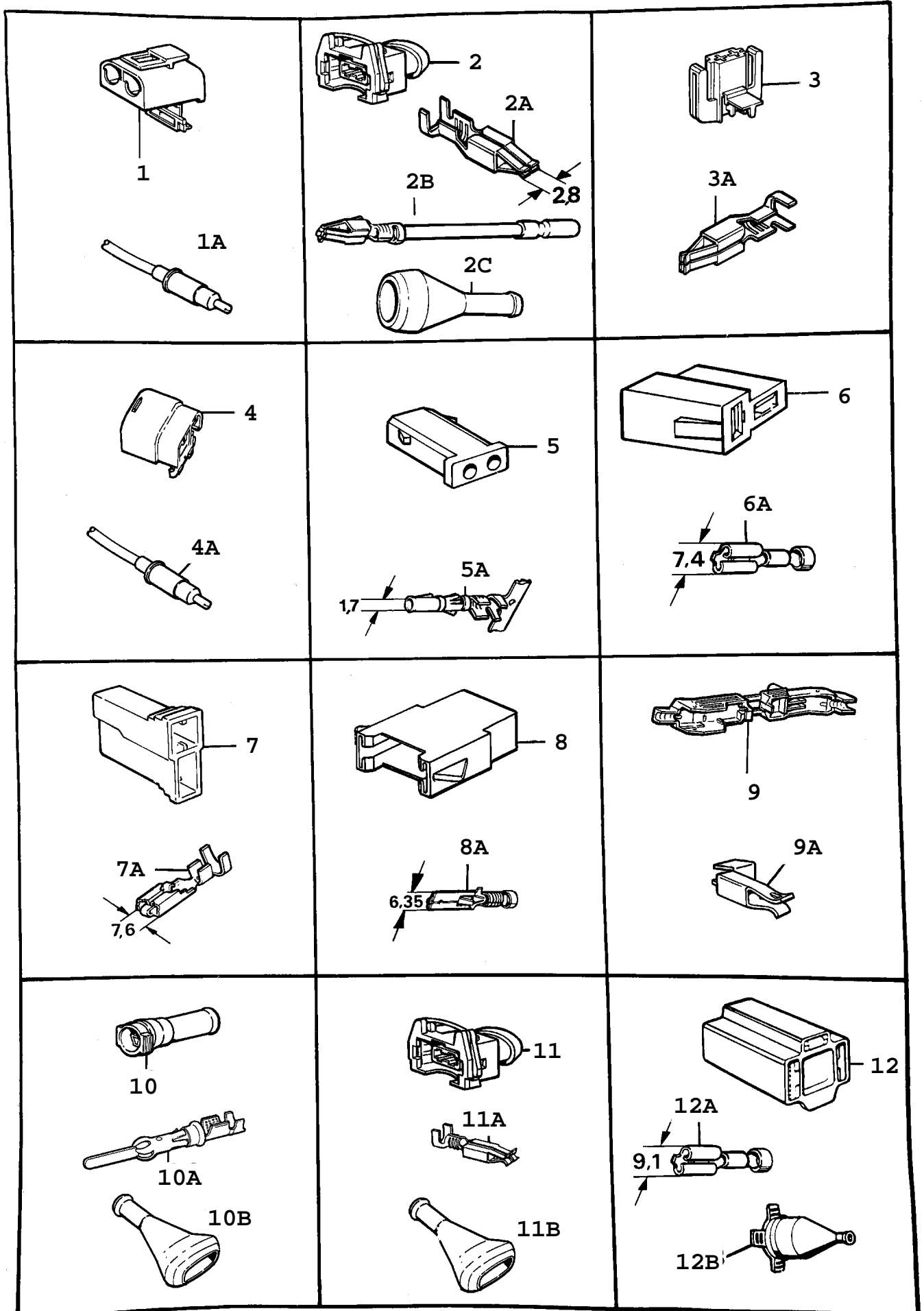
Rep.	N° de pièce	Article	Usage	Qté
10	83 78 630	Boîtier contact 2-poles, douille	PEDAL CONTACT	X
10A	85 09 846	Cosse	AREA, 0, 5-1, 4 MM2, NLS-USE 8522575	X
11	85 93 899	Boîtier contact 2-poles, douille	AUXILIARY AIR VALVE INJECTION VALVE, KNOCK SENSOR, JOINT PIECE EZK, APC, SENSOR ABS VENTILATION	X
11A	85 21 593	Cosse	AREA, 0, 5-1, 5 MM2	X
11B	91 20 668	Cosse	AREA, 0, 75-1, 5 MM2, NLS-USE 30520560	X
11C	85 21 619	Protection		X
12	95 03 319	Boîtier contact 2-poles, douille	EL. WINDOW REGULATOR CENTRAL LOCK, STD FAN SOLENOID VALVE APC WASHER PUMP, LEVEL SWITCH, WASHER MOTOR FAN MOTOR, FAN AC, OIL LEVEL, JOINT PIECE SWITCH BACK-UP LIGHT OUTER TEMP, PRESSURE SWITCH GEAR INDICATOR FEED PUMP, ACC, LEVEL SWITCH WASHER PUMP, FAN APC, FOG LIGHT EXTRA ABS, JOINT PIECE CABLE HARNESS ENGINE, JOINT PIECE ENGINE COMPARTMENT LIGHT	X
12A	78 74 506	Connexion		X



Rep.	N° de pièce	Article	Usage	Qté
1	85 30 099	Boîtier contact 4-poles, broche	ELECTRIC MIRROR	X
1A	85 22 583	Cosse	AREA, 0, 8-3, 4 MM2	X
2	95 03 434	Boîtier contact 4-poles, douille	CONTROL UNIT ACC, JOINT PIECE, PRESSURE SWITCH, FUEL PUMP SENSOR, ABS IGNITION CASSETTE CRANKSHAFT POSITION SENSOR, THERMOSTAT THEFT ALARM	X
2A	85 47 796	Bloc connexion		X
2A	78 74 498	Connexion		X
3	91 23 555	Boîtier contact 4-poles, douille	FAN INDOOR TEMP, JOINT PIECE MAIN CABLE HAR- NESS/APC, LUGGAGE COM- PARTMENT LOCK, PHONE	X
3A	95 08 714	Cosse	AREA, 0, 3-0, 6 MM2, NLS-USE 30520560	X
4	95 03 442	Boîtier contact 4-poles, broche	IGNITION CASSETTE	X
4A	85 47 770	Bloc connexion		X
5	95 18 739	Boîtier contact 4-poles, broche	JOINT PIECE	X
5A	95 52 100	Cosse	AREA, 0, 75-1, 5 MM2	X
6	40 60 869	Boîtier contact 4-poles, douille	SUN SENSOR	X
6A	40 63 970	Cosse	AREA, 0, 5-1, 0 MM2	X
6A	91 21 088	Cosse	AREA, 0, 2-0, 5 MM2	X
7	40 61 495	Boîtier contact 4-poles, douille	JOINT PIECE MAIN CABLE HARNESS	X
7A	95 52 100	Cosse	AREA, 0, 75-1, 5 MM2	X
8	40 61 503	Boîtier contact 4-poles, broche	JOINT PIECE	X
8A	91 20 957	Cosse	AREA, 1, 0-2, 5 MM2, NLS-USE 30520560	X
9	91 22 789	Boîtier contact 5-poles, douille	RESISTOR HEATING FAN	X
9A	91 20 791	Cosse	AREA, 2, 5-4, 0 MM2	X
10	91 24 173	Boîtier contact 5-poles, douille	GEAR INDICATOR, JOINT PIECE, GEAR INDICATOR STARTER INHIBITOR	X
10A	91 20 791	Cosse	AREA, 2, 5-4, 0 MM2	X
11	95 19 414	Boîtier contact 5-poles, douille	PRESSURE MONITOR	X
11A	91 20 668	Cosse	AREA, 0, 75-1, 5 MM2, NLS-USE 30520560	X
11B	85 79 955	Protection	AREA, 1, 0-2, 5 MM2	X
12	95 19 455	Boîtier contact 5-poles, douille	LEVEL ABS, ACCELERATOR PEDEL SENSOR, VALVES, ETS	X
12A	91 20 668	Cosse	AREA, 0, 75-1, 5 MM2, NLS-USE 30520560	X
12B	95 19 430	Protection		X

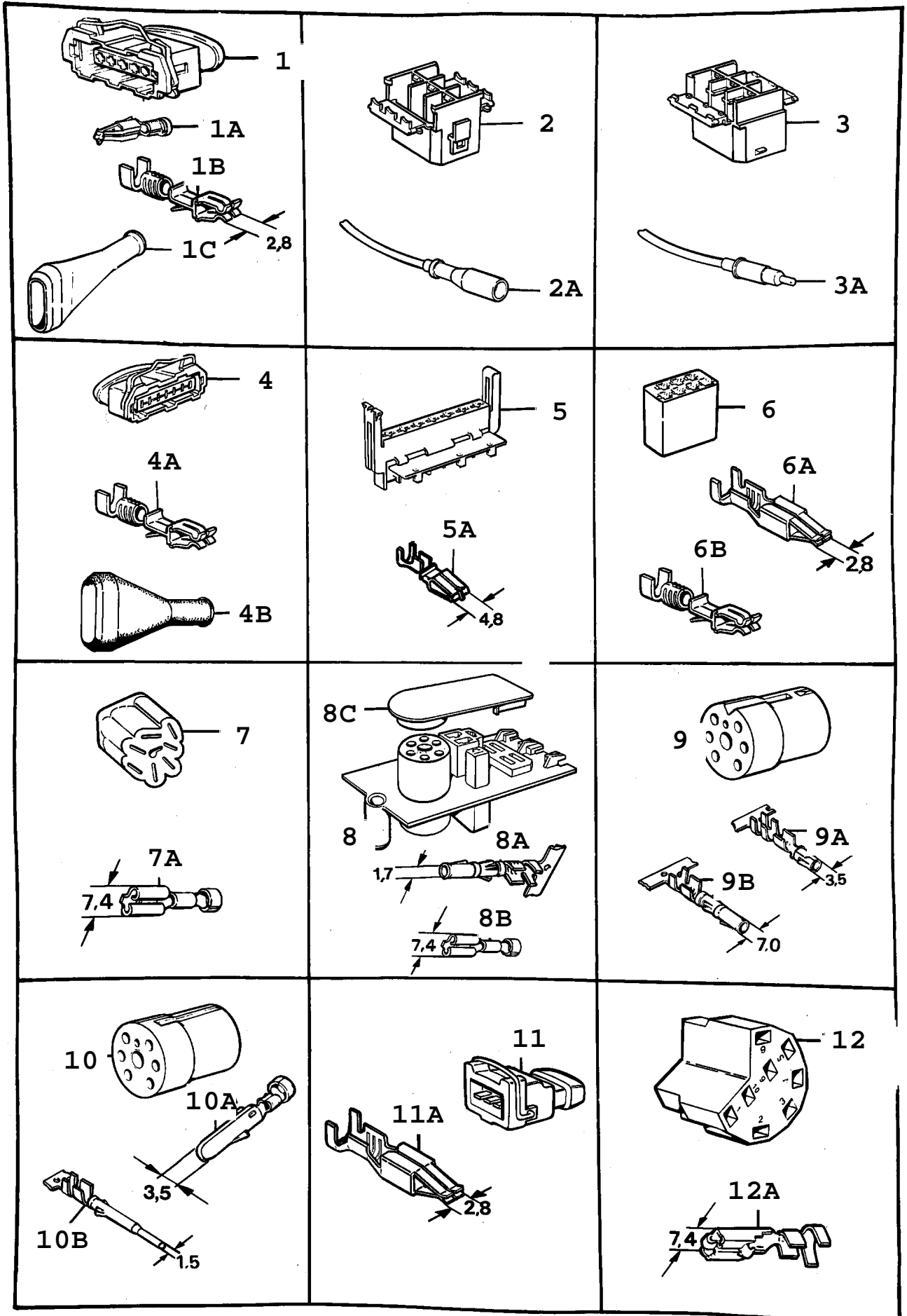


Rep.	N° de pièce	Article	Usage	Qté
1	41 09 195	Boîtier contact 3-poles, douille	MEMORY UNIT CHAIR	X
1A	40 63 970	Cosse	AREA, 0, 5-1, 0 MM2	X
2	41 09 187	Boîtier contact 3-poles, douille	MEMORY UNIT CHAIR	X
2A	40 63 970	Cosse	AREA, 0, 5-1, 0 MM2	X
3	41 13 007	Boîtier de connecteur 3-poles, douille	HORN BUTTON	X
3A	41 15 499	Cosse	AREA, 0, 5-1, 0 MM2, NLS-USE 12790414	X
4	44 89 647	Boîtier de connecteur 3-poles, douille	SENSOR CAMSHAFT	X
4A	40 61 586	Cosse	AREA, 1, 0-2, 5 MM2	X
5	45 17 702	Boîtier de connecteur 3-poles, douille	AIRBAG DRIVER, NLS	X
5A	44 66 801	Cosse	AREA, 0, 5-1, 0 MM2	X
6	85 30 099	Boîtier contact 4-poles, broche	ELECTRIC MIRROR	X
6A	85 22 583	Cosse	AREA, 0, 8-3, 4 MM2	X
7	95 03 434	Boîtier contact 4-poles, douille	CONTROL UNIT ACC, JOINT PIECE, PRESSURE SWITCH, THEFT ALARM	X
7A	85 47 796	Bloc connexion		X
7A	78 74 498	Connexion		X
8	91 23 555	Boîtier contact 4-poles, douille	FAN INDOOR TEMP, JOINT PIECE MAIN CABLE HAR- NESS/APC, LUGGAGE COM- PARTMENT LOCK, PHONE SWITCH WARNING FLASHER REAR WIPER, TAIL LAMP	X
8A	95 08 714	Cosse	AREA, 0, 3-0, 6 MM2, NLS-USE 30520560	X
9	40 60 869	Boîtier contact 4-poles, douille	SUN SENSOR	X
9A	40 63 970	Cosse	AREA, 0, 5-1, 0 MM2	X
10	41 13 601	Boîtier de connecteur 4-poles, douille	CS, HEAD LIGHT SENSOR AIR-BAG, HEAT PLATES, LAMBDA SONDE	X
10A	43 50 526	Cosse	AREA, 0, 5-1, 0 MM2	X
11	41 13 650	Boîtier de connecteur 4-poles, broche	SENSOR FUEL PUMP JOINT PIECE	X
11A	41 15 192	Cosse	AREA, 1, 0-2, 5 MM2	X
11B	41 13 759	Joint		X
12	40 61 503	Boîtier contact 4-poles, douille	CONTACT PARKING PAWL	X
12A	91 20 957	Cosse	AREA, 1, 0-2, 5 MM2, NLS-USE 30520560	X



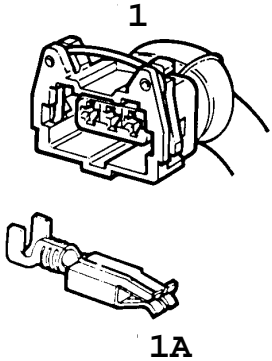
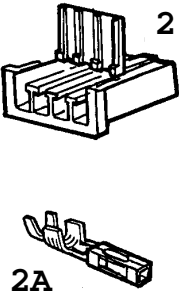
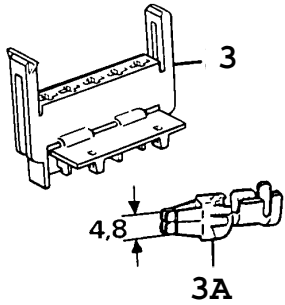
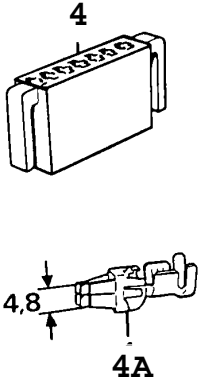
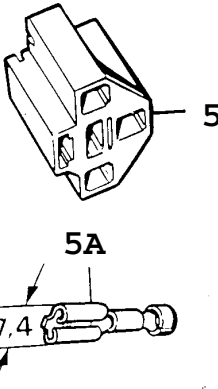
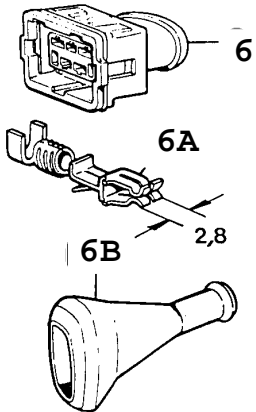
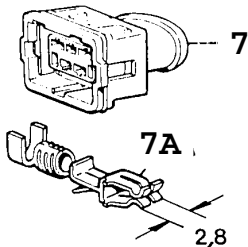
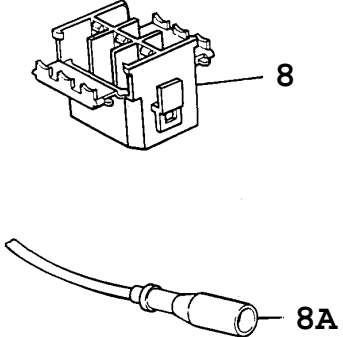
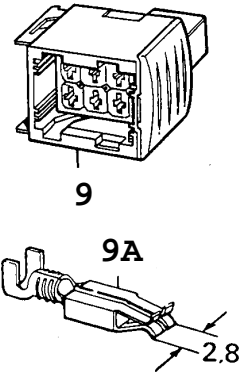
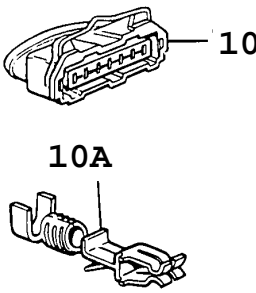
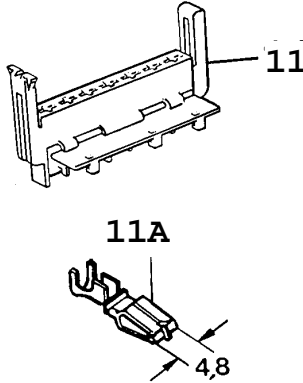
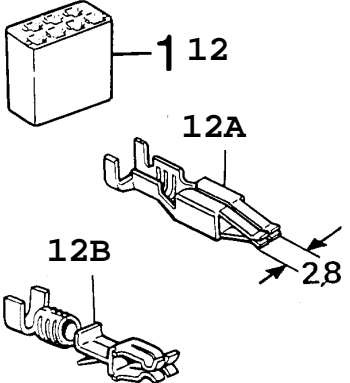
Rep.	N° de pièce	Article	Usage	Qté
1	95 03 319	Boîtier contact 2-poles, douille	EL. WINDOW REGULATOR CENTRAL LOCK, DOOR INDICATOR, STD FAN SOLENOID VALVE APC WASHER PUMP, LEVEL SWITCH, WASHER MOTOR FAN MOTOR, FAN AC, OIL LEVEL, JOINT PIECE SWITCH BACK-UP LIGHT OUTER TEMP, LOCK INDICA- TOR, PRESSURE SWITCH GEAR INDICATOR, FEED PUMP, RECIRCULATION ACC, APC, LEVEL SWITCH WASHER PUMP, FOG LIGHT EXTRA, ABS, FAN	X
1A	78 74 506	Connexion		X
2	85 93 915	Boîtier contact 2-poles, douille	THERMO SWITCH	X
2A	85 21 593	Cosse	AREA, 0, 5-1, 5 MM2	X
2B	85 22 617	Cosse	AREA, 1, 0-2, 6 MM2	X
2C	85 71 382	Protection		X
3	91 24 157	Boîtier contact 2-poles, douille	LIGHT MIRROR, JOINT PIECE, ACC, MOTOR CENTRAL LOCK COVER FUEL FILLING, SUN SENSOR INNER TEMP, SIDE DIRECT INDICATOR, FAN AC, AC EDU II DCC, SPEED CONT- ROL	X
3A	91 20 775	Cosse	AREA, 0, 5-1, 0 MM2	X
3A	95 21 972	Cosse	AREA, 0, 5-1, 0 MM2	X
3A	91 20 783	Cosse	AREA, 1, 0-2, 5 MM2	X
4	95 01 685	Boîtier contact 2-poles, broches	JOINT PIECE, ENGINE COMPARTMENT LIGHT	X
4A	78 74 506	Connexion		X
5	95 06 643	Boîtier contact 2-poles, douille	MIXING TEMP ACC	X
5A	85 87 552	Cosse	AREA 0, 5-1, 5 MM2	X
6	85 58 538	Boîtier contact 2-poles, douille	CIGARETTE LIGHTER ELECTRONIC UNIT BELT TENSIONER	X
6A	85 82 454	Cosse	AREA 0, 5-1, 5 MM2	X
6A	71 55 153	Cosse	AREA 0, 8-2, 1 MM2, NLS-USE 8522534	X
7	85 74 949	Boîtier contact 2-poles, douille	SPEED SENSOR	X
7A	85 41 203	Cosse	AREA 0, 5-1, 5 MM2, NLS-USE 8560476	X
8	95 02 998	Boîtier contact 2-poles, broches	JOINT PIECE, EDU II DCC, NLS-USE 4069829	X
8A	71 55 062	Cosse	AREA 0, 8-2, 5 MM2, NLS-USE 8522542	X
10	95 19 406	Boîtier contact 2-poles, broches	SENSOR ABS	X
10A	95 19 398	Cosse	AREA, 0, 8-1, 5 MM2	X
10B	85 79 955	Protection		X
11	95 19 422	Boîtier contact 2-poles, douille	PUMP ABS	X

Rep.	N° de pièce	Article	Usage	Qté
11A	91 20 767	Cosse	AREA, 4, 0-6, 0 MM2	X
11B	85 79 955	Protection		X
12	71 55 021	Boîtier contact 3-poles, douille	HEADLIGHT	X
12A	85 82 413	Cosse	AREA, 1, 3-3, 4 MM2	X
12B	85 52 721	Protège-câble		X

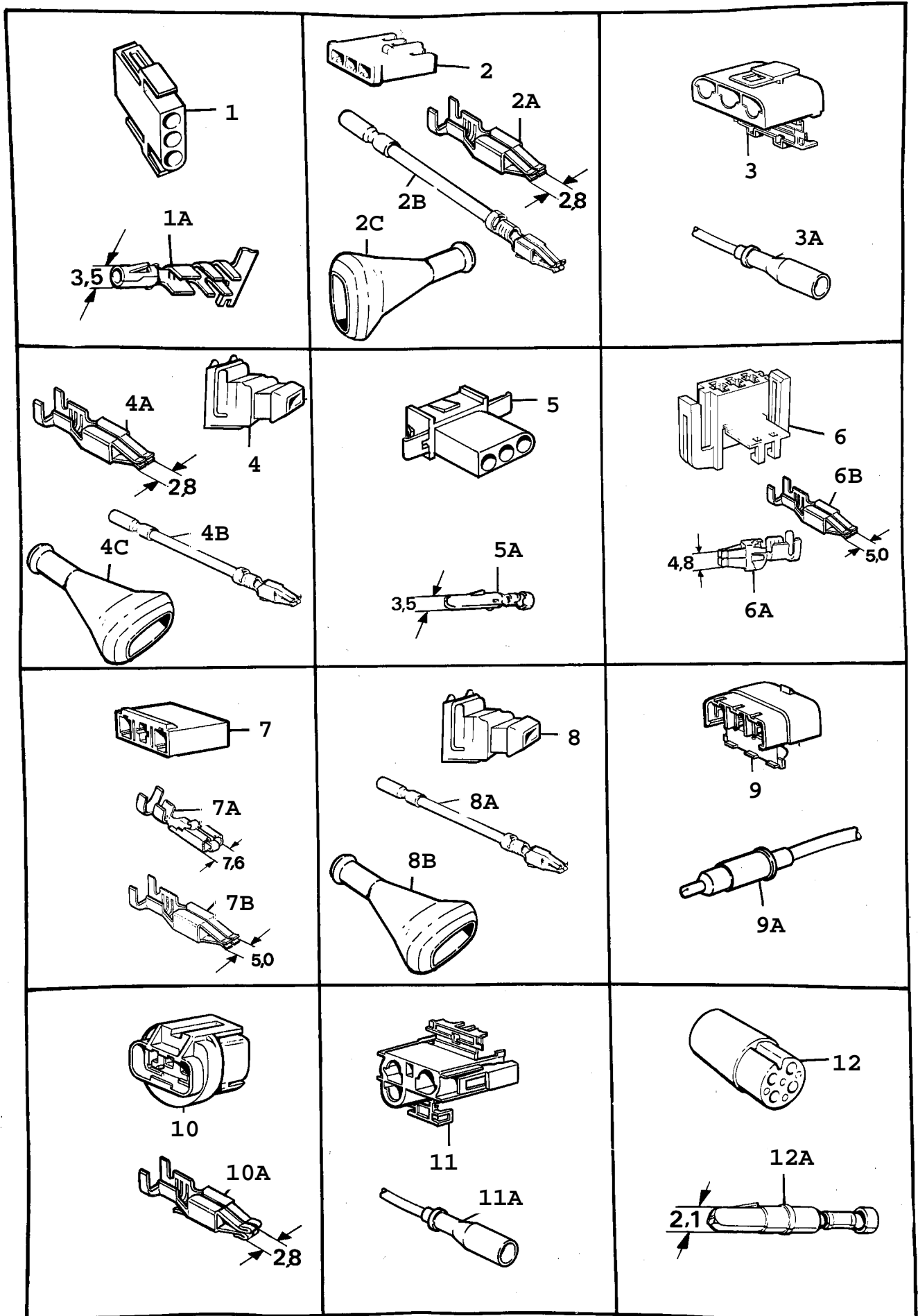


Rep.	N° de pièce	Article	Usage	Qté
1	85 93 931	Boîtier contact 6-poles, douille	AIR MASS METER LH	X
1A	85 21 593	Cosse	AREA, 0, 5-1, 5 MM2	X
1B	91 20 668	Cosse	AREA, 0, 75-1, 5 MM2, NLS-USE 30520560	X
1C	85 82 082	Protection		X
2	95 03 475	Boîtier contact 6-poles, douille	JOINT PIECE TCS, JOINT PIECE	X
2A	85 47 796	Bloc connexion		X
2A	78 74 498	Connexion		X
3	95 06 668	Boîtier contact 6-poles, broche	JOINT PIECE	X
3A	85 47 770	Bloc connexion		X
4	85 93 949	Boîtier contact 7-poles, douille	POWER STAGE, VALVE OUTPUT STAGE, SETTING MOTOR	X
4A	91 20 668	Cosse	AREA, 0, 75-1, 5 MM2, NLS-USE 30520560	X
4B	85 74 048	Protection	NLS	X
5	91 22 797	Boîtier contact 7-poles, douille	THEFT ALARM, SWITCH DIRECTION INDICATOR, SWITCH SPEED CONTROL TAIL LIGHT, SWITCH FLASHER	X
5A	91 20 791	Cosse	AREA, 2, 5-4, 0 MM2	X
6	91 23 381	Boîtier contact 7-poles, douille	SWITCH ELECTRIC MIRROR	X
6A	85 21 593	Cosse	AREA, 0, 5-1, 5 MM2	X
6B	91 20 668	Cosse	AREA, 0, 75-1, 5 MM2, NLS-USE 30520560	X
7	95 03 251	Boîtier contact 7-poles, douille	HEATING FAN	X
7A	79 72 029	Cosse	AREA, 1, 0-2, 5 MM2, NLS-USE 8522534	X
7A	79 68 068	Cosse	AREA, 4, 0-6, 0 MM2	X
8	95 12 591	Contact 7-poles, douille	TEST CONNECTOR	X
8A	85 87 552	Cosse	AREA, 0, 5-1, 5 MM2	X
8A	85 87 560	Cosse	AREA, 1, 0-2, 5 MM2	X
8B	85 82 454	Cosse	AREA, 0, 5-1, 5 MM2	X
8C	95 20 974	Couvercle		X
9	85 21 700	Contact 7-poles, douille	JOINT PIECE, JOINT PIECE REAR DOOR	X
9A	85 82 595	Cosse	AREA, 0, 5-2, 0 MM2	X
9B	85 87 552	Cosse	AREA, 0, 5-1, 5 MM2	X
10	85 21 718	Boîtier contact 7-poles, broche	JOINT PIECE, JOINT PIECE CABLE HARNESS DOORS	X
10A	85 82 603	Cosse	AREA, 0, 5-2, 0 MM2	X
10B	85 93 964	Cosse	AREA, 0, 5-1, 5 MM2	X
11	40 61 479	Boîtier contact 7-poles, douille	VALVES ABS	X
11A	91 20 957	Cosse	AREA, 0, 75-1, 5 MM2, NLS-USE 30520560	X
12	85 44 363	Boîtier contact 8-poles, douille	SWITCH LIGHT	X

Rep.	N° de pièce	Article	Usage	Qté
12A	85 60 476	Cosse	AREA, 0, 9-2, 0 MM2	X
12A	85 41 211	Cosse	AREA, 2, 5-4, 0 MM2	X

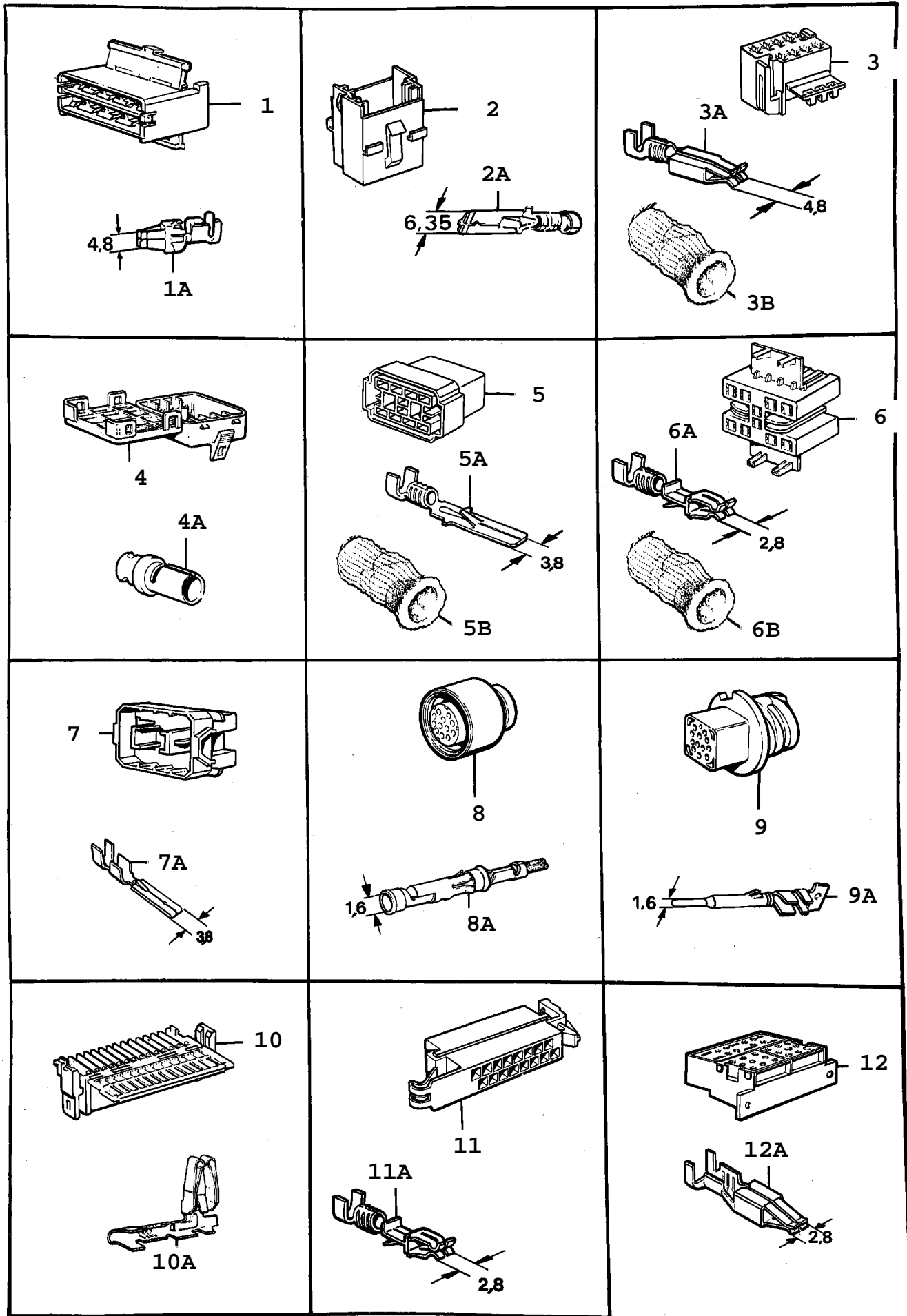
 <p>1 1A</p>	 <p>2 2A</p>	 <p>3 3A 4,8</p>
 <p>4 4A 4,8</p>	 <p>5 5A 7,4</p>	 <p>6 6A 6B 2,8</p>
 <p>7 7A 2,8</p>	 <p>8 8A</p>	 <p>9 9A 2,8</p>
 <p>10 10A</p>	 <p>11 11A 4,8</p>	 <p>12 12A 12B 2,8</p>

Rep.	N° de pièce	Article	Usage	Qté
1	44 32 357	Boîtier de connecteur 4-poles, douille	IGNITION COIL, MASS AIR FLOWX SENSOR	
1A	40 61 586	Cosse	AREA, 1, 0-2, 5 MM2	X
2	45 37 411	Boîtier de connecteur 4-poles, douille	SENSOR THEFT ALARM	X
2A	45 38 310	Cosse	AREA, 0, 2-0, 56 MM2	X
3	91 22 789	Boîtier contact 5-poles, douille	RESISTOR HEATING FAN	X
3A	91 20 791	Cosse	AREA, 2, 5-4, 0 MM2	X
4	91 24 173	Boîtier contact 5-poles, douille	GEAR INDICATOR, JOINT PIECE, X GEAR INDICATOR STARTER INHIBITOR	X
4A	91 20 791	Cosse	AREA, 2, 5-4, 0 MM2	X
5	85 33 697	Boîtier contact 5-poles, douille	SWITCH PARKING PAWL	X
5A	85 82 454	Cosse	AREA, 0, 5-1, 5 MM2	X
6	95 19 414	Boîtier contact 5-poles, douille	PRESSURE MONITOR	X
6A	91 20 957	Cosse	AREA, 1, 0-2, 5 MM2, NLS-USE 30520560	X
6B	85 79 955	Protection		X
7	44 32 365	Boîtier de connecteur 5-poles, douille	ETS, LEVEL GUARD, VALVES TCS	X
7A	91 20 957	Cosse	AREA, 1, 0-2, 5 MM2, NLS-USE 30520560	X
8	95 03 475	Boîtier contact 6-poles, douille	JOINT PIECE	X
8A	85 47 796	Bloc connexion		X
8A	78 74 498	Connexion		X
9	41 13 809	Boîtier de connecteur 6-poles, douille	WASHER MOTOR, CENTRAL LOCK, JOINT PIECE BOOT LID, REAR LOUD SPEAKER JOINT PIECE ENGINE, NLS-USE 12788966	X
9A	40 61 586	Cosse	AREA, 1, 0-2, 5 MM2	X
10	85 93 949	Boîtier contact 7-poles, douille	VALVE, OUTPOT STAGE	X
10A	91 20 668	Cosse	AREA, 0, 75-1, 5 MM2, NLS-USE 30520560	X
11	91 22 797	Boîtier contact 7-poles, douille	THEFT ALARM, SWITCH DIRECTION INDICATOR, SWITCH SPEED CONTROL TAIL LIGHT	X
11A	91 20 791	Cosse	AREA, 2, 5-4, 0 MM2	X
12	91 23 381	Boîtier contact 7-poles, douille	SWITCH ELECTRIC MIRROR	X
12A	85 21 593	Cosse	AREA, 0, 5-1, 5 MM2	X
12A	91 20 957	Cosse	AREA, 1, 0-2, 5 MM2, NLS-USE 30520560	X
12B	91 20 668	Cosse	AREA, 0, 75-1, 5 MM2, NLS-USE 30520560	X



Rep.	N° de pièce	Article	Usage	Qté
1	85 64 916	Boîtier contact 3-poles, douille	JOINT PIECE	X
1A	85 44 298	Cosse	AREA, 0, 5-2, 0 MM2, NLS-USE 8582595	X
2	85 74 097	Boîtier contact 3-poles, broche	DISTRIBUTOR	X
2A	85 21 593	Cosse	AREA, 0, 5-1, 5 MM2	X
2B	85 22 617	Cosse	AREA, 1, 0-2, 6 MM2	X
2C	85 74 105	Protection	NLS	X
3	95 03 277	Boîtier contact 3-poles, douille	SPEED CONTROL, HEADLIGHT WIPERS, WIPER MOTOR, LEVEL CONTROL, JOINT PIECE, CENTRAL LOCK	X
3A	78 74 498	Connexion		X
4	85 93 907	Boîtier contact 3-poles, douille	THROTTLE SWITCH	X
4A	85 21 593	Cosse	AREA, 0, 5-1, 5 MM2	X
4B	85 22 617	Cosse	AREA, 1, 0-2, 6 MM2	X
4C	85 79 955	Protection		X
5	85 64 924	Boîtier contact 3-poles, broche	JOINT PIECE, NUMBER PLATE LIGHT	X
5A	85 44 314	Cosse	AREA 0, 5-2, 0 MM2, NLS-USE 8582603	X
5A	85 44 322	Cosse	AREA 2, 0-4, 0 MM2	X
6	91 24 165	Boîtier contact 3-poles, douille	JOINT PIECE, FUEL LEVEL TRANSMITTER, LIGHT ASH TRAY REAR, ELECTRONIC UNIT REOSTAT, CLOCK SPEEDOMETER	X
6A	91 20 775	Cosse	AREA 0, 5-1, 0 MM2	X
6B	95 21 972	Cosse	AREA 0, 5-1, 0 MM2	X
6B	95 21 980	Cosse	AREA 1, 5-2, 5 MM2, NLS-USE 30520556	X
7	95 07 658	Boîtier contact 3-poles, douille	SWITCH INNER LIGHT	X
7A	91 20 775	Cosse	AREA 0, 5-1, 5 MM2	X
7A	85 41 203	Cosse	AREA 0, 5-1, 5 MM2, NLS-USE 8560476	X
7B	95 21 972	Cosse	AREA 0, 5-1, 0 MM2	X
8	85 93 923	Boîtier contact 3-poles, douille	IDLE COMPENSATOR	X
8A	85 22 617	Cosse	AREA 1, 0-2, 6 MM2	X
8B	85 79 955	Protection		X
9	95 03 327	Boîtier contact 3-poles, broche	JOINT PIECE	X
9A	78 74 506	Connexion		X
10	95 14 803	Boîtier contact 3-poles, douille	LHD, US, HEADLIGHT	X
10A	95 08 748	Cosse	AREA, 1, 5-2, 5 MM2, NLS-USE 30520560	X
11	95 19 679	Boîtier contact 3-poles, douille	PARKING LIGHT, DIRECTION LIGHT	X
11A	78 74 498	Connexion		X

Rep.	N° de pièce	Article	Usage	Qté
12	85 30 099	Boîtier contact 4-poles, douille	ELECTRIC MIRROR	X
12A	85 22 583	Cosse	AREA, 0, 8-3, 4 MM2	X

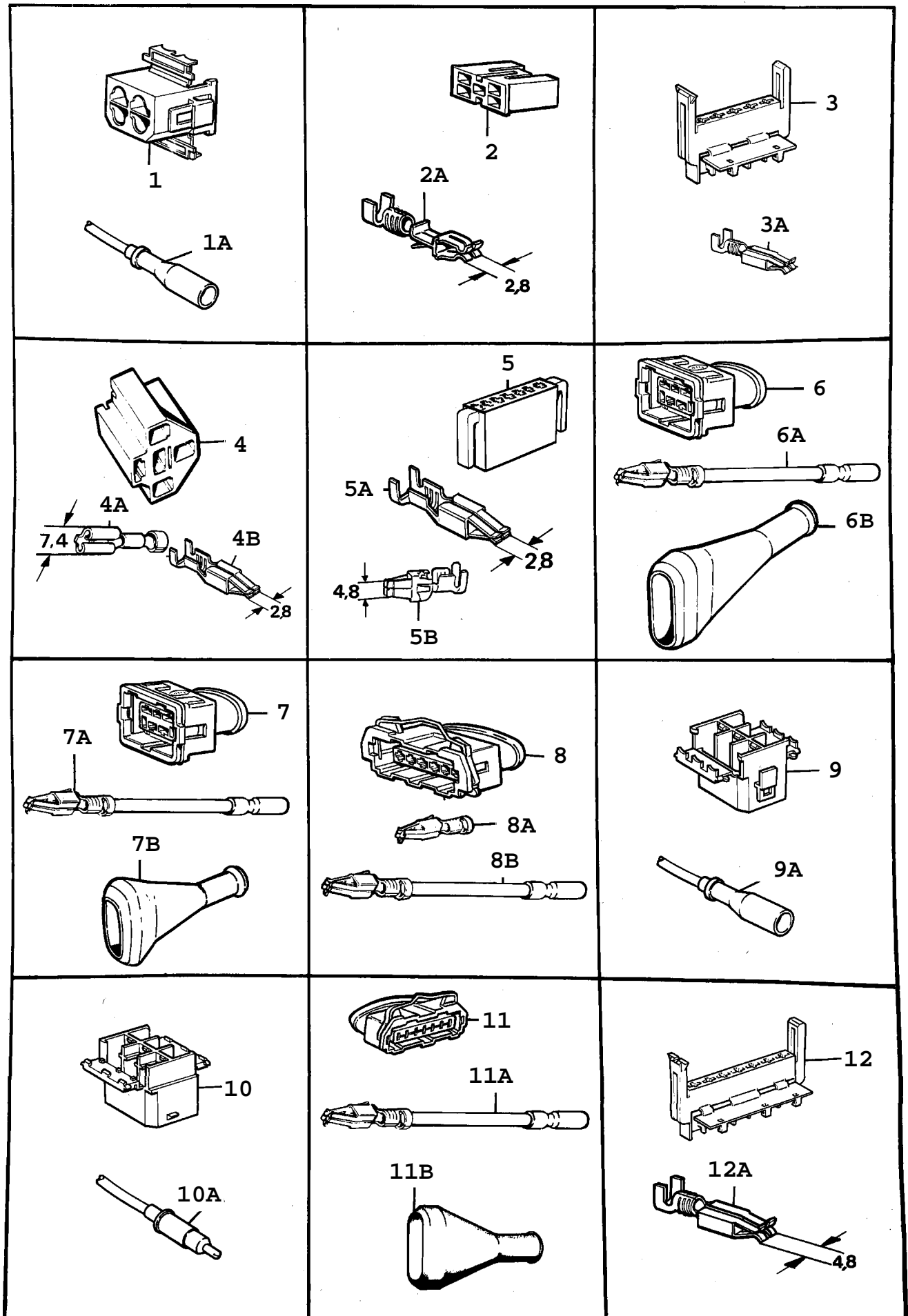


Rep.	N° de pièce	Article	Usage	Qté
1	85 33 655	Boîtier contact 8-poles, douille	ELECTRONIC UNIT SPEED CONTROL	
1A	91 20 791	Cosse	AREA, 2, 5-4, 0 MM2	X
2	91 24 181	Boîtier contact 8-poles, broche	EL-HEATED SEAT	X
2A	85 93 089	Cosse	AREA, 0, 5-1, 0 MM2	X
2A	85 16 957	Cosse	AREA, 4, 0-6, 0 MM2	X
3	91 24 090	Boîtier contact 8-poles, douille	SWITCH REAR DEMIST, DCC SWITCH SUN ROOF REGULA- TOR, CENTRAL LOCK, TOW HOOK, TRUNK LID, SWITCH CENTRAL LOCK, ON/OFF JOINT PIECE CABLE HARNESS ROOF	X
3A	91 20 791	Cosse	AREA, 2, 5-4, 0 MM2	X
3B	95 68 775	Isolant	NLS	X
4	95 12 930	Boîtier contact 9-poles, douille	LOCK STEERING COLUMN	X
4A	95 09 746	Cosse	AREA, 0, 5-1, 5 MM2	X
5	91 22 557	Boîte connexion 10-poles, broche	RADIO, BY-PASS, JOINT PIECE CABLE HARNESS ROOF, DIAGNOS UNIT	X
5A	95 52 100	Cosse	AREA, 0, 75-1, 5 MM2	X
5B	95 68 775	Isolant	NLS	X
6	91 23 399	Boîte connexion 10-poles, douille	REAR FOG LIGHT, SWITCH AC, RECIRCULATION AC, RADIO, FOG LIGHT EXTRA REOSTAT ELPAD, HEADLIGHT LEVELING, TEST CONNECTOR AIR-BAG, JOINT PIECE REOSTAT LIGHT INSTEP BY-PASS STOP LIGHT STARTER INHIBITOR, ACC	X
6A	91 20 668	Cosse	AREA, 0, 75-1, 5 MM2, NLS-USE 30520560	X
6A	91 20 957	Cosse	AREA, 1, 0-2, 5 MM2, NLS-USE 30520560	X
6B	95 68 775	Isolant	NLS	X
7	40 69 928	Boîte connexion 10-poles, broche	DIAGNOS WAGON, JOINT PIECE	X
7A	95 52 100	Cosse	AREA, 0, 75-1, 5 MM2	X
8	95 29 538	Boîtier contact 12-poles, douille	DIAGNOS AIR-BAG	X
8A	95 25 817	Cosse	AREA, 0, 2-0, 56 MM2	X
9	95 29 512	Boîtier contact 12-poles, broche	JOINT PIECE MAIN CABLE HARNESS/AIR-BAG	X
9A	95 26 401	Cosse	AREA, 0, 2-0, 56 MM2	X
10	95 03 020	Boîtier contact 14-poles, douille	INSTRUMENTS	X
10A	95 05 397	Cosse	AREA, 1, 5-2, 5 MM2	X
11	95 66 282	Boîtier contact 16-poles, douille	ELECTRONIC UNIT THEFT ALARM, EAS WITH MEMORY	X
11A	91 20 668	Cosse	AREA, 0, 75-1, 5 MM2, NLS-USE 30520560	X
11A	91 20 957	Cosse	AREA, 1, 0-2, 5 MM2, NLS-USE 30520560	X

Rep.	N° de pièce	Article	Usage	Qté
12	91 25 543	Boîtier contact 18-poles, douille	EL-DISTRIBUT. UNIT	X
12A	91 20 791	Cosse	AREA, 2, 5-4, 0 MM2	X

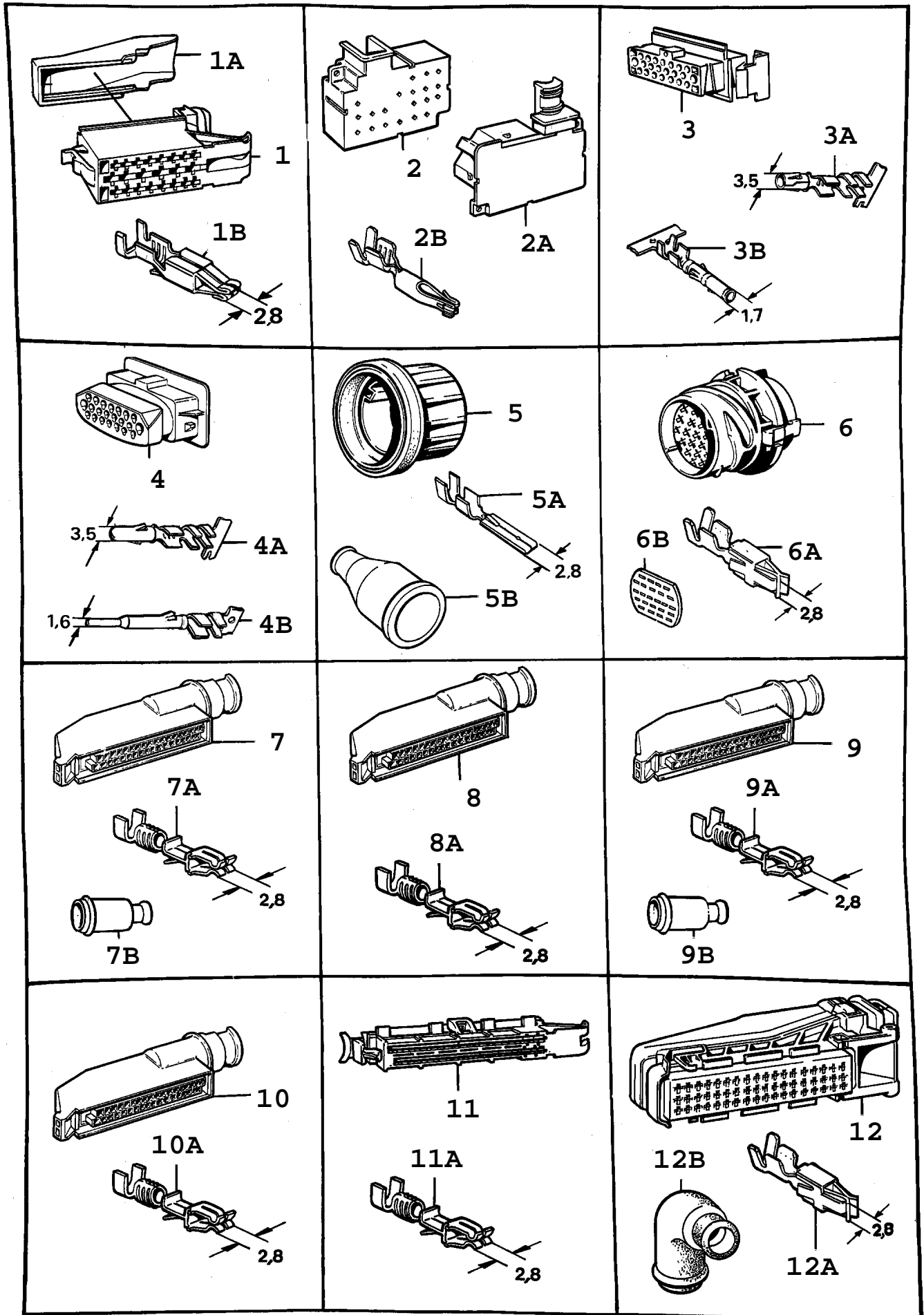
<p>1</p> <p>1A</p> <p>7,4</p>	<p>2</p> <p>2A</p> <p>3,5</p>	<p>3</p> <p>3A</p> <p>1,5</p>
<p>4</p> <p>4A</p> <p>2,8</p>	<p>5</p> <p>5A</p> <p>7,4</p>	<p>6</p> <p>6A</p> <p>4,8</p>
<p>7</p> <p>7A</p> <p>7,4</p>	<p>8</p> <p>8A</p> <p>7,4</p>	<p>9</p> <p>9A</p> <p>7,4</p>
<p>10</p> <p>10A</p> <p>7,4</p>	<p>11</p> <p>11A</p> <p>7,4</p>	<p>12</p> <p>12A</p> <p>2,8</p>

Rep.	N° de pièce	Article	Usage	Qté
1	95 03 251	Boîtier contact 7-poles, douille	HEATING FAN	X
1A	79 72 029	Cosse	AREA, 1, 0-2, 5 MM2, NLS-USE 8522534	X
1A	79 68 068	Cosse	AREA, 4, 0-6, 0 MM2	X
2	85 21 700	Contact 7-poles, douille	JOINT PIECE	X
2A	85 82 595	Cosse	AREA, 0, 5-2, 0 MM2	X
3	85 21 718	Boîtier contact 7-poles, broche	JOINT PIECE CABLE HAR- NESS DOORS	X
3A	85 82 603	Cosse	AREA, 0, 5-2, 0 MM2	X
4	40 61 479	Boîtier contact 7-poles, douille	VALVES	X
4A	40 61 586	Cosse	AREA, 1, 0-2, 5 MM2	X
5	85 44 363	Boîtier contact 8-poles, douille	SWITCH LIGHT	X
5A	85 60 476	Cosse	AREA, 0, 9-2, 0 MM2	X
5A	85 41 211	Cosse	AREA, 2, 5-4, 0 MM2	X
6	91 24 090	Boîtier contact 8-poles, douille	SWITCH REAR DEMIST, DCC SWITCH SUN ROOF REGULA- TOR, TOW HOOK SWITCH CENTRAL LOCK ON/OFF, JOINT PIECE CABLE HARNESS ROOF	X
6A	91 20 791	Cosse	AREA, 2, 5-4, 0 MM2	X
7	41 17 768	Boîtier de connecteur 8-poles, broche	HEATING PAD, JOINT PIECE MAIN CABLE HAR- NESS	X
7A	41 15 580	Cosse	AREA, 1, 0-2, 5 MM2	X
8	95 03 525	Boîtier contact 8-poles, douille	SWITCH WINDOW REGULATOR	X
8A	85 82 090	Cosse	AREA, 0, 5-1, 5 MM2	X
9	42 03 626	Boîtier de connecteur 8-poles, douille brun	RADIO	X
9A	91 20 957	Cosse	AREA, 1, 0-2, 5 MM2, NLS-USE 30520560	X
10	42 03 618	Boîtier de connecteur 8-poles, douille gris	RADIO	X
10A	91 20 957	Cosse	AREA, 1, 0-2, 5 MM2, NLS-USE 30520560	X
11	95 12 930	Boîtier contact 9-poles, douille	LOCK STEERING COLUMN	X
11A	95 09 746	Cosse	AREA, 0, 5-1, 5 MM2	X
12	91 23 399	Boîte connexion 10-poles, douille	SWITCH AC, RECIRKULATION AC, FOG LIGHT EXTRA, REOSTAT ELPAD, HEADLIGHT LEVELLING, SWITCH TCS TEST CONNECTOR AIR-BAG JOINT PIECE, REOSTAT LIGHT INSTEP, BOOT LID JOINT PIECE REAR CABLE HARNESS, JOINT PIECE	X
12A	91 20 668	Cosse	AREA, 0, 75-1, 5 MM2, NLS-USE 30520560	X
12A	91 20 957	Cosse	AREA, 1, 0-2, 5 MM2, NLS-USE 30520560	X

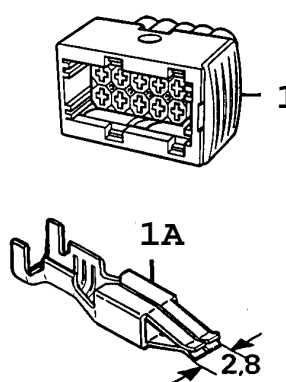
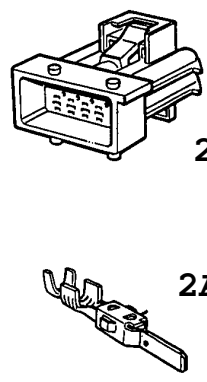
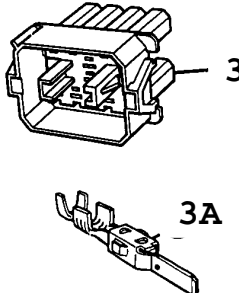
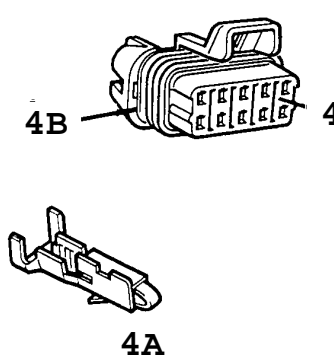
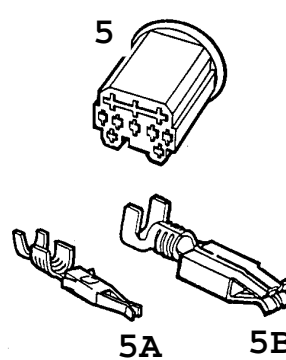
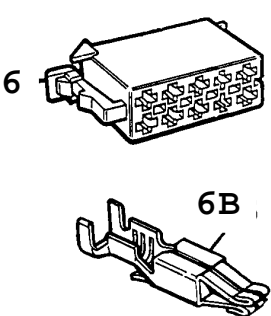
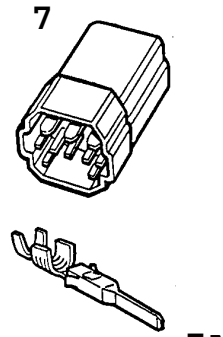
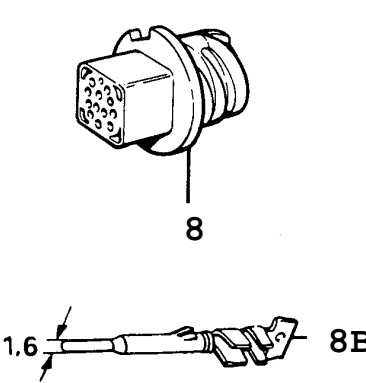
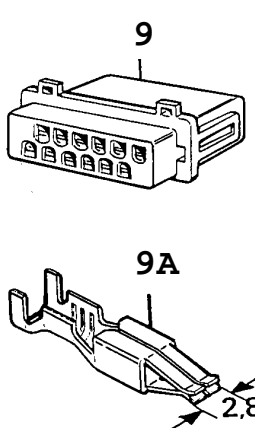
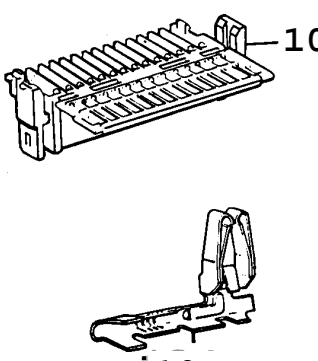
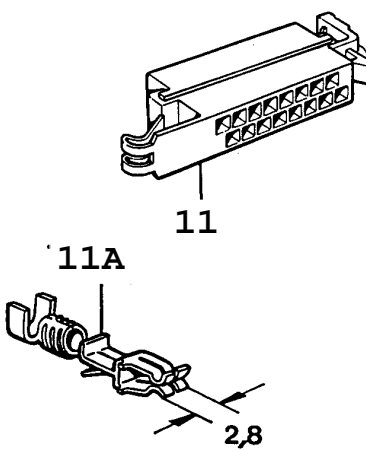
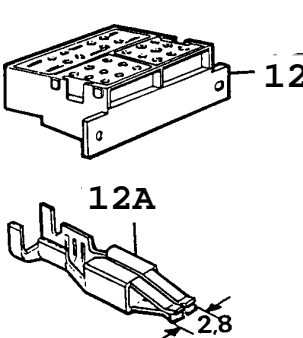


Rep.	N° de pièce	Article	Usage	Qté
1	95 03 434	Boîtier contact 4-poles, douille	CONTROL UNIT ACC, JOINT PIECE, PRESSURE SWITCH	X
1A	78 74 498	Connexion		X
2	91 23 555	Boîtier contact 4-poles, douille	FAN INDOOR TEMP	X
2A	95 08 714	Cosse	AREA, 0, 3-0, 6 MM2, NLS-USE 30520560	X
3	91 22 789	Boîtier contact 5-poles, douille	RESISTOR HEATING FAN	X
3A	91 20 775	Cosse	AREA, 0, 5-1, 0 MM2	X
3A	91 20 767	Cosse	AREA, 4, 0-6, 0 MM2	X
4	85 33 697	Boîtier contact 5-poles, douille	RELAY WINDOW REGULATOR TIME RELAY COOLING FAN, REAR FOG LIGHT EXTRA DIM DIP	X
4A	79 71 708	Cosse	AREA, 0, 5-1, 5 MM2	X
4A	79 72 029	Cosse	AREA, 1, 0-2, 5 MM2, NLS-USE 8522534	X
4A	79 68 068	Cosse	AREA, 4, 0-6, 0 MM2	X
4B	91 20 775	Cosse	AREA, 0, 5-1, 0 MM2	X
5	91 24 173	Boîtier contact 5-poles, douille	GEAR INDICATOR, JOINT PIECE	X
5A	91 20 775	Cosse	AREA, 0, 5-1, 0 MM2	X
5A	95 21 972	Cosse	AREA, 0, 5-1, 0 MM2	X
5B	91 20 783	Cosse	AREA, 1, 0-2, 5 MM2	X
6	95 19 414	Boîtier contact 5-poles, douille	SENSOR ABS	X
6A	85 22 617	Cosse	AREA, 1, 0-2, 6 MM2	X
6B	85 79 955	Protection	AREA, 1, 0-2, 5 MM2	X
7	95 19 455	Boîtier contact 5-poles, douille	LEVEL ABS	X
7A	85 22 617	Cosse	AREA, 1, 0-2, 6 MM2	X
7B	95 19 430	Protection		X
8	85 93 931	Boîtier contact 6-poles, douille	AIR MESS METER LH	X
8A	85 21 593	Cosse	AREA, 0, 5-1, 5 MM2	X
8B	85 22 617	Cosse	AREA, 1, 0-2, 6 MM2	X
9	95 03 475	Boîtier contact 6-poles, douille	JOINT PIECE	X
9A	78 74 498	Connexion		X
10	95 06 668	Boîtier contact 6-poles, broche	JOINT PIECE	X
10A	78 74 506	Connexion		X
11	85 93 949	Boîtier contact 7-poles, douille	EZK, POWER STAGE, VALVE	X
11A	85 21 593	Cosse	AREA, 0, 5-1, 5 MM2	X
11B	85 22 617	Cosse	AREA, 1, 0-2, 6 MM2	X
11C	85 74 048	Protection	NLS	X
12	91 22 797	Boîtier contact 7-poles, douille	THEFT ALARM, SWITCH DIRECTION INDICATOR, SWITCH SPEED CONTROL TAIL LIGHT REAR FOG LIGHT, JOINT PIECE	X
12A	91 20 775	Cosse	AREA, 0, 5-1, 0 MM2	X

Rep.	N° de pièce	Article	Usage	Qté
12A	91 20 783	Cosse	AREA, 1, 0-2, 5 MM2	X
12A	91 20 791	Cosse	AREA, 2, 5-4, 0 MM2	X

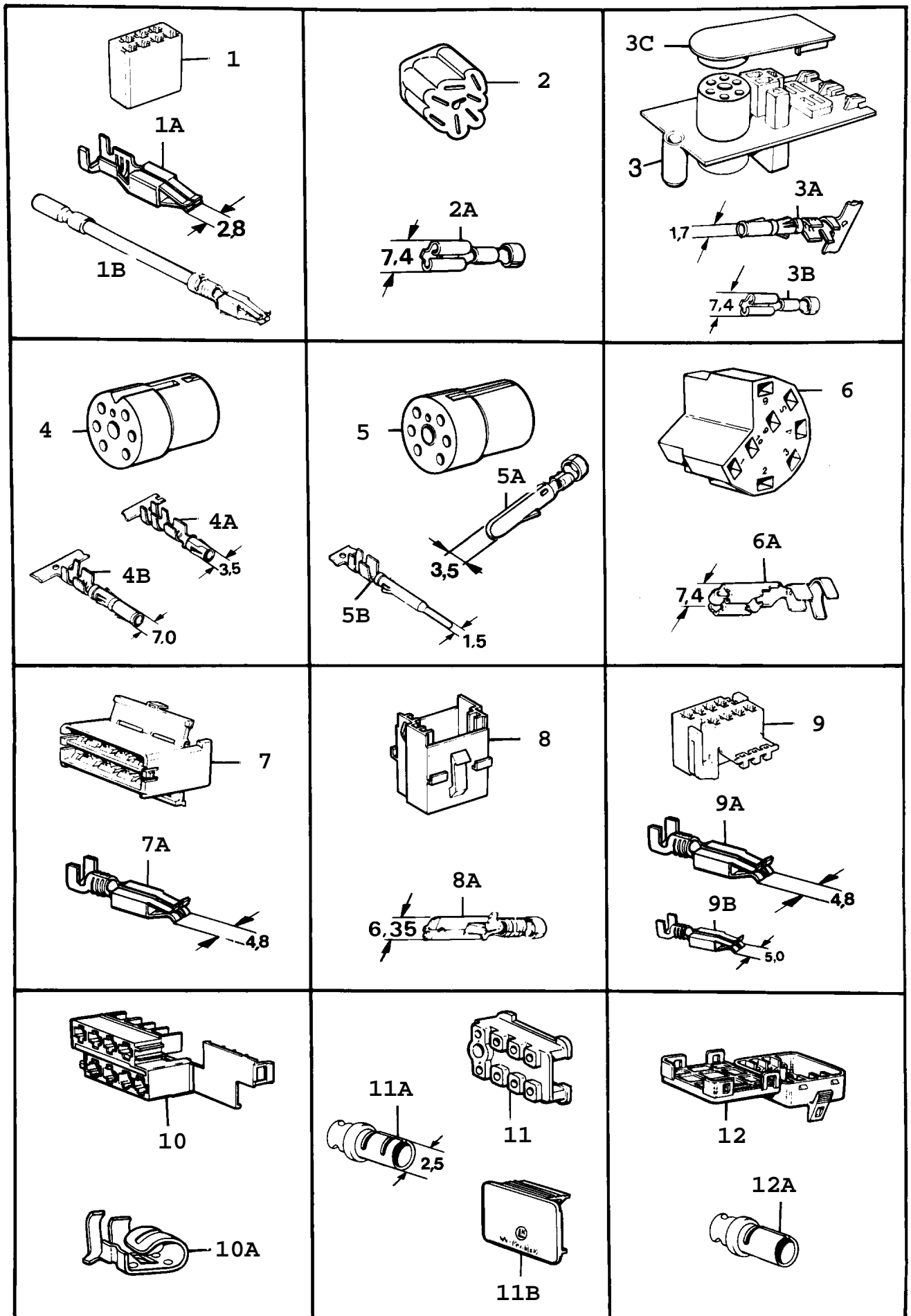


Rep.	N° de pièce	Article	Usage	Qté
1	40 60 893	Boîtier contact 19-poles, douille	SWITCH CENTRE CONSOLE	X
1A	40 67 617	Capot		X
1B	91 20 957	Cosse	AREA, 1, 0-2, 5 MM2, NLS-USE 30520560	X
2	95 27 755	Boîtier contact 20-poles, douille	ELECTRONIC UNIT AIR-BAG	X
2A	95 27 763	Boîtier contact		X
2B	95 27 771	Cosse	AREA, 0, 5 MM2	X
3	95 25 106	Boîtier contact 22-poles, douille	JOINT PIECE FRONT DOORS	X
3A	85 82 595	Cosse	AREA, 0, 5-2, 0 MM2	X
3B	85 87 552	Cosse	AREA, 0, 5-1, 5 MM2	X
4	95 25 114	Boîtier contact 22-poles, broche	JOINT PIECE DOORS	X
4A	85 82 603	Cosse	AREA, 2, 0-4, 0 MM2	X
4B	85 93 964	Cosse	AREA, 0, 8-1, 5 MM2	X
5	40 60 877	Boîtier contact 24-poles, broche	JOINT PIECE MAIN CABLE HARNESS	X
5A	40 63 376	Cosse	AREA, 1, 0-2, 5 MM2	X
5B	41 11 308	Protection en caoutchouc		X
5C	45 88 349	Anneau verrouillage		X
6	40 60 885	Boîtier contact 24-poles, douille	JOINT PIECE CABLE HARNESS ENGINE, NLS-USE 4176244	X
6A	40 61 586	Cosse	AREA, 1, 0-2, 5 MM2	X
6B	43 52 936	Joint		X
7	91 25 519	Boîtier contact 35-poles, douille	ELECTRONIC UNIT LH	X
7A	91 20 668	Cosse	AREA, 0, 75-1, 5 MM2, NLS-USE 30520560	X
7B	85 87 511	Protection en caoutchouc		X
8	40 68 441	Boîtier contact 35-poles, douille	ELECTRONIC UNIT ABS	X
8A	91 20 957	Cosse	AREA, 1, 0-2, 5 MM2, NLS-USE 30520560	X
9	95 66 266	Boîtier contact 38-poles, douille	ELECTRONIC UNIT APC/DI, NLS-USE 4109310	X
9A	91 20 668	Cosse	AREA, 0, 75-1, 5 MM2, NLS-USE 30520560	X
9B	91 20 106	Protection		X
10	41 09 310	Boîtier contact 38-poles, douille	ELECTRONIC UNIT ETS	X
10A	91 20 957	Cosse	AREA, 1, 0-2, 5 MM2, NLS-USE 30520560	
11	95 65 045	Boîtier contact 39-poles, douille	ELECTRONIC UNIT ACC, EDU	X
11A	40 63 970	Cosse	AREA, 0, 5-1, 0 MM2	X
11A	91 20 957	Cosse	AREA, 1, 0-2, 5 MM2, NLS-USE 30520560	X
12	40 61 446	Boîtier contact 55-poles, douille	ELECTRONIC UNIT ABS/TCS	X
12A	40 61 586	Cosse	AREA, 1, 5-2, 5 MM2	X
12B	40 67 492	Protection		X

 <p>1</p> <p>1A</p> <p>2,8</p>	 <p>2</p> <p>2A</p>	 <p>3</p> <p>3A</p>
 <p>4B</p> <p>4</p> <p>4A</p>	 <p>5</p> <p>5A</p> <p>5B</p>	 <p>6</p> <p>6B</p>
 <p>7</p> <p>7A</p>	 <p>8</p> <p>8B</p> <p>1,6</p>	 <p>9</p> <p>9A</p> <p>2,8</p>
 <p>10</p> <p>10A</p>	 <p>11</p> <p>11A</p> <p>2,8</p>	 <p>12</p> <p>12A</p> <p>2,8</p>

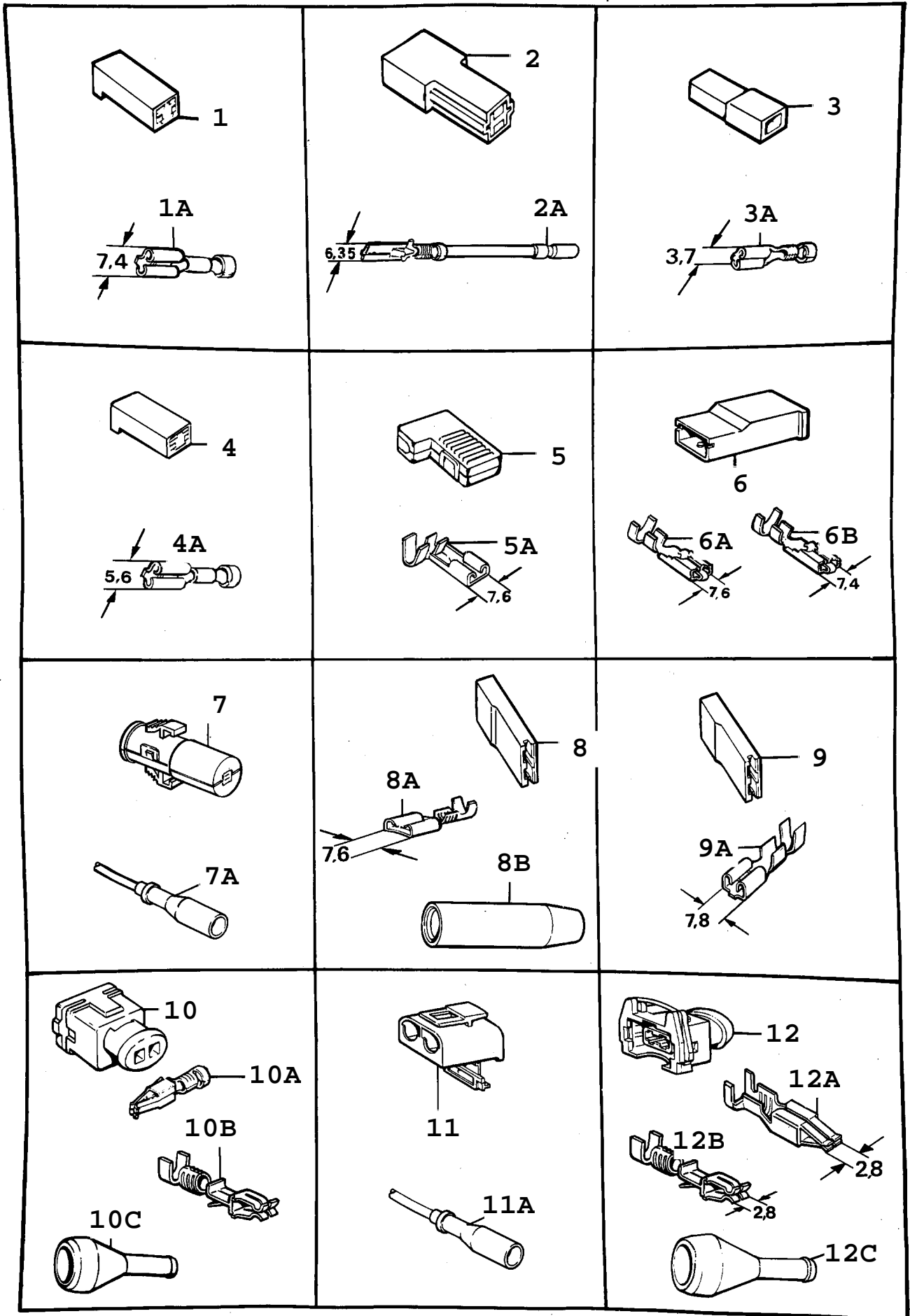
CAC94 F7561

Rep.	N° de pièce	Article	Usage	Qté
1	41 14 005	Boîtier de connecteur 10-poles, douille	ABS, JOINT PIERCE CABLE HARNESS FRONT, BULB CONTROL, JOINT PIERCE MAIN CABLE HAR- NESS, DI-CASSETTE	X
1A	91 20 957	Cosse	AREA, 1, 0-2, 5 MM2, NLS-USE 30520560	X
1A	40 61 586	Cosse	AREA, 1, 0-2, 5 MM2	X
2	41 14 054	Boîtier de connecteur 10-poles, broche	JOINT PIERCE ENGINE	X
2A	41 15 192	Cosse	AREA, 1, 0-2, 5 MM2	X
3	41 17 461	Boîte connexion 10-poles, broche	DIAGNOS ENGINE, JOINT PIERCE CABLE HARNESS ROOF JOINT PIECE, JOINT PIERCE MAIN CABLE HARNESS CODING THEFT ALARM	X
3A	41 15 077	Cosse	AREA, 1, 0 2, 5 MM2, NLS-USE 12789934	X
3A	41 15 085	Cosse	AREA, 1, 0 2, 5 MM2	X
4	42 03 568	Boîtier de connecteur 10-poles, douille	SPEED CONTROL SYSTEM	X
4A	44 18 505	Cosse	AREA, 0, 5-1, 0 MM2	X
4B	42 03 576	Verrouillage		X
5	44 11 518	Boîtier de connecteur 10-poles, douille	JOINT PIERCE REAR DOOR PROGR. TRIONIC	X
5A	41 15 499	Cosse	AREA, 0, 5-1, 0 MM2, NLS-USE 12790414	X
5B	91 20 957	Cosse	AREA, 1, 0-2, 5 MM2, NLS-USE 30520560	X
6	42 03 634	Boîtier de connecteur 10-poles, douille	LHD, US, AMPLIFIER	X
6A	91 20 957	Cosse	AREA, 1, 0-2, 5 MM2, NLS-USE 30520560	X
7	44 10 510	Boîtier de connecteur 10-poles, broche	JOINT PIERCE REAR DOOR	X
7A	41 15 077	Cosse	AREA, 1, 0-2, 5 MM2, NLS-USE 12789934	X
8	95 29 512	Boîtier contact 12-poles, broche	JOINT PIERCE MAIN CABLE HARNESS/AIR-BAG	X
8A	95 26 401	Cosse	AREA, 0, 2-0, 56 MM2	X
9	95 25 031	Boîtier contact 12-poles, douille	ELECT-RONIC UNIT CENTRAL LOCK	X
9A	91 20 957	Cosse	AREA, 1, 0-2, 5 MM2, NLS-USE 30520560	X
10	95 03 020	Boîtier contact 14-poles, douille	INSTRUMENTS	X
10A	95 05 397	Cosse	AREA, 1, 5-2, 5 MM2	X
11	95 66 282	Boîtier contact 16-poles, douille	EAS WITH MEMORY	X
11A	91 20 668	Cosse	AREA, 0, 75-1, 5 MM2, NLS-USE 30520560	X
12	91 25 543	Boîtier contact 18-poles, douille	EL-DISTRIBUT. UNIT	X
12A	91 20 791	Cosse	AREA, 2, 5-4, 0 MM2	X



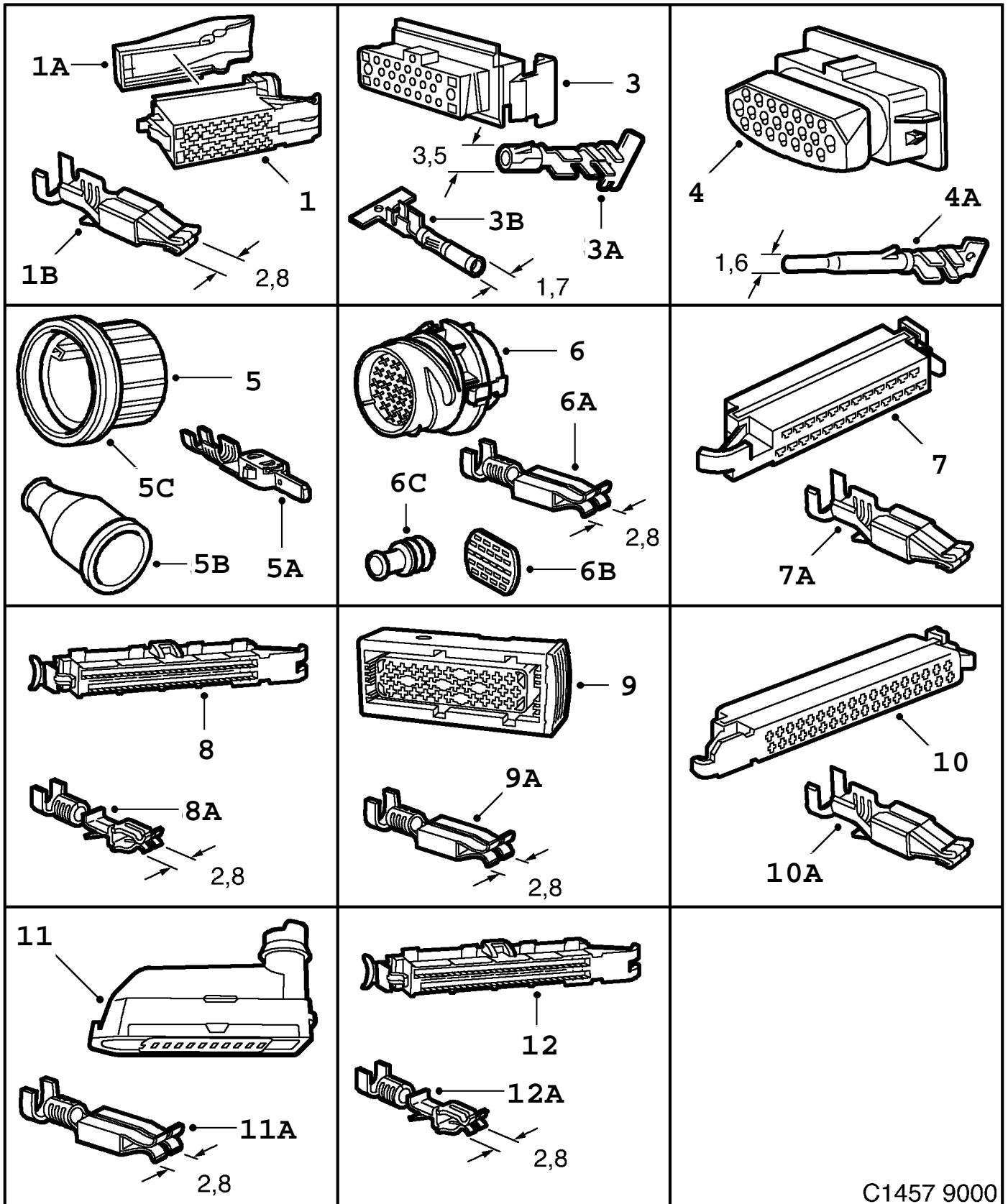
Rep.	N° de pièce	Article	Usage	Qté
1	91 23 381	Boîtier contact 7-poles, douille	SWITCH ELECTRIC MIRROR	X
1A	85 21 593	Cosse	AREA, 0, 5-1, 5 MM2	X
1B	85 22 617	Cosse	AREA, 1, 0-2, 6 MM2	X
2	95 03 251	Boîtier contact 7-poles, douille	HEATING FAN	X
2A	79 72 029	Cosse	AREA, 1, 0-2, 5 MM2, NLS-USE 8522534	X
3	95 12 591	Contact 7-poles, douille	TEST CONNECTOR	X
3A	85 87 552	Cosse	AREA, 0, 5-1, 5 MM2	X
3A	85 87 560	Cosse	AREA, 1, 0-2, 5 MM2	X
3B	85 82 454	Cosse	AREA, 0, 5-1, 05MM2	X
3C	95 20 974	Couvercle		X
4	85 21 700	Contact 7-poles, douille	JOINT PIECE	X
4A	85 44 298	Cosse	AREA, 0, 5-2, 0 MM2, NLS-USE 8582595	X
4B	85 87 552	Cosse	AREA, 0, 5-1, 5 MM2	X
5	85 21 718	Boîtier contact 7-poles, broche	JOINT PIECE	X
5A	85 44 314	Cosse	AREA, 0, 5-2, 0 MM2, NLS-USE 8582603	X
5B	85 93 964	Cosse	AREA, 0, 5-1, 5 MM2	X
6	85 44 363	Boîtier contact 8-poles, douille	SWITCH REAR FOGLIGHT	X
6A	85 41 203	Cosse	AREA, 0, 5-1, 5 MM2, NLS-USE 8560476	X
6A	85 41 211	Cosse	AREA, 2, 5-4, 0 MM2	X
7	85 33 655	Boîtier contact 8-poles, douille	ELECTRONIC UNIT SPEED CONTROL	
7A	91 20 775	Cosse	AREA, 0, 5-1, 5 MM2	X
8	91 24 181	Boîtier contact 8-poles, broche	JOINT PIECE, EL-HEATED SEAT, EDU II	X
8A	85 93 089	Cosse	AREA, 0, 5-1, 0 MM2	X
8A	71 55 062	Cosse	AREA, 0, 8-2, 5 MM2, NLS-USE 8522542	X
8A	85 16 957	Cosse	AREA, 4, 0-6, 0 MM2	X
9	91 24 090	Boîtier contact 8-poles, douille	JOINT PIECE, SWITCH REAR DEMIST, SWITCH SUN ROOF, REGULATOR, SWITCH SUN CENTRAL LOCK, TOW HOOK, ACC, TRUNK LID SWITCH CENTRAL LOCK ON/OFF, SWITCH FAN, DCC EDU ALARM	X
9A	91 20 775	Cosse	AREA, 0, 5-1, 0 MM2	X
9A	91 20 783	Cosse	AREA, 1, 0-2, 5 MM2	X
9A	91 20 791	Cosse	AREA, 2, 5-4, 0 MM2	X
9B	95 21 972	Cosse	AREA, 0, 5-1, 0 MM2	X
9B	95 21 980	Cosse	AREA, 1, 5-2, 5 MM2, NLS-USE 30520556	X
10	95 03 525	Boîtier contact 8-poles, broche	SWITCH WINDOW REGULATOR	X
10A	85 82 090	Cosse	AREA, 0, 5-1, 5 MM2	X

Rep.	N° de pièce	Article	Usage	Qté
11	95 52 159	Boîtier contact 8-poles, douille	ELECTRONIC UNIT BELT TENSIONER	X
11A	95 52 175	Cosse		X
11B	95 52 167	Couvercle		X
12	95 12 930	Boîtier contact 9-poles, douille	LOCK STEERING COLUMN	X
12A	95 09 746	Cosse	AREA, 0, 5-1, 5 MM2	X



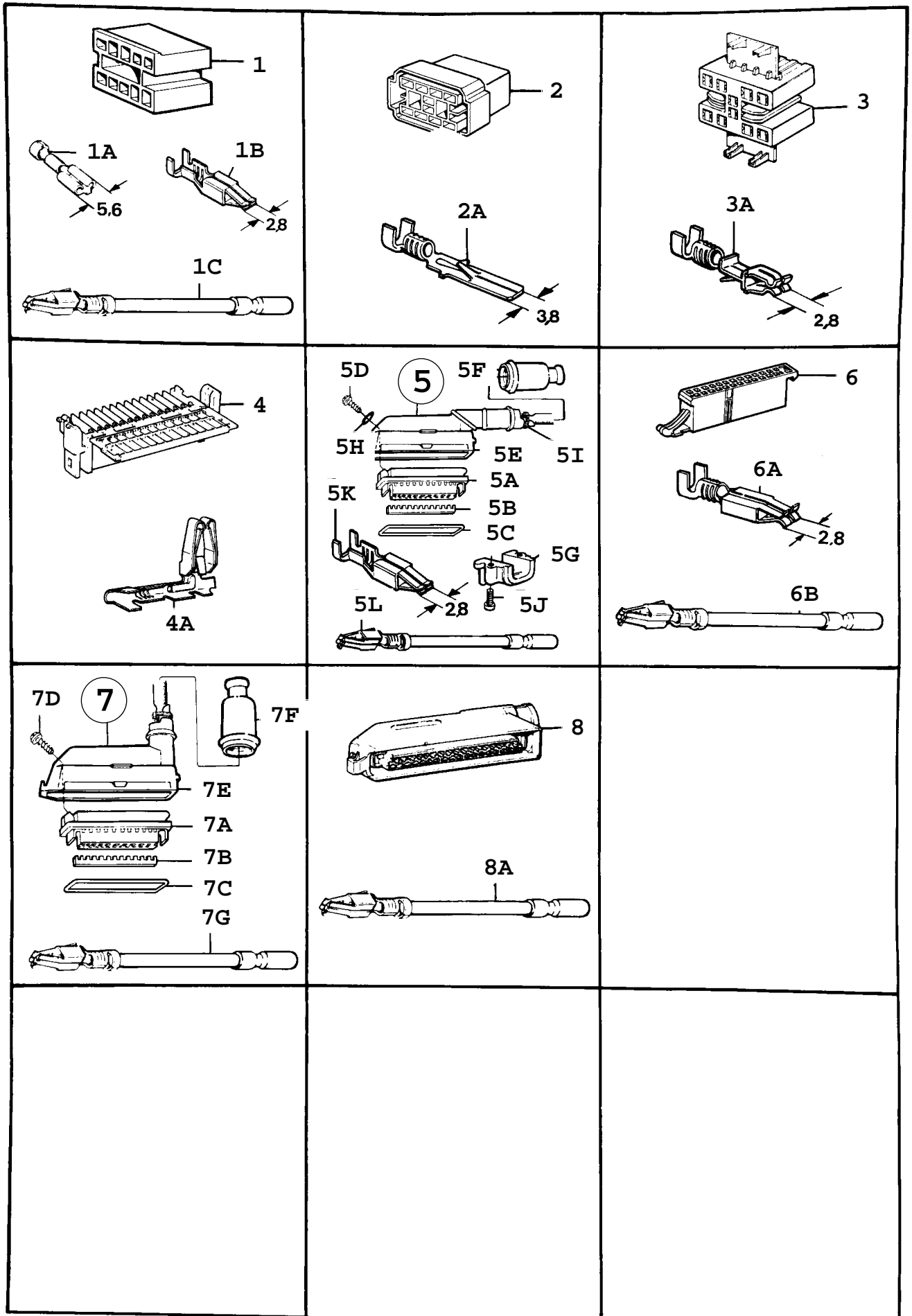
Rep.	N° de pièce	Article	Usage	Qté
1	71 55 112	Boîtier contact 1-poles, douille	IGNITION PULS, MAKE UP MIRROR, HIGH MOUNTED STOP LIGHT STOP LIGHT	X
1A	79 71 708	Cosse	AREA, 0, 5-1, 5 MM2	X
1A	85 22 534	Cosse	AREA, 0, 5-1, 5 MM2	X
2	71 55 120	Boîtier contact 1-poles, broche	EL-MIRROR, EL-CENTRAL LIGHT GEAR INDICATOR	X
2A	85 22 542	Cosse	AREA, 1, 0-2, 6 MM2	X
3	85 30 115	Boîtier contact 1-poles, broche	LOUDSPEAKER	X
3A	85 30 107	Cosse	AREA, 0, 5-1, 0 MM2	X
4	85 33 184	Boîtier contact 1-poles, broche	LOUDSPEAKER	X
4A	85 82 439	Cosse	AREA, 0, 5-1, 5 MM2	X
5	85 21 692	Boîtier contact 1-poles, douille	IGNITION COIL, REAR DEMIST, LIGHT ASH TRAY, ENGINE COMPARTMENT LIGHT	X
5A	85 22 526	Cosse	AREA, 0, 5-1, 5 MM2	X
5A	85 21 684	Cosse	AREA, 1, 0-2, 5 MM2, NLS-USE 8522526	X
6	85 41 229	Douille d'isolation 1-poles, broche	SPOTLIGHT, SAFETY BELT WARNING, SWITCH SPOT- LIGHT, LIGHT INSTEP LIGHT NUMBER PLATE GLOVE COMPARTMENT LIGHT	X
6A	85 41 203	Cosse	AREA, 0, 5-1, 5 MM2, NLS-USE 8560476	X
6B	85 60 476	Cosse	AREA, 0, 9-2, 0 MM2	X
7	95 03 418	Boîte connexion 1-poles, douille	COMPRESSOR	X
7A	85 47 796	Bloc connexion		X
8	85 16 916	Isolant 1-poles, douille	THERMO CONTACT, LIGHT ASH TRAY, SWITCH HORN, HORN, LIGHT LUGGAGE COM- PARTMENT, FOG LIGHT SWITCH HAND BRAKE STARTER MOTOR, JOINT PIECE REAR DOOR	X
8A	71 55 716	Cosse	AREA, 0, 5-1, 5 MM2	X
8A	85 14 036	Cosse	AREA, 1, 5-2, 5 MM2	X
8B	95 69 997	Protection		X
9	83 78 630	Boîtier contact 2-poles, douille	PEDAL CONTACT SPEED CONTROL, JOINT PIECE BRAKE, JOINT PIECE CLUTCH	X
9A	85 22 575	Câblage	AREA, 0, 5-1, 4 MM2	X
10	85 93 899	Boîtier contact 2-poles, douille	AUXILIARY AIR VALVE INJECTION VALVE, KNOCK SENSOR, FUEL SYSTEM MAIN VALVE, VENTILATION COLD START VALVE BY-PASS, TEMP SENSOR	X
10A	85 21 593	Cosse	AREA, 0, 5-1, 5 MM2	X
10B	91 20 668	Cosse	AREA, 0, 75-1, 5 MM2, NLS-USE 30520560	X
10C	85 21 619	Protection		X

Rep.	N° de pièce	Article	Usage	Qté
11	95 03 319	Boîtier contact 2-poles, douille	EL. WINDOW REGULATOR STD FAN, LEVEL GUARD RADIATOR, LEVEL SWITCH WASHER MOTOR, FAN AC FOG LIGHT, JOINT PIECE OUTER TEMP, JOINT PIECE THERMO CONTACT, MICRO SWITCH, FAN, FOG LIGHT EXTRA, ABS, SWITCH, HORN SWITCH BRAKE LIGHT, BY- PASS, APC DISSANGAGEMENT THEFT ALARM, JOINT PIECE TRUNK LID, DOOR FAN	X
11A	85 47 796	Bloc connexion		X
12	85 93 915	Boîtier contact 2-poles, douille	THERMO SWITCH	X
12A	85 21 593	Cosse	AREA, 0, 5-1, 5 MM2	X
12B	91 20 668	Cosse	AREA, 0, 75-1, 5 MM2, NLS-USE 30520560	X
12C	85 71 382	Protection		X

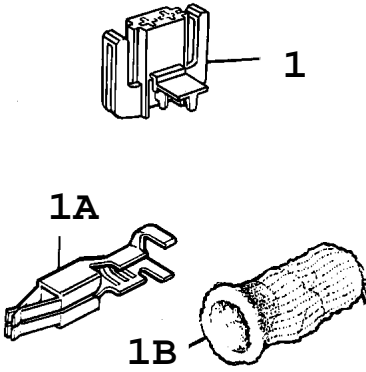
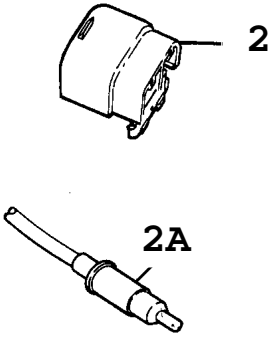
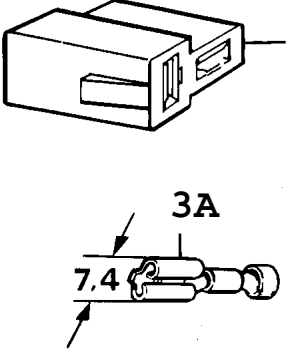
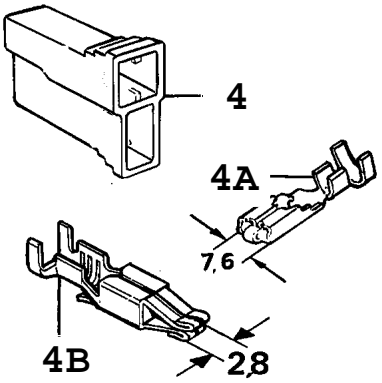
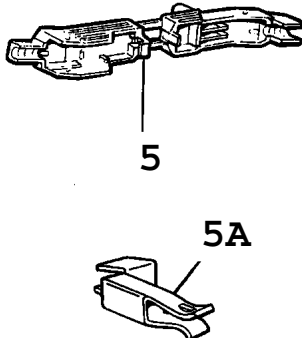
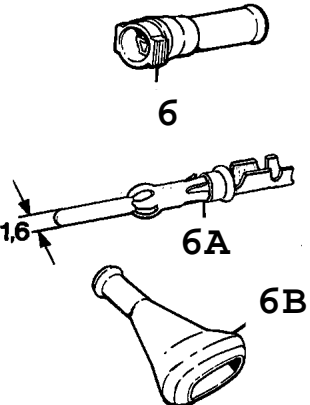
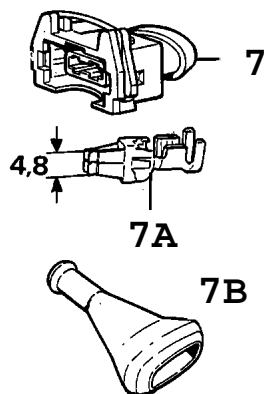
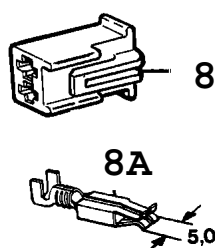
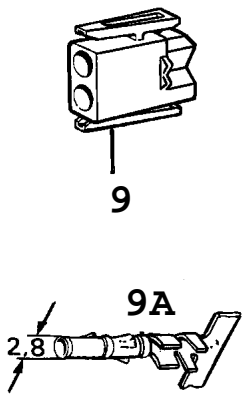
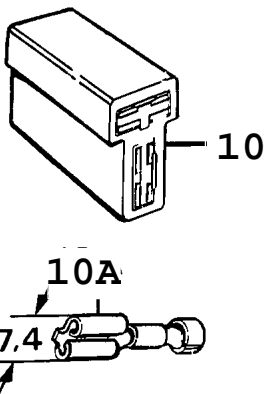
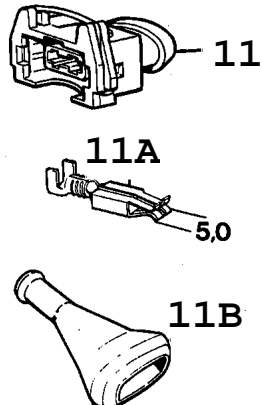
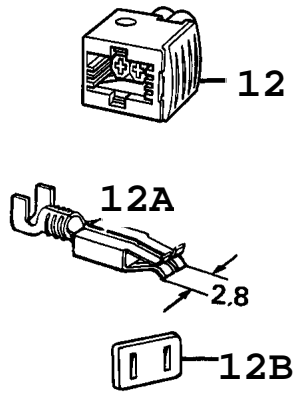


C1457 9000
 03B/0570

Rep.	N° de pièce	Article	Usage	Qté
1	40 60 893	Boîtier contact 19-poles, douille	SWITCH CENTRE CONSOLE	X
1A	40 67 617	Capot		X
1B	91 20 957	Cosse	AREA, 1, 0-2, 5 MM2, NLS-USE 30520560	X
3	95 25 106	Boîtier contact 22-poles, douille	JOINT PIECE FRONT DOORS	X
3A	85 82 595	Cosse	AREA, 0, 5-2, 0 MM2	X
3B	85 87 552	Cosse	AREA, 0, 5-1, 5 MM2	X
4	95 25 114	Boîtier contact 22-poles, broche	JOINT PIECE DOORS	X
4A	85 93 964	Cosse	AREA, 0, 8-1, 5 MM2	X
5	41 74 868	Boîtier de connecteur 24-poles, broche	JOINT PIECE CABLE HARNESS FRONT	X
5A	41 15 192	Cosse	AREA, 1, 0-2, 5 MM2	X
5B	41 11 308	Protection en caoutchouc		X
5C	45 88 349	Anneau verrouillage		X
6	41 76 244	Boîtier de connecteur 24-poles, douille	JOINT PIECE MAIN CABLE HARNESS	X
6A	40 61 586	Cosse	AREA, 1, 0-2, 5 MM2	X
6B	43 52 936	Joint		X
6C	40 61 958	Joint	BLIND PLUG, NLS-USE 12798370	X
6C	40 61 966	Joint	1,2-2,0 MM	X
6C	40 61 974	Joint	2,1-2,0 MM	X
7	42 01 323	Boîtier de connecteur 25-poles, douille	ELECTRONIC UNIT THEFT ALARM	X
7A	91 20 957	Cosse	AREA, 1, 0-2, 5 MM2, NLS-USE 30520560	X
8	41 76 186	Boîtier de connecteur 25-poles, douille	LHD, US, AMPLIFIER	X
8A	91 20 957	Cosse	AREA, 1, 0-2, 5 MM2, NLS-USE 30520560	X
9	41 14 609	Boîtier de connecteur 29-poles, douille	DIAGNOSTIC UNIT AIR-BAG	X
9A	91 20 957	Cosse	AREA, 1, 0-2, 5 MM2, NLS-USE 30520560	X
10	42 03 659	Boîtier de connecteur 35-poles, douille	TCS	X
10A	91 20 957	Cosse	AREA, 1, 0-2, 5 MM2, NLS-USE 30520560	X
11	41 75 428	Boîtier de connecteur 38-poles, douille	ELECTRONIC UNIT ETS	X
11A	91 20 957	Cosse	AREA, 1, 0-2, 5 MM2, NLS-USE 30520560	X
12	95 65 045	Boîtier contact 39-poles, douille	ELECTRONIC UNIT ACC, EDU	X
12A	40 63 970	Cosse	AREA, 0, 5-1, 0 MM2	X
12A	91 20 957	Cosse	AREA, 1, 0-2, 5 MM2, NLS-USE 30520560	X



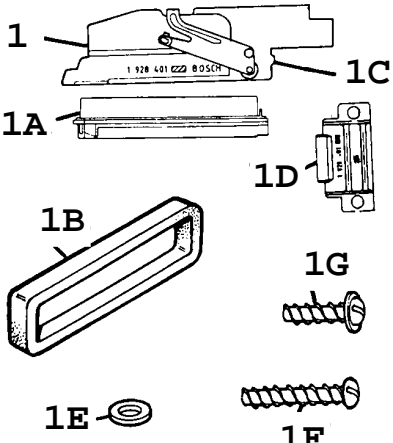
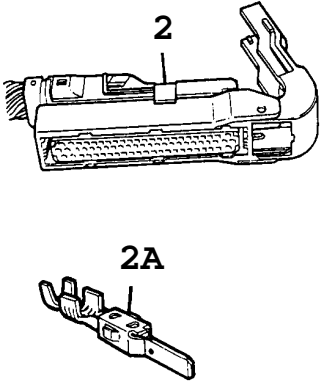
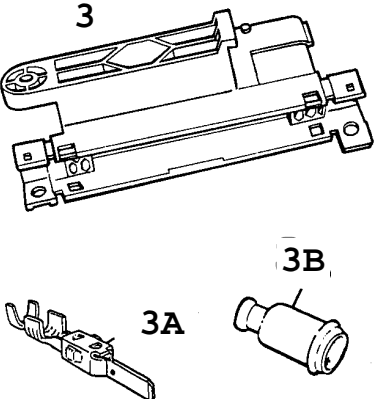
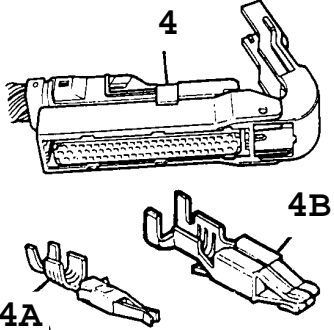
Rep.	N° de pièce	Article	Usage	Qté
1	85 44 371	Boîte connexion 10-poles, douille	LEVEL CONTROL, NLS	X
1A	85 44 389	Cosse	AREA, 0, 5-1, 5 MM2	X
1B	85 21 593	Cosse	AREA, 0, 5-1, 5 MM2	X
1C	85 22 617	Cosse	AREA, 1, 0-2, 6 MM2	X
2	91 22 557	Boîte connexion 10-poles, broche	RADIO	X
2A	95 52 100	Cosse	AREA, 0, 75-1, 5 MM2	X
3	91 23 399	Boîte connexion 10-poles, douille	REAR FOG LIGHT, SWITCH AC, RECIRCULATION AC, RADIO, REOSTAT, FOG LIGHT EXTRA, REOSTAT EL- PAD	X
3A	95 08 706	Cosse	AREA, 0, 75-1, 5 MM2, NLS-USE 30520560	X
3A	95 08 714	Cosse	AREA, 0, 3-0, 6 MM2, NLS-USE 30520560	X
3A	95 08 748	Cosse	AREA, 1, 5-2, 5 MM2, NLS-USE 30520560	X
4	95 03 020	Boîtier contact 14-poles, douille	INSTRUMENTS	X
4A	95 05 397	Cosse	AREA, 1, 5-2, 5 MM2	X
5	85 79 930	Boîtier contact 25-poles, douille	ELECTRONIC UNIT LH, NLS	X
5A	85 87 420	*Boîtier contact		1
5B	85 87 438	*Gâche		1
5C	85 87 453	*Joint		1
5D	85 87 487	*Vis		1
5E	85 87 412	*Capot	NLS	1
5F	85 87 446	*Bague	NLS	1
5G	85 87 495	*Support	NLS	1
5H	85 87 461	*Joint		1
5I	79 71 872	*Ruban serrage	(8558256)	1
5J	79 71 351	*Vis		2
5K	85 21 593	Cosse	AREA, 0, 5-1, 5 MM2	X
5L	85 22 617	Cosse	AREA, 1, 0-2, 6 MM2	X
6	95 06 650	Boîtier contact 25-poles, douille	ELECTRONIC UNIT ACC	X
6A	85 21 593	Cosse	AREA, 0, 5-1, 5 MM2	X
6B	85 22 617	Cosse	AREA, 1, 0-2, 6 MM2	X
7	85 86 802	Boîtier contact 25-poles, douille	EZK, APC	X
7A	85 87 420	*Boîtier contact		1
7B	85 87 438	*Gâche		1
7C	85 87 453	*Joint		1
7D	85 87 487	*Vis		1
7E	85 87 503	*Capot		1
7F	85 87 511	*Protection en caoutchouc		1
7G	85 22 617	Cosse	AREA, 1, 0-2, 6 MM2	X
8	85 39 363	Boîtier contact 35-poles, douille	ELECTRONIC UNIT ABS	X
8A	85 22 617	Cosse	AREA, 1, 0-2, 6 MM2	X

 <p>1 1A 1B</p>	 <p>2 2A</p>	 <p>3 3A 7.4</p>
 <p>4 4A 7.6 4B 2.8</p>	 <p>5 5A</p>	 <p>6 6A 1.6 6B</p>
 <p>7 7A 4.8 7B</p>	 <p>8 8A 5.0</p>	 <p>9 9A 2.8</p>
 <p>10 10A 7.4</p>	 <p>11 11A 5.0 11B</p>	 <p>12 12A 2.8 12B</p>

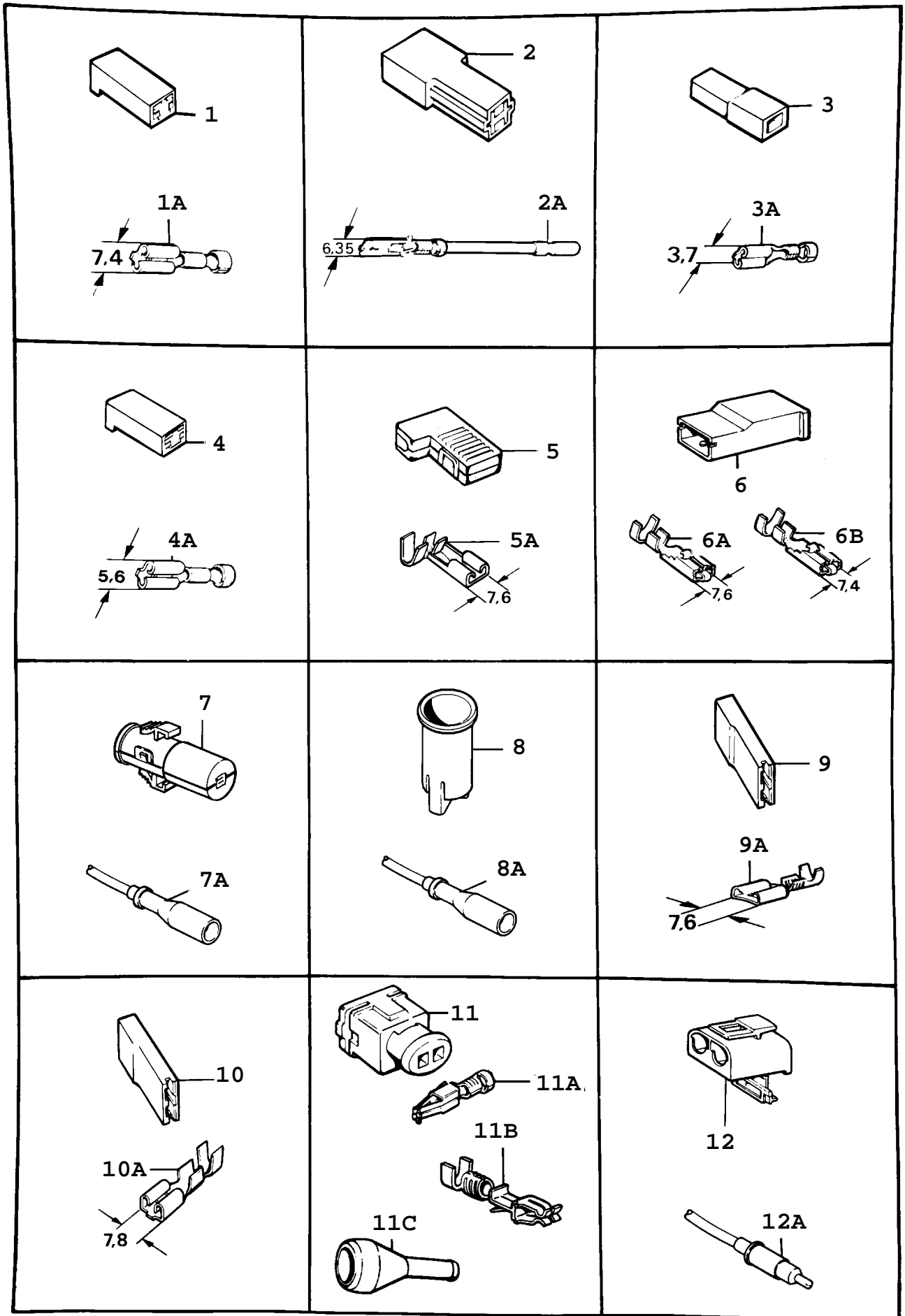
F3814 CAC93

Rep.	N° de pièce	Article	Usage	Qté
1	91 24 157	Boîtier contact 2-poles, douille	LIGHT MIRROR, ACC, LIGHT CONTROLS, FAN AC, MOTOR ANTENNA	X
1A	91 20 783	Cosse	AREA, 1, 0-2, 5 MM2	X
1A	91 20 791	Cosse	AREA, 2, 5-4, 0 MM2	X
1B	95 68 775	Isolant	NLS	X
2	95 01 685	Boîtier contact 2-poles, broches	JOINT PIECE, ENGINE COMPARTMENT LIGHT, JOINT PIECE MAIN CABLEHARNESS JOINT PIECE CABLEHARNESS FRONT, SWITCH LUGGAGE COMPARTMENT LOCK	X
2A	85 47 770	Bloc connexion		X
3	85 58 538	Boîtier contact 2-poles, douille	CIGARETTE LIGHTER ELECTRONIC UNIT BELT TENSIONER	X
3A	85 82 454	Cosse	AREA 0, 5-1, 5 MM2	X
3A	85 22 534	Cosse	AREA 0, 8-2, 1 MM2	X
4	85 74 949	Boîtier contact 2-poles, douille	SPEED SENSOR	X
4A	85 60 476	Cosse	AREA 0, 9-2, 0 MM2	X
4B	91 20 957	Cosse	AREA 1, 0-2, 5 MM2, NLS-USE 30520560	X
6	95 19 406	Boîtier contact 2-poles, broches	SENSOR ABS	X
6A	95 19 398	Cosse	AREA, 0, 8-1, 5 MM2	X
6B	85 79 955	Protection		X
7	95 19 422	Boîtier contact 2-poles, douille	PUMP ABS	X
7A	91 20 791	Cosse	AREA, 2, 5-4, 0 MM2	X
7B	85 79 955	Protection		X
8	91 23 548	Boîtier contact 2-poles, douille	SIGNAL, THEFT ALARM CONTROL LAMP LIGHT, LOUDSPEAKER, BY-PASS DOOR SWITCH, LIGHT CENTRE CONSOL, JOINT PIECE MAIN CABLE HARNESS	X
8A	91 20 668	Cosse	AREA, 0, 75-1, 5 MM2, NLS-USE 30520560	X
9	95 25 809	Boîtier contact 2-poles, douille	INFLATOR AIR-BAG	X
9A	95 25 817	Cosse	AREA, 0, 2-0, 56 MM2	X
10	71 55 096	Boîte connexion 2-poles, broches	SWITCH BRAKE LIGHT	X
10A	79 71 708	Cosse	AREA, 0, 5-1, 5 MM2	X
11	85 97 064	Boîtier contact 2-poles, douille	IDLE COMPENSATOR	X
11A	91 20 957	Cosse	AREA, 1, 0-2, 5 MM2, NLS-USE 30520560	X
11B	85 71 382	Protection		X
12	41 13 205	Boîtier de connecteur 2-poles, douille	RESISTOR DAY DRIVING LIGHT, SPEED SENSOR, NLS-USE 12788933	X
12A	40 61 586	Cosse	AREA, 1, 0-2, 5 MM2	X

Rep.	N° de pièce	Article	Usage	Qté
12B	41 14 310	Joint		X

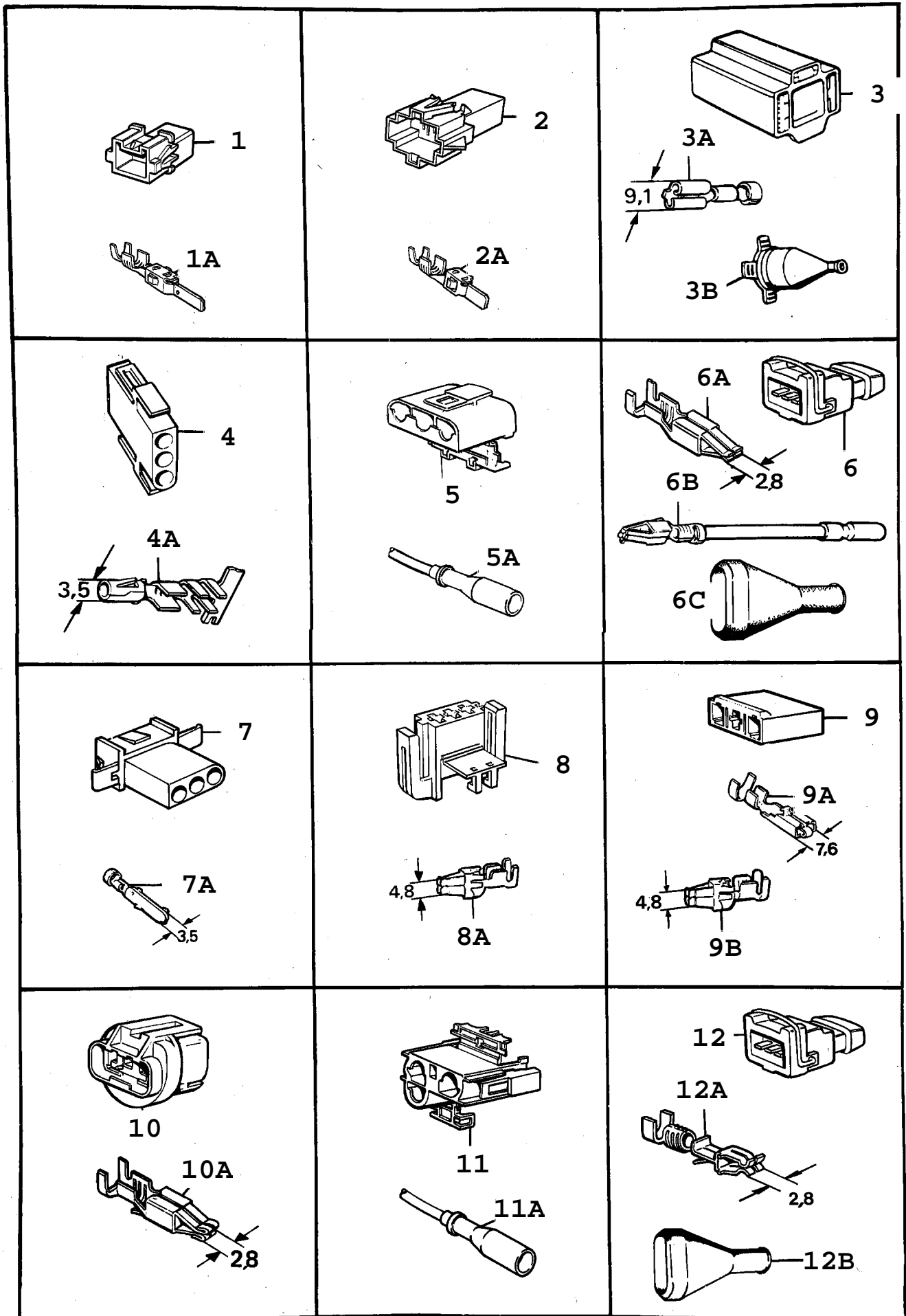
 <p>1 1A 1B 1C 1D 1E 1F 1G</p>	 <p>2 2A</p>	 <p>3 3A 3B</p>
 <p>4 4A 4B</p>		

Rep.	N° de pièce	Article	Usage	Qté
1	45 17 629	Boîtier de connecteur 55-poles, douille	ELECTRONIC UNIT MOTRONIC	X
1A	42 24 630	*Boîtier de connecteur Note: N'est pas une pièce de rechange distincte.		1
1B	42 24 655	*Joint Note: N'est pas une pièce de rechange distincte.		1
1C	45 17 637	*Capot Note: N'est pas une pièce de rechange distincte.		1
1D	45 17 652	*Joint Note: N'est pas une pièce de rechange distincte.		1
1E	85 87 461	Joint		1
1F	42 23 483	Vis		1
1G	42 23 574	Vis		1
1H	91 20 957	Cosse	NLS-USE 30520560	X
2	41 76 616	Boîtier de connecteur 70-poles, douille	ELECTRONIC UNIT TRIONIC	X
2A	43 54 353	Cosse	AREA, 0, 5-1, 0 MM2	X
2A	40 61 586	Cosse	AREA, 1, 5-2, 5 MM2	X
3	43 54 692	Boîtier de connecteur 70-poles, douille	JOINT MAIN CABLE HARNESS	X
3	45 35 530	Cosse	AREA, 0, 5-1, 0 MM2	X
3A	45 38 625	Cosse	AREA, 0, 5-1, 0 MM2, NLS-USE 4516043	X
3A	41 15 192	Cosse	AREA, 1, 0-2, 5 MM2	X
3B	43 54 239	Joint gris		X
3B	43 54 239	Joint blanc		X
4	41 76 624	Boîtier de connecteur 70-poles, douille	JOINT ENGINE	X
4A	43 54 353	Cosse	AREA, 0, 5-1, 0 MM2	X
4B	40 61 586	Cosse	AREA, 1, 5-2, 5 MM2	X



Rep.	N° de pièce	Article	Usage	Qté
1	71 55 112	Boîtier contact 1-poles, douille	IGNITION PULS, JOINT PIECE, SIGNAL	X
1A	79 71 708	Cosse	AREA, 0, 5-1, 5 MM2	X
1A	71 55 153	Cosse	AREA, 0, 8-2, 1 MM2, NLS-USE 8522534	X
1A	85 82 397	Cosse	AREA, 1, 0-2, 5 MM2, NLS	X
1A	85 82 546	Cosse	AREA, 4, 0-6, 0 MM2	X
2	71 55 120	Boîtier contact 1-poles, broche	JOINT PIECE, EL-MIRROR EL-CENTRAL	X
2A	85 22 542	Cosse	AREA, 1, 0-2, 6 MM2	X
3	85 30 115	Boîtier contact 1-poles, broche	LOUDSPEAKER, TUBE, JOINT PIECE	X
3A	85 30 107	Cosse	AREA, 0, 5-1, 0 MM2	X
4	85 33 184	Boîtier contact 1-poles, broche	LOUDSPEAKER, PRESSURE SENSOR APC, JOINT PIECE, TUBE	X
4A	85 33 028	Cosse	AREA, 0, 5-1, 5 MM2, NLS-USE 8582439	X
5	85 21 692	Boîtier contact 1-poles, douille	LIGHT INSTEP, IGNITION COIL, JOINT PIECE, SWITCH BRAKE LIGHT PRESSURE SWITCH, SWITCH ENGINE COMPARTMENT LIGHT	X
5A	85 21 676	Cosse	AREA, 0, 5-1, 5 MM2, NLS-USE 8522526	X
5A	85 22 526	Cosse	AREA, 0, 5-1, 5 MM2 (8582421)	X
5A	85 21 684	Cosse	AREA, 1, 0-2, 5 MM2, NLS-USE 8522526	X
6	85 41 229	Douille d'isolation 1-poles, broche	LIGHT INSTEP, SAFETY BELT WARNING, SWITCH SPOTLIGHT, JOINT PIECE	X
6A	85 41 203	Cosse	AREA, 0, 5-1, 0 MM2, NLS-USE 8560476	X
6B	85 60 476	Cosse	AREA, 0, 9-2, 0 MM2	X
7	95 03 418	Boîte connexion 1-poles, douille	COMPRESSOR, JOINT PIECE	X
7A	78 74 498	Connexion		X
8	95 03 426	Boîte connexion 1-poles, broche	JOINT PIECE	X
8A	78 74 498	Connexion		X
9	85 16 916	Isolant 2-poles, douille	STARTER, SPEED CONTROL JOINT PIECE, HAND BRAKE, APC PRESSURE SENSOR PRESSURE SWITCH, BRAKE CONTACT, THERMO CONTACT LAMBDA SOND, THROTTLE- SWITCH GEAR INDICATOR TEMP SENSOR GEAR INDI- CATOR, CIGARETTE LIGHTE	X
9A	85 14 036	Cosse	AREA, 0, 3-0, 8 MM2	X
9A	85 14 028	Cosse	AREA, 0, 3-0, 8 MM2, NLS-USE 7155716	X
9A	71 55 716	Cosse	AREA, 0, 5-1, 5 MM2	X
9A	71 55 039	Cosse	AREA, 1, 0-2, 5 MM2, NLS	X

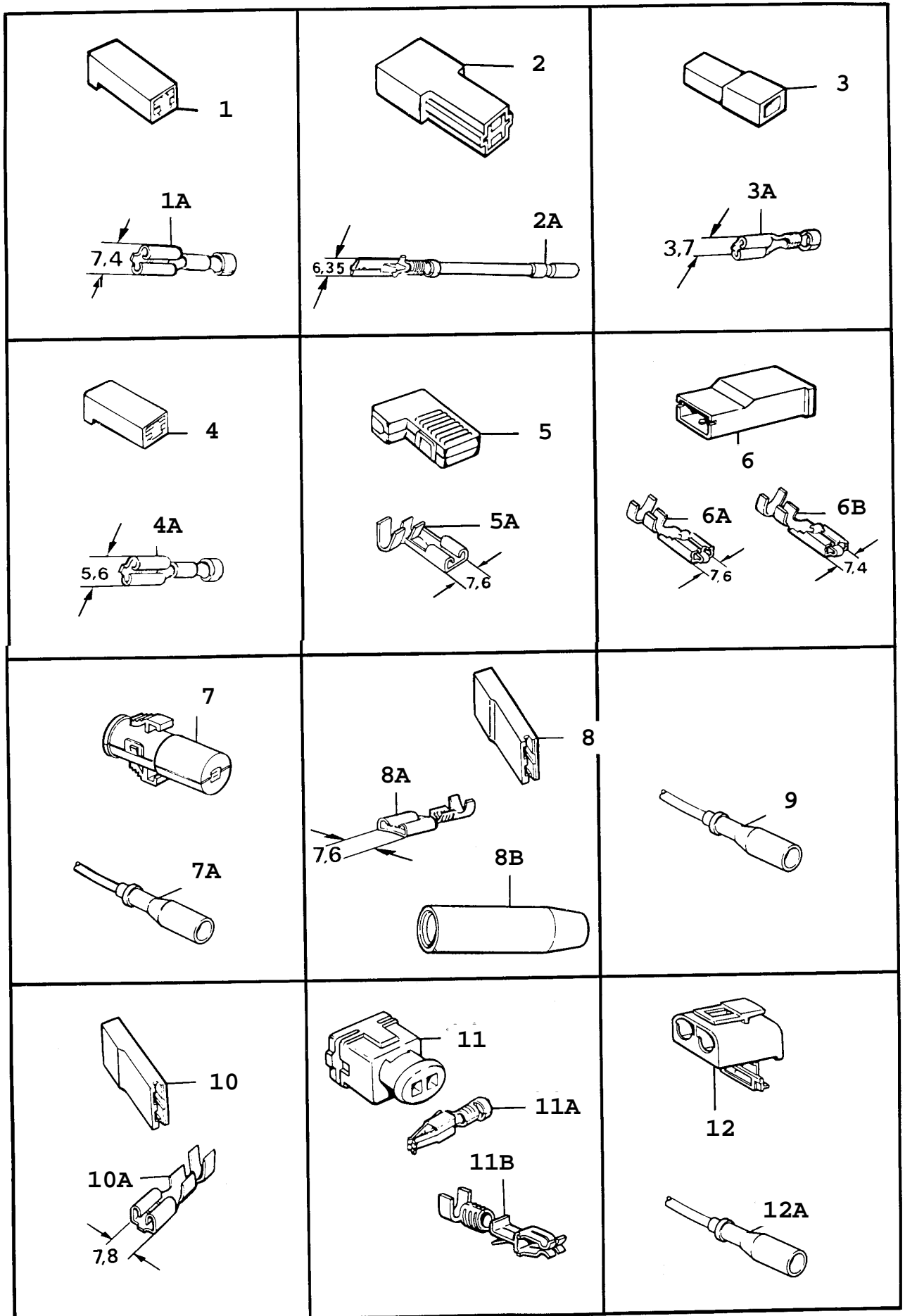
Rep.	N° de pièce	Article	Usage	Qté
10	83 78 630	Boîtier contact 2-poles, douille	PEDAL CONTACT	X
10A	85 09 846	Cosse	AREA, 0, 5-1, 4 MM2, NLS-USE 8522575	X
11	85 93 899	Boîtier contact 2-poles, douille	AUXILIARY AIR VALVE INJECTION VALVE, KNOCK SENSOR, JOINT PIECE EZK, APC, SENSOR ABS VENTILATION	X
11A	85 21 593	Cosse	AREA, 0, 5-1, 5 MM2	X
11B	91 20 668	Cosse	AREA, 0, 75-1, 5 MM2, NLS-USE 30520560	X
11C	85 21 619	Protection		X
12	95 03 319	Boîtier contact 2-poles, douille	EL. WINDOW REGULATOR CENTRAL LOCK, STD FAN SOLENOID VALVE APC WASHER PUMP, LEVEL SWITCH, WASHER MOTOR FAN MOTOR, FAN AC, OIL LEVEL, JOINT PIECE SWITCH BACK-UP LIGHT OUTER TEMP, PRESSURE SWITCH GEAR INDICATOR FEED PUMP, ACC, LEVEL SWITCH WASHER PUMP, FAN APC, FOG LIGHT EXTRA ABS, JOINT PIECE CABLE HARNESS ENGINE, JOINT PIECE ENGINE COMPARTMENT LIGHT	X
12A	78 74 506	Connexion		X



F3815 CAC93

Rep.	N° de pièce	Article	Usage	Qté
1	41 17 164	Boîtier de connecteur 2-poles, broches	JOINT PIECE TEMP SENSOR SIDE INDICATOR LAMP	X
1A	41 15 077	Cosse	AREA, 1, 0-2, 5 MM2, NLS-USE 12789934	X
2	41 17 560	Boîtier de connecteur 2-poles, broches	JOINT PIECE MAIN CABLE HARNESS	X
2A	41 15 580	Cosse	AREA, 1, 0-2, 5 MM2	X
3	71 55 021	Boîtier contact 3-poles, douille	HEADLIGHT	X
3A	85 82 413	Cosse	AREA, 1, 3-3, 4 MM2	X
3B	85 52 721	Protège-câble		X
4	85 64 916	Boîtier contact 3-poles, douille	JOINT PIECE, JOINT PIECE B-PILLAR LH AND RH	X
4A	85 82 595	Cosse	AREA, 0, 5-2, 0 MM2	X
5	95 03 277	Boîtier contact 3-poles, douille	SPEED CONTROL, HEADLIGHT WIPERS, WIPER MOTOR, CENTRAL LOCK, ABS, FAN HEADLIGHT LEVELLING BY-PASS, THEFT ALARM DOOR, PRESSURE MONITOR AC	X
5A	85 47 796	Bloc connexion		X
5A	85 47 812	Bloc connexion		X
6	85 93 907	Boîtier contact 3-poles, douille	THROTTLE SWITCH, SOLE- NOIDX VALVE APC	
6A	85 21 593	Cosse	AREA, 0, 5-1, 5 MM2	X
6A	91 20 668	Cosse	AREA, 0, 75-1, 5 MM2, NLS-USE 30520560	X
6B	85 22 617	Cosse	AREA, 1, 0-2, 6 MM2	X
6C	85 79 955	Protection		X
7	85 64 924	Boîtier contact 3-poles, broche	JOINT PIECE, NUMBER PLATE LIGHT, JOINT PIECE CABLE HARNESS DOORS JOINT PIECE TRUNK LID	X
7A	85 82 603	Cosse	AREA 0, 5-2, 0 MM2	X
7A	85 44 322	Cosse	AREA 2, 0-4, 0 MM2	X
8	91 24 165	Boîtier contact 3-poles, douille	JOINT PIECE, LIGHT ASH TRAY REAR, ELECTRONIC UNIT REOSTAT, CLOCK SPEEDOMETER, REOSTAT JOINT PIECE PASSENGER SEAT, SEAT CONTACT SPEED SENSOR, ELECTRONIC UNIT SPEED WARNING DEVICE, AMPLIFIER	X
8A	91 20 791	Cosse	AREA 2, 5-4, 0 MM2	X
9	95 07 658	Boîtier contact 3-poles, douille	SWITCH INNER LIGHT	X
9A	85 60 476	Cosse	AREA 0, 9-2, 0 MM2	X
9B	91 20 791	Cosse	AREA 2, 5-4, 0 MM2	X
10	95 14 803	Boîtier contact 3-poles, douille	LHD, US, HEADLIGHT	X
10A	91 20 668	Cosse	AREA, 0, 75-1, 5 MM2, NLS-USE 30520560	X
10A	91 20 957	Cosse	AREA, 1, 0-2, 5 MM2, NLS-USE 30520560	X

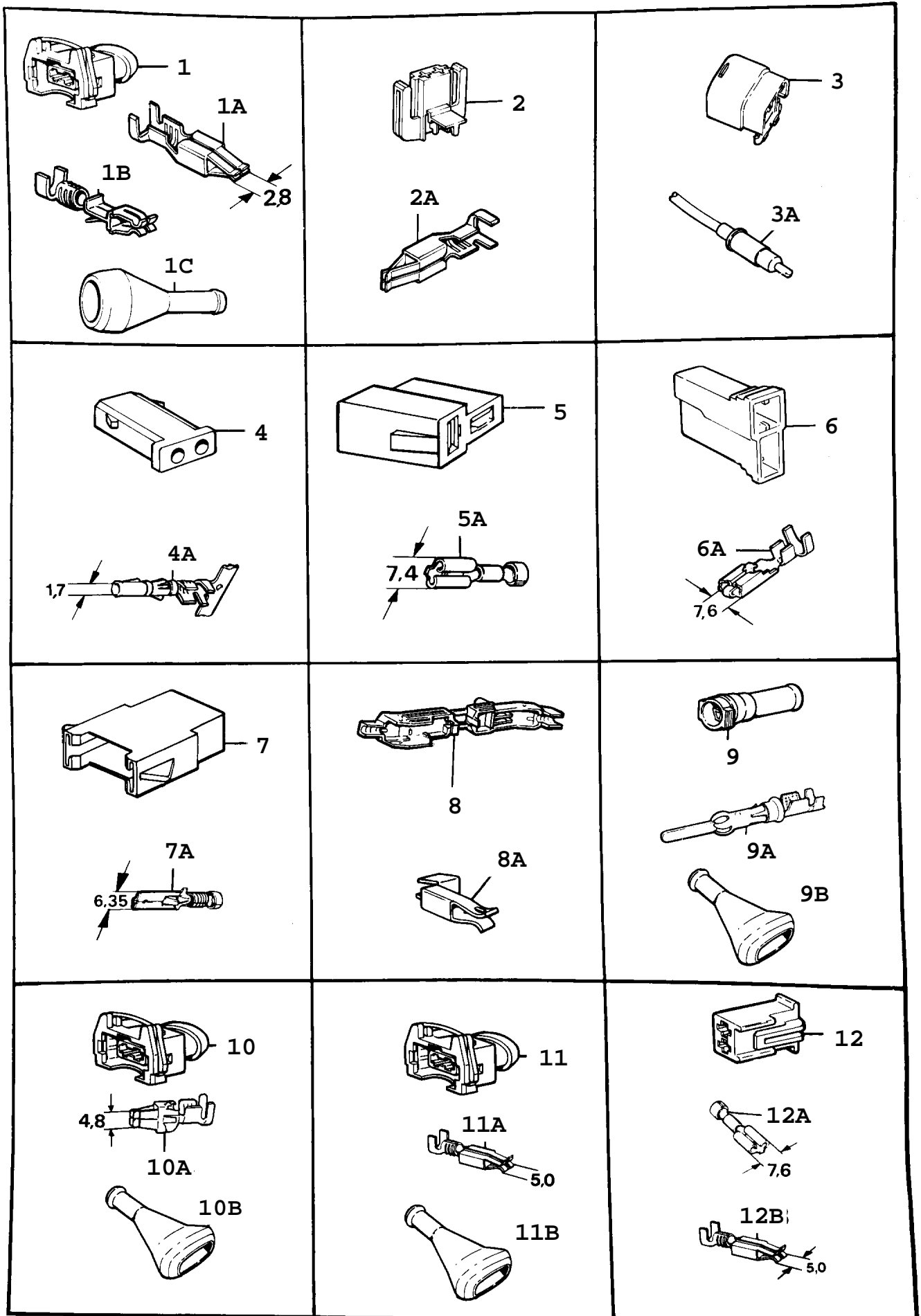
Rep.	N° de pièce	Article	Usage	Qté
11	95 19 679	Boîtier contact 3-poles, douille	DIRECTION LIGHT, SIDE BACK-UP LIGHT	X
11A	85 47 796	Bloc connexion		X
11A	78 74 498	Connexion		X
12	85 93 923	Boîtier contact 3-poles, douille	IDLE COMPENSATOR	X
12A	91 20 668	Cosse	AREA 0, 75-1, 0 MM2, NLS-USE 30520560	X
12A	91 20 957	Cosse	AREA 1, 0-2, 5 MM2, NLS-USE 30520560	X
12B	85 79 955	Protection		X



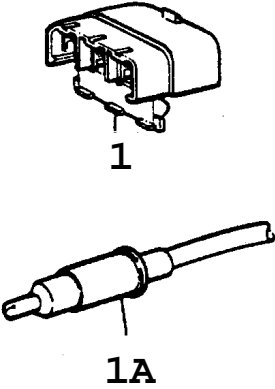
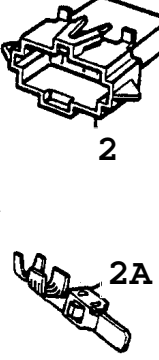
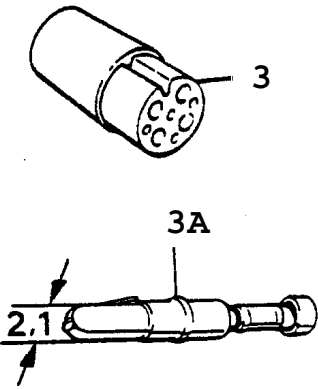
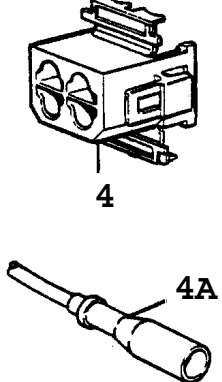
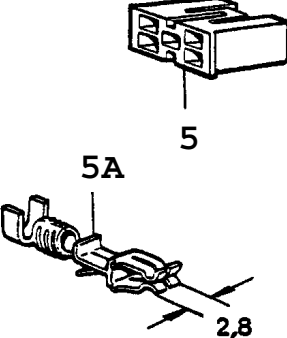
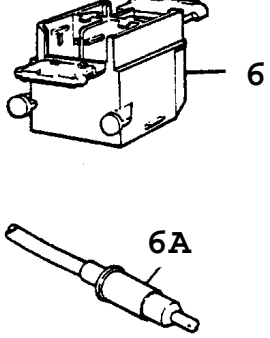
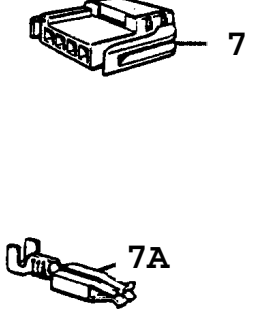
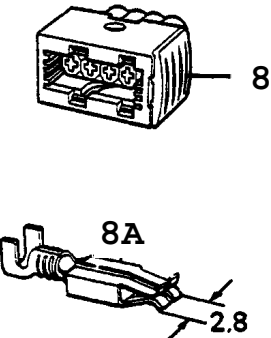
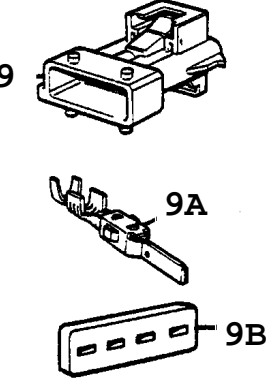
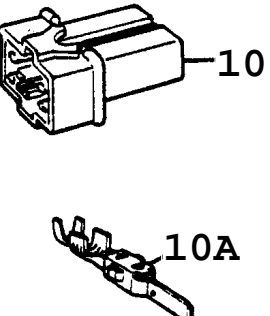
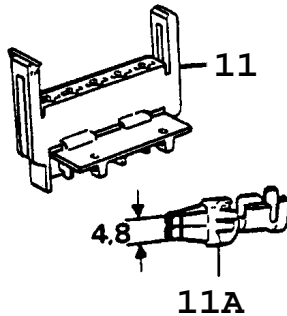
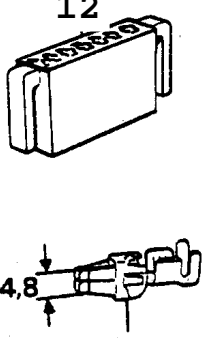
CAC94 F7564

Rep.	N° de pièce	Article	Usage	Qté
1	71 55 112	Boîtier contact 1-poles, douille	IGNITION PULS, LIGHT GEAR INDICATOR, STOP LIGHT	X
1A	79 71 708	Cosse	AREA, 0, 5-1, 5 MM2	X
2	71 55 120	Boîtier contact 1-poles, broche	EL-MIRROR, EL-CENTRAL THEFTX ALARM	
2A	85 22 542	Cosse	AREA, 1, 0-2, 6 MM2	X
3	85 30 115	Boîtier contact 1-poles, broche	LOUDSPEAKER	X
3A	85 30 107	Cosse	AREA, 0, 5-1, 0 MM2	X
4	85 33 184	Boîtier contact 1-poles, broche	LOUDSPEAKER	X
4A	85 82 439	Cosse	AREA, 0, 5-1, 5 MM2	X
5	85 21 692	Boîtier contact 1-poles, douille	REAR DEMIST, GROUND LIGHT INSTEP	X
5A	85 22 526	Cosse	AREA, 1, 0-2, 5 MM2	X
6	85 41 229	Douille d'isolation 1-poles, broche	LIGHT INSTEP, LIGHT NUM- BER X PLATE, READING LAMP, SEAT BELT WARNING SWITCH SPOT LIGHT CONTACT LIGHT, LIGHT GLOVE BOX	X
6A	85 41 203	Cosse	AREA, 0, 5-1, 5 MM2, NLS-USE 8560476	X
6B	85 60 476	Cosse	AREA, 0, 9-2, 0 MM2	X
7	95 03 418	Boîte connexion 1-poles, douille	COMPRESSOR	X
7A	85 47 796	Bloc connexion		X
8	85 16 916	Isolant 1-poles, douille	THERMO CONTACT, LIGHT ASH TRAY, HORN, LIGHT LUGGAGE COMPARTMENT SWITCH HAND BRAKE JOINT, JOINT PIECE REAR DOOR, ANTI THEFT ALARM	X
8A	85 14 036	Cosse	AREA, 1, 5-2, 5 MM2	X
8B	95 69 997	Protection		X
9	85 47 804	Bloc connexion	DIRECTION INDICATOR	X
10	83 78 630	Boîtier contact 2-poles, douille	PEDAL CONTACT SPEED CONTROL	X
10A	85 22 575	Câblage	AREA, 0, 5-1, 4 MM2	X
11	85 93 899	Boîtier contact 2-poles, douille	AUXILIARY AIR VALVE FUEL SYSTEM, VENTILATION	X
11A	85 21 593	Cosse	AREA, 0, 5-1, 5 MM2	X
11B	91 20 668	Cosse	AREA, 0, 75-1, 5 MM2, NLS-USE 30520560	X
12	95 03 319	Boîtier contact 2-poles, douille	EL. WINDOW REGULATOR STD FAN, LEVEL GUARD RADIATOR, LEVEL SWITCH WASHER MOTOR, FAN AC FOG LIGHT, JOINT PIECE OUTER TEMP, DAY DRIVING LIGHT, MICRO SWITCH, FOG LIGHT EXTRA, ABS, DOOR FAN, BY-PASS, TRUNK LID JOINT PIECE	X

Rep.	N° de pièce	Article	Usage	Qté
12A	85 47 796	Bloc connexion		X



Rep.	N° de pièce	Article	Usage	Qté
1	85 93 915	Boîtier contact 2-poles, douille	THERMO SWITCH	X
1A	85 21 593	Cosse	AREA, 0, 5-1, 5 MM2	X
1B	91 20 668	Cosse	AREA, 0, 75-1, 5 MM2, NLS-USE 30520560	X
1C	85 71 382	Protection		X
2	91 24 157	Boîtier contact 2-poles, douille	LIGHT MIRROR, JOINT PIECE, ACC, MOTOR CENTRAL LOCK COVER FUEL FILLING, SIDE DIRECT INDICATOR, FAN AC, AC EDU II DCC, SPEED CONT- ROL	X
2A	91 20 791	Cosse	AREA, 2, 5-4, 0 MM2	X
3	95 01 685	Boîtier contact 2-poles, broches	JOINT PIECE, ENGINE COMPARTMENT LIGHT, JOINT PIECE CABLE HARNESS ENGINE, WARNING LAMP ABS	X
3A	78 74 506	Connexion		X
4	95 06 643	Boîtier contact 2-poles, douille	MIXING TEMP ACC	X
4A	85 87 552	Cosse	AREA 0, 5-1, 5 MM2	X
5	85 58 538	Boîtier contact 2-poles, douille	CIGARETTE LIGHTER ELECTRONIC UNIT BELT TENSIONER	X
5A	85 82 454	Cosse	AREA 0, 5-1, 5 MM2	X
5A	71 55 153	Cosse	AREA 0, 8-2, 1 MM2, NLS-USE 8522534	X
6	85 74 949	Boîtier contact 2-poles, douille	SPEED SENSOR	X
6A	85 41 203	Cosse	AREA 0, 5-1, 5 MM2, NLS-USE 8560476	X
7	95 02 998	Boîtier contact 2-poles, broches	JOINT PIECE, EDU II DCC, NLS-USE 4069829	X
7A	85 93 089	Cosse	AREA 0, 5-1, 0 MM2	X
7A	71 55 062	Cosse	AREA 0, 8-2, 5 MM2, NLS-USE 8522542	X
9	95 19 406	Boîtier contact 2-poles, broches	SENSOR ABS	X
9A	95 19 398	Cosse	AREA, 0, 8-1, 5 MM2	X
9B	85 79 955	Protection		X
10	95 19 422	Boîtier contact 2-poles, douille	PUMP ABS	X
10A	91 20 791	Cosse	AREA, 2, 5-4, 0 MM2	X
10B	85 79 955	Protection		X
11	85 97 064	Boîtier contact 2-poles, douille	IDLE COMPENSATOR	X
11A	91 20 668	Cosse	AREA, 0, 75-1, 5 MM2, NLS-USE 30520560	X
11B	85 71 382	Protection		X
12	91 23 548	Boîtier contact 2-poles, douille	SIGNAL	X
12A	71 55 716	Cosse	AREA, 0, 4-1, 0 MM2	X
12B	91 20 668	Cosse	AREA, 0, 75-1, 5 MM2, NLS-USE 30520560	X

 <p>1 1A</p>	 <p>2 2A</p>	 <p>3 3A 2,1</p>
 <p>4 4A</p>	 <p>5 5A 2,8</p>	 <p>6 6A</p>
 <p>7 7A</p>	 <p>8 8A 2,8</p>	 <p>9 9A 9B</p>
 <p>10 10A</p>	 <p>11 11A 4,8</p>	 <p>12 12A 4,8</p>

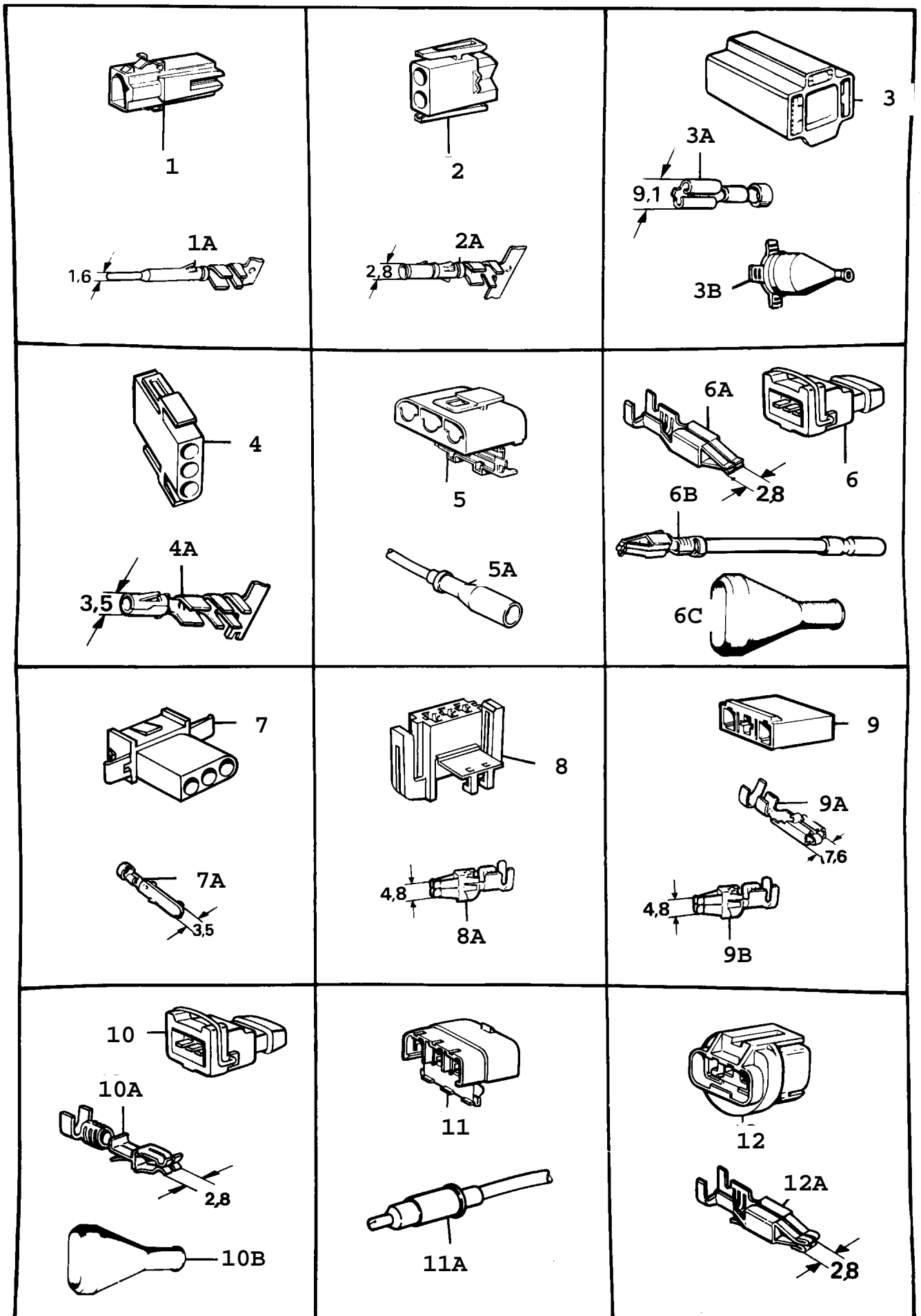
F3816 - CAC90

Rep.	N° de pièce	Article	Usage	Qté
1	95 03 327	Boîtier contact 3-poles, broche	PRESSURE MONITOR AC R134A	X
1A	85 47 770	Bloc connexion		X
2	41 17 669	Boîtier de connecteur 3-poles, broche	JOINT PIECE MAIN CABLE HARNESS, EL-ADJUSTED SEAT	X
2A	41 15 580	Cosse	AREA, 1, 0-2, 5 MM2	X
3	85 30 099	Boîtier contact 4-poles, broche	ELECTRIC MIRROR	X
3A	85 22 583	Cosse	AREA, 0, 8-3, 4 MM2	X
4	95 03 434	Boîtier contact 4-poles, douille	CONTROL UNIT ACC, JOINT PIECE, PRESSURE SWITCH, FUEL PUMP SENSOR, THEFT ALARM, IGNITION CASSETTE THERMOSTAT	X
4A	85 47 796	Bloc connexion		X
4A	78 74 498	Connexion		X
5	91 23 555	Boîtier contact 4-poles, douille	FAN INDOOR TEMP, JOINT PIECE MAIN CABLE HAR- NESS/APC, LUGGAGE COM- PARTMENT LOCK, PHONE SWITCH WARNING FLASHER REAR WIPER, TAIL LAMP	X
5A	95 08 714	Cosse	AREA, 0, 3-0, 6 MM2, NLS-USE 30520560	X
6	95 03 442	Boîtier contact 4-poles, broche	IGNITION CASSETTE	X
6A	85 47 770	Bloc connexion		X
7	40 60 869	Boîtier contact 4-poles, douille	SUN SENSOR	X
7A	40 63 970	Cosse	AREA, 0, 5-1, 0 MM2	X
7A	91 21 088	Cosse	AREA, 0, 2-0, 5 MM2	X
8	41 13 601	Boîtier de connecteur 4-poles, douille	CS, HEAD LIGHT LAMBDA SONDE, SENSOR AIR-BAG	X
8A	43 50 526	Cosse	AREA, 0, 5-1, 0 MM2	X
8A	40 61 586	Cosse	AREA, 1, 0-2, 5 MM2	X
9	41 13 650	Boîtier de connecteur 4-poles, broche	JOINT PIECE MAI CABLE HARNESS, CRANK SHAFT SENSOR	X
9A	41 15 192	Cosse	AREA, 1, 0-2, 5 MM2	X
9B	41 13 759	Joint		X
10	41 17 263	Boîtier de connecteur 4-poles, broche	JOINT PIECE MAIN CABLE HARNESS	X
10A	41 15 077	Cosse	AREA, 1, 0-2, 5 MM2, NLS-USE 12789934	X
11	91 22 789	Boîtier contact 5-poles, douille	RESISTOR HEATING FAN	X
11A	91 20 791	Cosse	AREA, 2, 5-4, 0 MM2	X
12	91 24 173	Boîtier contact 5-poles, douille	GEAR INDICATOR, JOINT PIECE, GEAR INDICATOR STARTER INHIBITOR	X
12A	91 20 791	Cosse	AREA, 2, 5-4, 0 MM2	X

<p>1</p> <p>1A</p>	<p>2</p> <p>2A</p>	<p>3</p> <p>3A</p> <p>7.4</p>
<p>4</p> <p>4A</p> <p>4B</p> <p>7.6</p> <p>2.8</p>	<p>5</p> <p>5A</p>	<p>6</p>
<p>7</p> <p>7A</p> <p>5.0</p>	<p>8</p> <p>8A</p> <p>1.6</p>	<p>9</p> <p>9A</p> <p>7.4</p>
<p>10</p> <p>10A</p> <p>10B</p> <p>2.8</p>	<p>11</p> <p>11A</p>	<p>12</p> <p>12A</p>

CAC94 F7565

Rep.	N° de pièce	Article	Usage	Qté
1	91 24 157	Boîtier contact 2-poles, douille	LIGHT MIRROR, ACC, LIGHT CONTROLS, FAN AC, JOINT TRUNK LID, CENTRAL LOCK TANK HATCH, DOME LAMP SUN ROOF, JOIN PIECE REAR HARNESS, RADIO	X
1A	91 20 783	Cosse	AREA, 1, 0-2, 5 MM2	X
1A	91 20 791	Cosse	AREA, 2, 5-4, 0 MM2	X
2	95 01 685	Boîtier contact 2-poles, broches	SWITCH LUGGAGE COMPART- MENT LOCK	X
2A	85 47 770	Bloc connexion		X
3	85 58 538	Boîtier contact 2-poles, douille	CIGARETTE LIGHTER	X
3A	85 22 534	Cosse	AREA 0, 8-2, 1 MM2	X
4	85 74 949	Boîtier contact 2-poles, douille	SPEED SENSOR	X
4A	85 60 476	Cosse	AREA 0, 9-2, 0 MM2	X
4B	91 20 957	Cosse	AREA 1, 0-2, 5 MM2, NLS-USE 30520560	X
6	41 13 452	Boîtier de connecteur 2-poles, broches	ABS UNIT MK4, NLS-USE 12788987	X
7	91 23 548	Boîtier contact 2-poles, douille	THEFT ALARM, FOG LIGHT LOUD SPEAKER, BY-PASS, DOOR SWITCH, SOLENOID IGNITION LOCK, CODING EXTRA LIGHTS, GLOVE COMPARTMENT LAMP, SHIFT LOCK, JOIN PIECE MAIN CABLE HARNESS	X
7A	91 20 668	Cosse	AREA, 0, 75-1, 5 MM2, NLS-USE 30520560	X
8	42 24 895	Boîtier de connecteur 2-poles, douille	SENSOR WHEELS	X
8A	95 19 398	Cosse	AREA, 0, 8-1, 5 MM2	X
9	71 55 096	Boîte connexion 2-poles, broches	SWITCH BRAKE LIGHT	X
9A	79 71 708	Cosse	AREA, 0, 5-1, 5 MM2	X
10	41 13 205	Boîtier de connecteur 2-poles, douille	JOINT PIECE ABS UNIT SPEED SENSOR, VACUM PUMP ABS, HORN, KNOCK SENSOR, TEMP SENSOR TEMP SENSOR COOLANT THEFT ALARM PRESSURE MONITOR AC, NLS-USE 12788933	X
10A	40 61 586	Cosse	AREA, 1, 0-2, 5 MM2	X
10B	41 14 310	Joint		X
11	41 17 164	Boîtier de connecteur 2-poles, broches	SIDE INDICATOR LAMP JOINT PIECE MAIN CABLE HARNESS, JOINT PIECE TEMP SENSOR	X
11A	41 15 077	Cosse	AREA, 1, 0-2, 5 MM2, NLS-USE 12789934	X
12	41 17 560	Boîtier de connecteur 2-poles, broches	JOINT PIECE MAIN CABLE HARNESS	X
12A	41 15 580	Cosse	AREA, 1, 0-2, 5 MM2	X

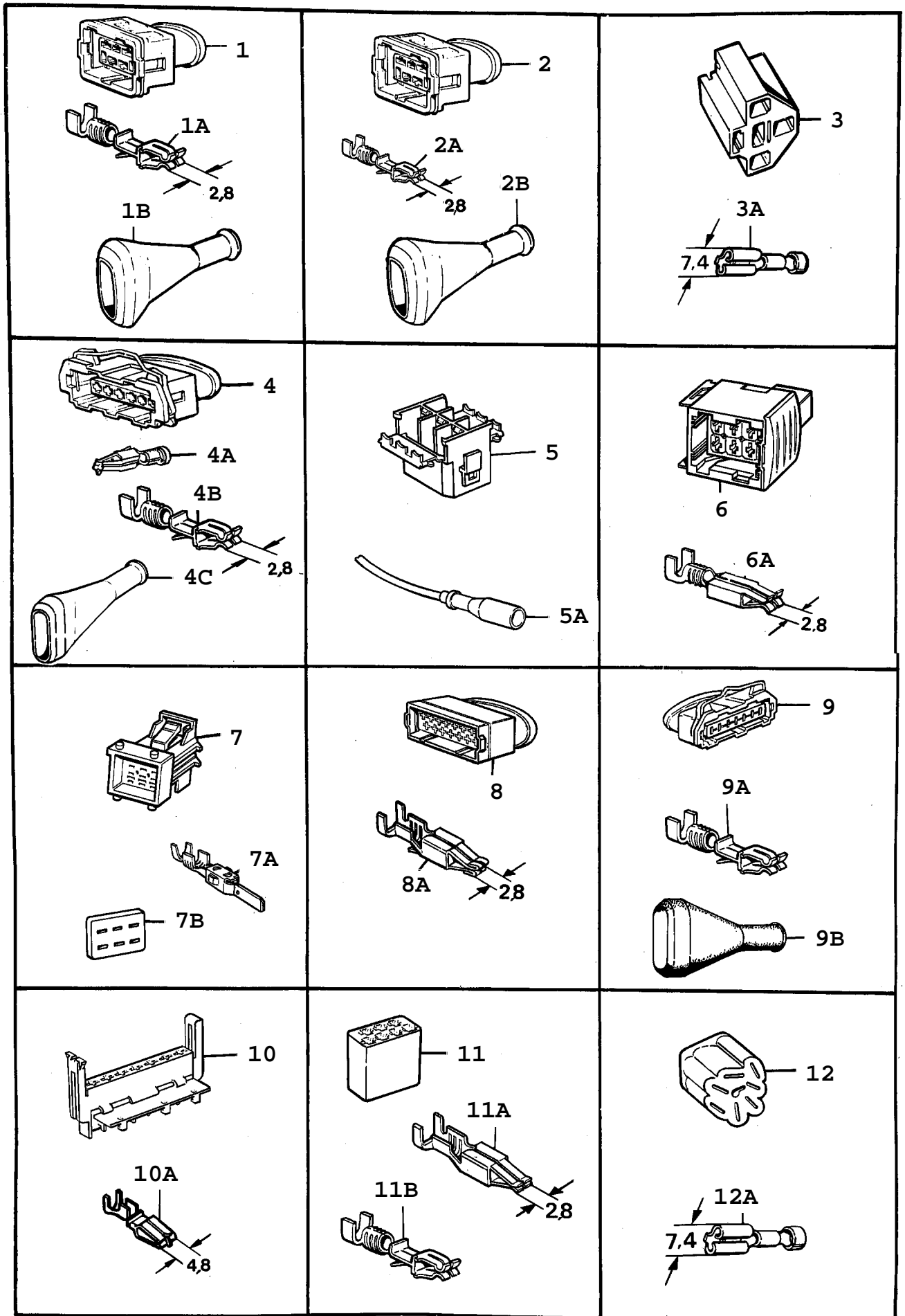


Rep.	N° de pièce	Article	Usage	Qté
1	95 25 080	Boîtier contact 2-poles, broches	BELT TENSIONER	X
1A	95 26 401	Cosse	AREA, 0, 2-0, 56 MM2	X
2	95 25 809	Boîtier contact 2-poles, douille	BELT TENSIONER	X
2A	95 25 817	Cosse	AREA, 0, 2-0, 56 MM2	X
3	71 55 021	Boîtier contact 3-poles, douille	HEADLIGHT	X
3A	85 82 413	Cosse	AREA, 1, 3-3, 4 MM2	X
3B	85 52 721	Protège-câble		X
4	85 64 916	Boîtier contact 3-poles, douille	JOINT PIECE, JOINT PIECE B-PILLAR LH AND RH	X
4A	85 44 298	Cosse	AREA, 0, 5-2, 0 MM2, NLS-USE 8582595	X
5	95 03 277	Boîtier contact 3-poles, douille	SPEED CONTROL, HEADLIGHT WIPERS, WIPER MOTOR, LEVEL CONTROL, JOINT PIECE, CENTRAL LOCK, ABS SENSOR BELT TENSIONER	X
5A	78 74 498	Connexion		X
6	85 93 907	Boîtier contact 3-poles, douille	THROTTLE SWITCH, JOINT PIECE, PRESSURE SWITCH, DISTRIBUTOR	X
6A	85 21 593	Cosse	AREA, 0, 5-1, 5 MM2	X
6A	91 20 668	Cosse	AREA, 0, 75-1, 5 MM2, NLS-USE 30520560	X
6B	85 22 617	Cosse	AREA, 1, 0-2, 6 MM2	X
6C	85 79 955	Protection		X
7	85 64 924	Boîtier contact 3-poles, broche	JOINT PIECE, NUMBER PLATE LIGHT, JOINT PIECE CABLE HARNESS DOORS	X
7A	85 44 314	Cosse	AREA 0, 5-2, 0 MM2, NLS-USE 8582603	X
7A	85 44 322	Cosse	AREA 2, 0-4, 0 MM2	X
8	91 24 165	Boîtier contact 3-poles, douille	JOINT PIECE, FUEL LEVEL TRANSMITTER, LIGHT ASH TRAY REAR, ELECTRONIC UNIT REOSTAT, CLOCK SPEEDOMETER, REOSTAT JOINT PIECE PASSENGER SEAT, PRESSURE SWITCH	X
8A	91 20 791	Cosse	AREA 2, 5-4, 0 MM2	X
9	95 07 658	Boîtier contact 3-poles, douille	SWITCH INNER LIGHT	X
9A	91 20 775	Cosse	AREA 0, 5-1, 5 MM2	X
9A	85 41 203	Cosse	AREA 0, 5-1, 5 MM2, NLS-USE 8560476	X
9B	91 20 791	Cosse	AREA 2, 5-4, 0 MM2	X
10	85 93 923	Boîtier contact 3-poles, douille	IDLE COMPENSATOR	X
10A	91 20 668	Cosse	AREA 0, 75-1, 0 MM2, NLS-USE 30520560	X
10B	85 79 955	Protection		X

**9000 / 03B Système électrique, boîte de connexion
0670 Conduites et fusibles - Connecteur, etc (1988)**

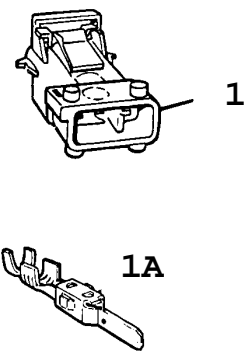
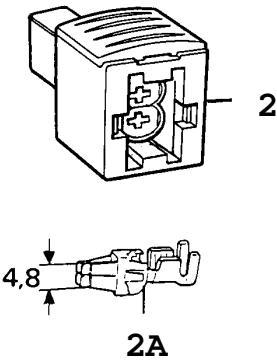
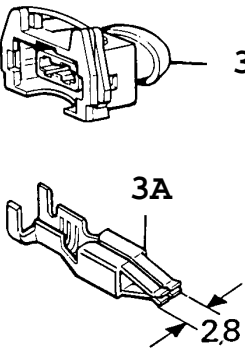
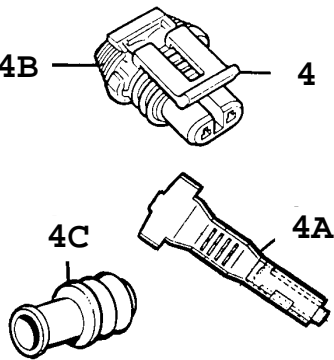
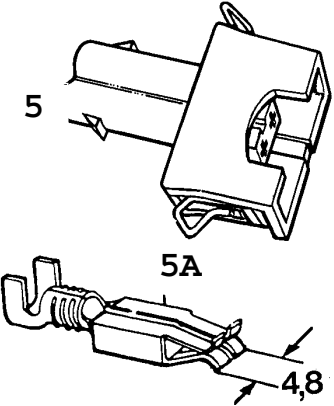
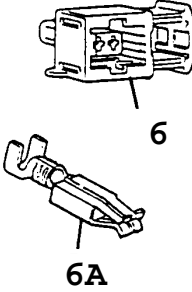
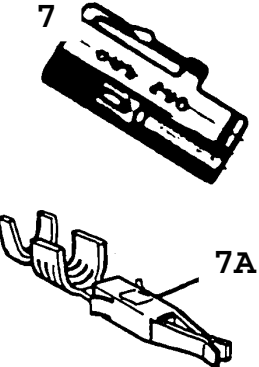
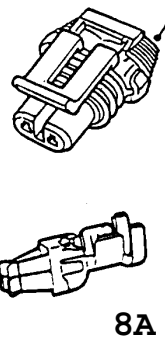
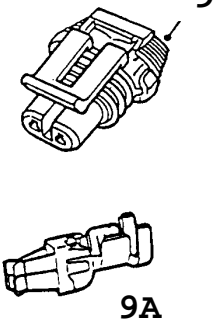
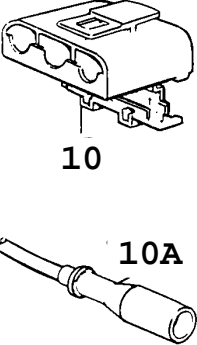
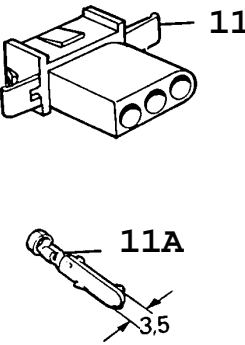
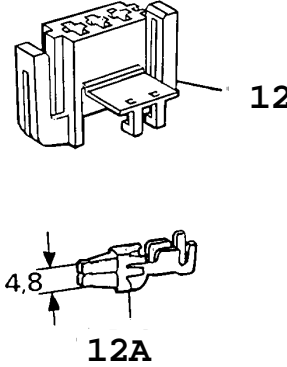
Liste des pièces détachées EPC

Rep.	N° de pièce	Article	Usage	Qté
11	95 03 327	Boîtier contact 3-poles, broche	JOINT PIECE, JOINT PIECE CABLE HARNESS ENGINE	X
11A	78 74 506	Connexion		X
12	95 14 803	Boîtier contact 3-poles, douille	LHD, US, HEADLIGHT	X
12A	95 08 748	Cosse	AREA, 1, 5-2, 5 MM2, NLS-USE 30520560	X



Rep.	N° de pièce	Article	Usage	Qté
1	95 19 414	Boîtier contact 5-poles, douille	PRESSURE MONITOR	X
1A	91 20 668	Cosse	AREA, 0, 75-1, 5 MM2, NLS-USE 30520560	X
1B	85 79 955	Protection	AREA, 1, 0-2, 5 MM2	X
2	95 19 455	Boîtier contact 5-poles, douille	LEVEL ABS, VALVES, ETS	X
2A	91 20 668	Cosse	AREA, 0, 75-1, 5 MM2, NLS-USE 30520560	X
2B	95 19 430	Protection		X
3	85 33 697	Boîtier contact 5-poles, douille	RELAY EXHAUST TEMP WASHER PUMP REAR WIPER	X
3A	85 82 454	Cosse	AREA, 0, 5-1, 5 MM2	X
4	85 93 931	Boîtier contact 6-poles, douille	AIR MASS METER LH	X
4A	85 21 593	Cosse	AREA, 0, 5-1, 5 MM2	X
4B	91 20 668	Cosse	AREA, 0, 75-1, 5 MM2, NLS-USE 30520560	X
4C	85 82 082	Protection		X
5	95 03 475	Boîtier contact 6-poles, douille	JOINT PIECE	X
5A	85 47 796	Bloc connexion		X
5A	78 74 498	Connexion		X
6	41 13 809	Boîtier de connecteur 6-poles, douille	WASHER MOTOR, CENTRAL LOCK, JOINT PIECE BOOT LID, REAR LOUD SPEAKER JOINT PIECE ENGINE, NLS-USE 12788966	X
6A	91 20 957	Cosse	AREA, 1, 0-2, 5 MM2, NLS-USE 30520560	X
6A	40 61 586	Cosse	AREA, 1, 0-2, 5 MM2	X
7	41 13 858	Boîtier de connecteur 6-poles, broche	JOINT PIECE MAIN CABLE HARNESS	X
7A	41 15 192	Cosse	AREA, 1, 0-2, 5 MM2	X
7B	41 14 377	Joint		X
8	41 76 012	Boîtier de connecteur 6-poles, douille	RADIO	X
8A	91 20 957	Cosse	AREA, 1, 0-2, 5 MM2, NLS-USE 30520560	X
8B	91 20 791	Cosse	AREA, 2, 5-4, 0 MM2	X
9	85 93 949	Boîtier contact 7-poles, douille	POWER STAGE, VALVE OUTPUT STAGE, SETTING MOTOR	X
9A	91 20 668	Cosse	AREA, 0, 75-1, 5 MM2, NLS-USE 30520560	X
9B	85 74 048	Protection	NLS	X
10	91 22 797	Boîtier contact 7-poles, douille	THEFT ALARM, SWITCH DIRECTION INDICATOR, SWITCH SPEED CONTROL TAIL LIGHT, SWITCH FLASHER, REAR WIPER	X
10A	91 20 791	Cosse	AREA, 2, 5-4, 0 MM2	X
11	91 23 381	Boîtier contact 7-poles, douille	SWITCH ELECTRIC MIRROR	X
11A	85 21 593	Cosse	AREA, 0, 5-1, 5 MM2	X

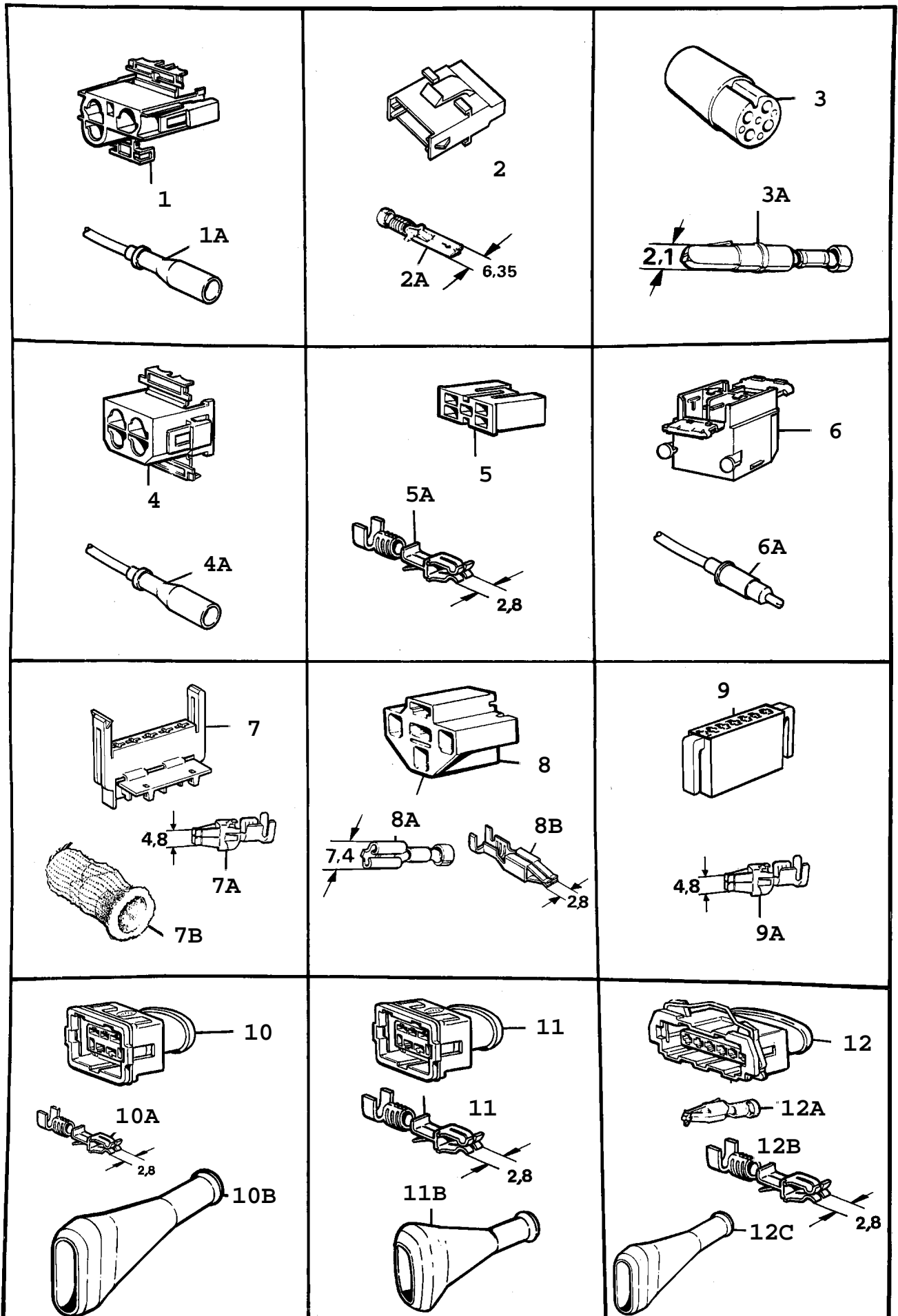
Rep.	N° de pièce	Article	Usage	Qté
11A	91 20 957	Cosse	AREA, 1, 0-2, 5 MM2, NLS-USE 30520560	X
11B	91 20 668	Cosse	AREA, 0, 75-1, 5 MM2, NLS-USE 30520560	X
12	95 03 251	Boîtier contact 7-poles, douille	HEATING FAN	X
12A	79 72 029	Cosse	AREA, 1, 0-2, 5 MM2, NLS-USE 8522534	X
12A	79 68 068	Cosse	AREA, 4, 0-6, 0 MM2	X

 <p>1 1A</p>	 <p>2 2A 4,8</p>	 <p>3 3A 2,8</p>
 <p>4 4A 4B 4C</p>	 <p>5 5A 4,8</p>	 <p>6 6A</p>
 <p>7 7A</p>	 <p>8 8A</p>	 <p>9 9A</p>
 <p>10 10A</p>	 <p>11 11A 3,5</p>	 <p>12 12A 4,8</p>

CAC94 F7566

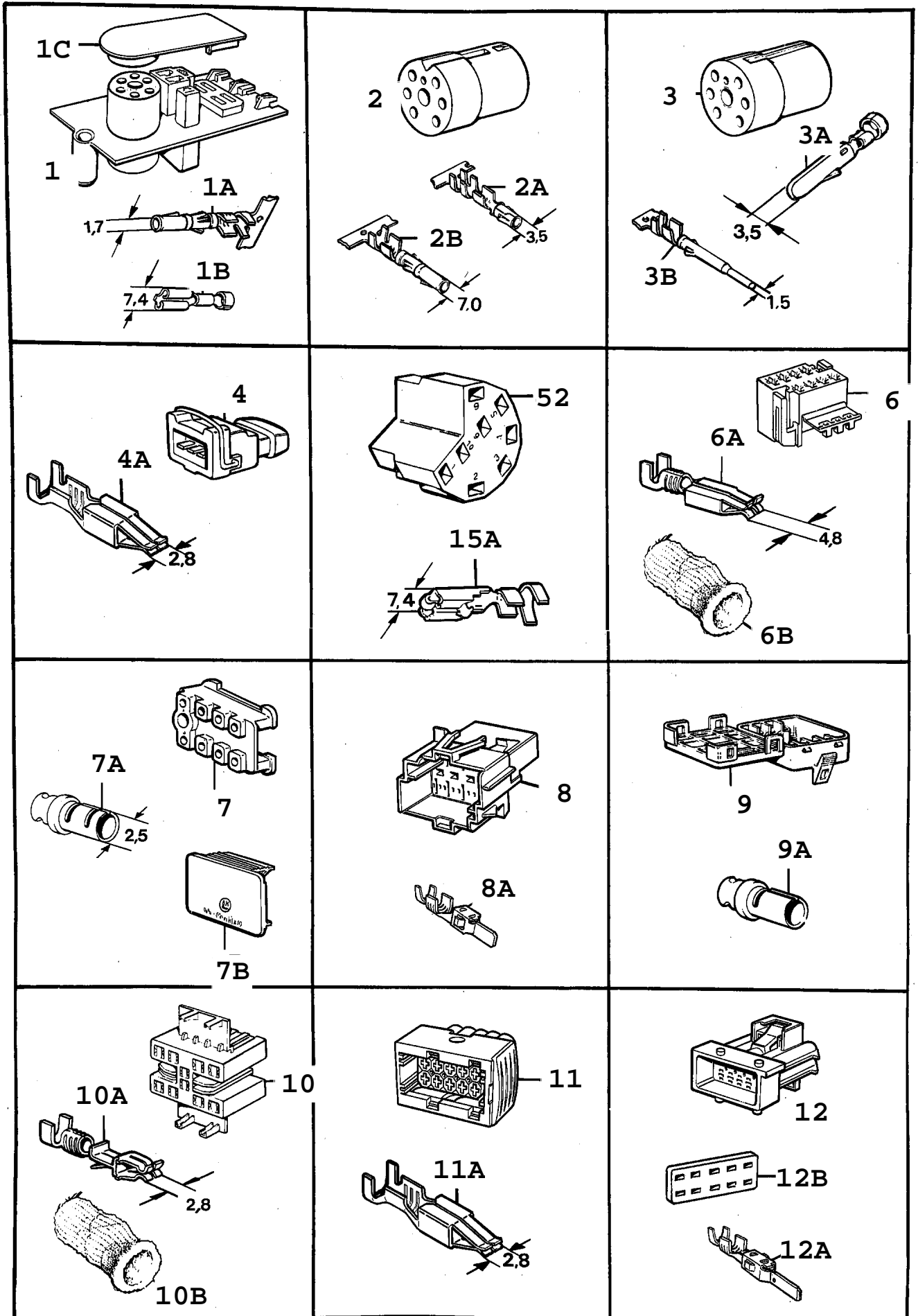
Rep.	N° de pièce	Article	Usage	Qté
1	41 74 264	Boîtier de connecteur 2-poles, broches	AIR-BAG PASSANGER	X
1A	41 15 077	Cosse	AREA, 1, 0-2, 5 MM2, NLS-USE 12789934	X
2	41 13 411	Boîtier de connecteur 2-poles, douille	JOINT PIECE ABS UNIT COOLING FAN	X
2A	43 54 171	Cosse	AREA, 1, 0-2, 5 MM2, NLS-USE 12970428	X
3	41 78 414	Boîtier de connecteur 2-poles, douille	B308, WATER PUMP INJECTION VALVE, JOINT JOINT PIECE PEDAL SENSOR AUXILIARY AIR VALVE, NLS-USE 12790247	X
3A	40 61 586	Cosse	AREA, 1, 0-2, 5 MM2	X
4	42 01 224	Boîtier de connecteur 2-poles, douille	REVERS LIGHT CONTACT	X
4A	44 18 505	Cosse	AREA, 0, 5-1, 0 MM2	X
4B	42 01 232	Verrouillage		X
4C	44 19 305	Joint rouge		X
4C	44 19 313	Joint bleu		X
5	44 33 439	Boîtier de connecteur 2-poles, douille	B308, INJECTION VALVES	X
5A	40 61 586	Cosse	AREA, 1, 0-2, 5 MM2	X
6	41 13 403	Boîtier de connecteur 2-poles, douille	AIR PUMP, COOLING FAN 2-STEP, NLS-USE 12788982	X
6A	43 54 171	Cosse	AREA, 1, 0-2, 5 MM2, NLS-USE 12970428	X
7	41 76 780	Boîtier contact 2-poles, douille	MAKE-UP MIRROR	X
7A	41 15 499	Cosse	AREA, 0, 5-1, 0 MM2, NLS-USE 12790414	X
8	46 68 588	Boîtier contact 2-poles, douille	TEMP SENSOR	X
8A	40 61 586	Cosse	AREA, 1, 0-2, 5 MM2	X
9	46 68 596	Boîtier contact 2-poles, douille	TERMO SWITCH, WATERTEMP	X
9A	40 61 586	Cosse	AREA, 1, 0-2, 5 MM2	X
10	95 03 277	Boîtier contact 3-poles, douille	HEADLIGHT WIPERS, WIPER MOTOR, ABS, BY-PASS, HEADLIGHT LEVELLING THEFT ALARM DOOR	X
10A	85 47 796	Bloc connexion		X
11	85 64 924	Boîtier contact 3-poles, broche	NUMBER PLATE LIGHT JOINT PIECE CABLE HAR-NESS DOORS, JOINT PIECE TRUNK LID	X
11A	85 44 322	Cosse	AREA 2, 0-4, 0 MM2	X

Rep.	N° de pièce	Article	Usage	Qté
12	91 24 165	Boîtier contact 3-poles, douille	JOINT PIECE, LIGHT ASH TRAY REAR, ELECTRONIC UNIT REOSTAT, CLOCK SPEEDOMETER, REOSTAT JOINT PIECE PASSENGER SEAT, ELECTRONIC UNIT SPEED WARNING DEVICE	X
12A	91 20 791	Cosse	AREA 2, 5-4, 0 MM2	X



Rep.	N° de pièce	Article	Usage	Qté
1	95 19 679	Boîtier contact 3-poles, douille	PARKING LIGHT, DIRECTION LIGHT, SIDE BACK-UP LIGHT	X
1A	78 74 498	Connexion		X
2	95 03 012	Boîtier contact 3-poles, broche	JOINT PIECE, NLS	X
2A	85 93 089	Cosse	AREA, 0, 5-1, 0 MM2	X
3	85 30 099	Boîtier contact 4-poles, douille	ELECTRIC MIRROR	X
3A	85 22 583	Cosse	AREA, 0, 5-1, 0 MM2 (8503153)	X
4	95 03 434	Boîtier contact 4-poles, douille	CONTROL UNIT ACC, JOINT PIECE, PRESSURE SWITCH, JOINT PIECE CABLE HAR- NESS ENGINE, IGNITION CASSETTE, CRANKSHAFT POSITION SENSOR	X
4A	78 74 498	Connexion		X
5	91 23 555	Boîtier contact 4-poles, douille	FAN INDOOR TEMP DIAGNOSTICX UNIT	X
5A	95 08 714	Cosse	AREA, 0, 3-0, 6 MM2, NLS-USE 30520560	X
5A	91 20 668	Cosse	AREA, 0, 75-1, 5 MM2, NLS-USE 30520560	X
6	95 03 442	Boîtier contact 4-poles, broche	JOINT PIECE CABLE HAR- NESS ENGINE, IGNITION CASSETTE	X
6A	78 74 506	Connexion		X
7	91 22 789	Boîtier contact 5-poles, douille	RESISTOR HEATING FAN	X
7A	91 20 791	Cosse	AREA, 2, 5-4, 0 MM2	X
7B	95 68 775	Isolant	NLS	X
8	85 33 697	Boîtier contact 5-poles, douille	RELAY WINDOW REGULATOR TIME RELAY COOLING FAN, REAR FOG LIGHT EXTRA	X
8A	79 71 708	Cosse	AREA, 0, 5-1, 5 MM2	X
8A	79 72 029	Cosse	AREA, 1, 0-2, 5 MM2, NLS-USE 8522534	X
8A	79 68 068	Cosse	AREA, 4, 0-6, 0 MM2	X
8B	91 20 775	Cosse	AREA, 0, 5-1, 0 MM2	X
9	91 24 173	Boîtier contact 5-poles, douille	GEAR INDICATOR, JOINT PIECE, GEAR INDICATOR STARTER INHIBITOR	X
9A	91 20 791	Cosse	AREA, 2, 5-4, 0 MM2	X
10	95 19 414	Boîtier contact 5-poles, douille	SENSOR ABS	X
10A	91 20 668	Cosse	AREA, 0, 75-1, 5 MM2, NLS-USE 30520560	X
10B	85 79 955	Protection	AREA, 1, 0-2, 5 MM2	X
11	95 19 455	Boîtier contact 5-poles, douille	LEVEL ABS	X
11A	91 20 668	Cosse	AREA, 0, 75-1, 5 MM2, NLS-USE 30520560	X
11B	95 19 430	Protection		X
12	85 93 931	Boîtier contact 6-poles, douille	AIR MESS METER LH	X

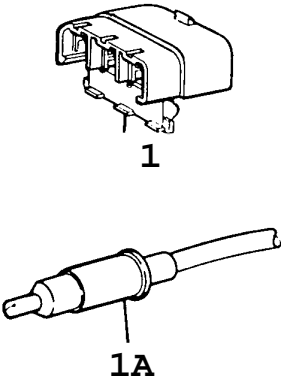
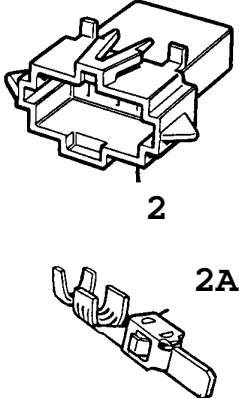
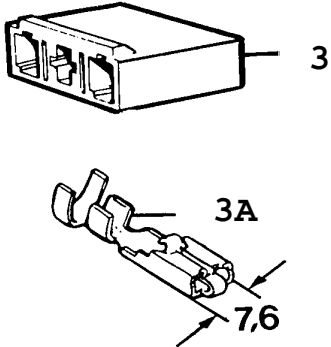
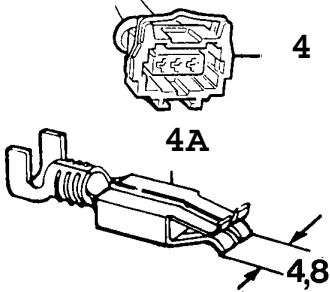
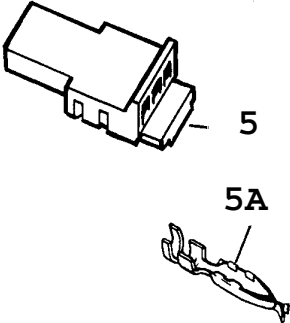
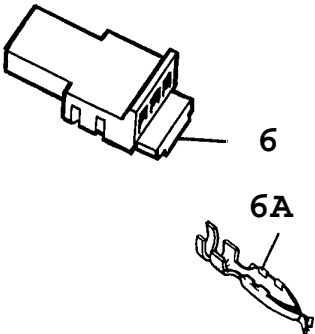
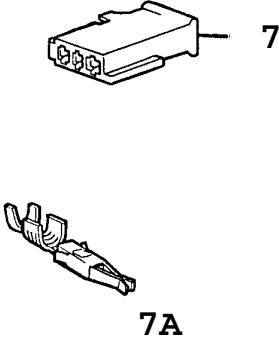
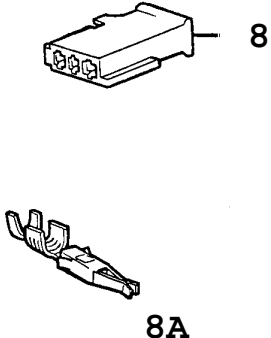
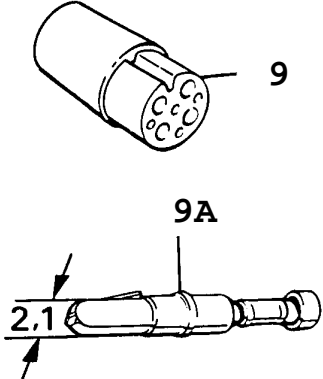
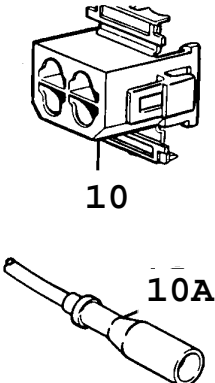
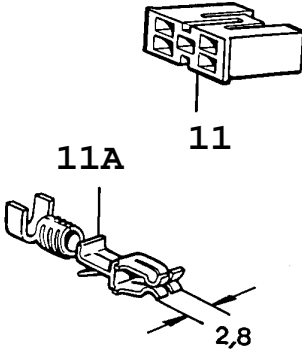
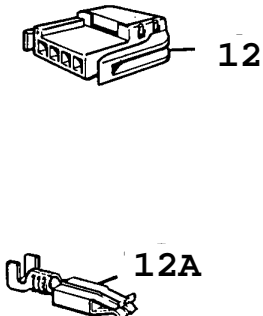
Rep.	N° de pièce	Article	Usage	Qté
12A	85 21 593	Cosse	AREA, 0, 5-1, 5 MM2	X
12B	91 20 668	Cosse	AREA, 0, 75-1, 5 MM2, NLS-USE 30520560	X
12C	85 82 082	Protection		X



F3999 CAC93

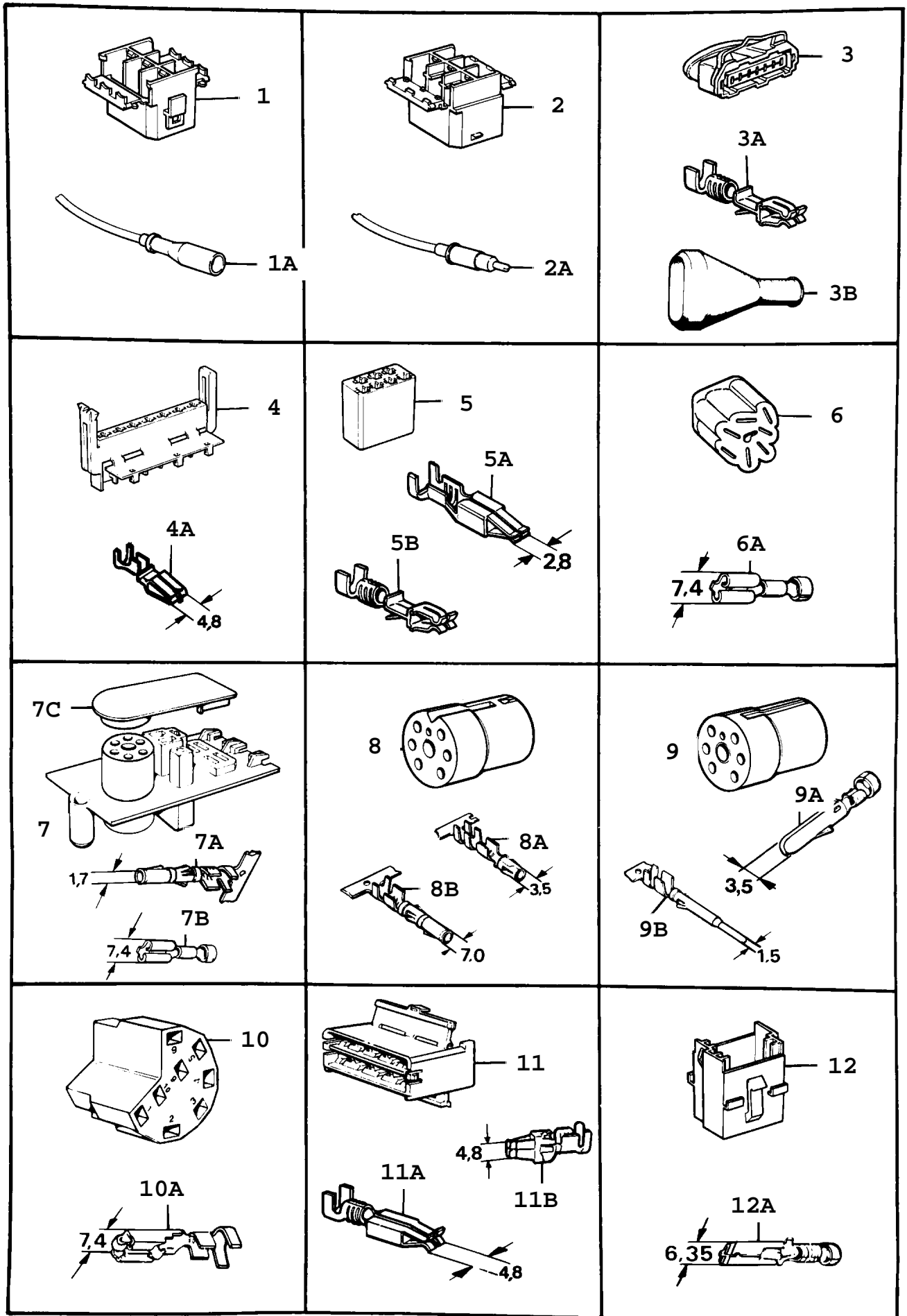
Rep.	N° de pièce	Article	Usage	Qté
1	95 12 591	Contact 7-poles, douille	TEST CONNECTOR	X
1A	85 87 552	Cosse	AREA, 0, 5-1, 5 MM2	X
1A	85 87 560	Cosse	AREA, 1, 0-2, 5 MM2	X
1B	85 82 454	Cosse	AREA, 0, 5-1, 5 MM2	X
1C	95 20 974	Couvercle		X
2	85 21 700	Contact 7-poles, douille	JOINT PIECE, JOINT PIECE REAR DOOR	X
2A	85 82 595	Cosse	AREA, 0, 5-2, 0 MM2	X
2B	85 87 552	Cosse	AREA, 0, 5-1, 5 MM2	X
3	85 21 718	Boîtier contact 7-poles, broche	JOINT PIECE, JOINT PIECE CABLE HARNESS DOORS	X
3A	85 82 603	Cosse	AREA, 0, 5-2, 0 MM2	X
3B	85 93 964	Cosse	AREA, 0, 5-1, 5 MM2	X
4	40 61 479	Boîtier contact 7-poles, douille	VALVES ABS	X
4A	91 20 957	Cosse	AREA, 0, 75-1, 5 MM2, NLS-USE 30520560	X
5	85 44 363	Boîtier contact 8-poles, douille	SWITCH LIGHT	X
5A	85 60 476	Cosse	AREA, 0, 9-2, 0 MM2	X
5A	85 41 211	Cosse	AREA, 2, 5-4, 0 MM2	X
6	91 24 090	Boîtier contact 8-poles, douille	SWITCH REAR DEMIST, DCC SWITCH SUN ROOF REGULA- TOR, CENTRAL LOCK, TOW HOOK, TRUNK LID, SWITCH CENTRAL LOCK, ON/OFF JOINT PIECE CABLE HARNESS ROOF	X
6A	91 20 791	Cosse	AREA, 2, 5-4, 0 MM2	X
6B	95 68 775	Isolant	NLS	X
7	95 52 159	Boîtier contact 8-poles, douille	ELECTRONIC UNIT BELT TENSIONER	X
7A	95 52 175	Cosse		X
7B	95 52 167	Couvercle		X
8	41 17 768	Boîtier de connecteur 8-poles, broche	HEATING PAD	X
8A	41 15 580	Cosse	AREA, 1, 0-2, 5 MM2	X
9	95 12 930	Boîtier contact 9-poles, douille	LOCK STEERING COLUMN	X
9A	95 09 746	Cosse	AREA, 0, 5-1, 5 MM2	X
10	91 23 399	Boîte connexion 10-poles, douille	SWITCH AC, RECIRKULATION AC, RADIO, FOG LIGHT EXTRA, REOSTAT ELPAD HEADLIGHT LEVELLING TEST CONNECTOR AIR-BAG JOINT PIECE, REOSTAT LIGHT INSTEP, LOUD SPEAKER, JOINT PIECE REAR CABLE HARNESS JOINT PIECE, BOOT LID COOLING FAN REAR AC	X
10A	91 20 668	Cosse	AREA, 0, 75-1, 5 MM2, NLS-USE 30520560	X
10A	91 20 957	Cosse	AREA, 1, 0-2, 5 MM2, NLS-USE 30520560	X
10B	95 68 775	Isolant	NLS	X

Rep.	N° de pièce	Article	Usage	Qté
11	41 14 005	Boîtier de connecteur 10-poles, douille	ABS, JOINT PIECE CABLE HARNESS FRONT, JOINT PIECE ENGINE BULB CONTROL, JOINT PIECE MAIN CABLE HARNESS	X
11A	40 61 586	Cosse	AREA, 1, 0-2, 5 MM2	X
11A	91 20 957	Cosse	AREA, 1, 0-2, 5 MM2, NLS-USE 30520560	X
12	41 14 054	Boîtier de connecteur 10-poles, broche	JOINT PIECE MAIN CABLE HARNESS, JOINT PIECE ENGINE	X
12A	41 15 192	Cosse	AREA, 1, 0-2, 5 MM2	X
12B	41 14 153	Joint		X

 <p>1 1A</p>	 <p>2 2A</p>	 <p>3 3A 7,6</p>
 <p>4 4A 4,8</p>	 <p>5 5A</p>	 <p>6 6A</p>
 <p>7 7A</p>	 <p>8 8A</p>	 <p>9 9A 2,1</p>
 <p>10 10A</p>	 <p>11 11A 2,8</p>	 <p>12 12A</p>

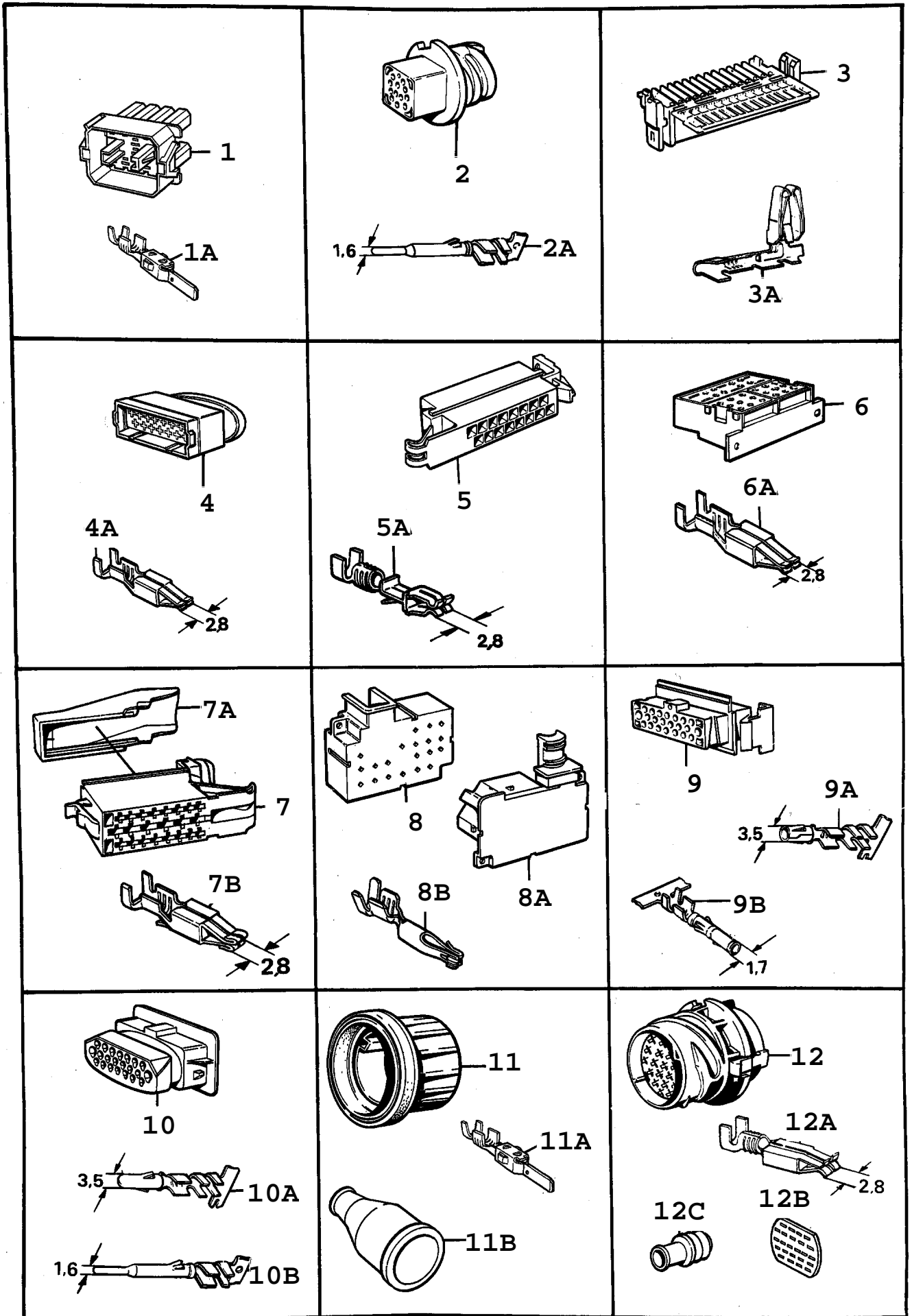
CAC94 F7567

Rep.	N° de pièce	Article	Usage	Qté
1	95 03 327	Boîtier contact 3-poles, broche	PRESSURE MONITOR AC R134A	X
1A	85 47 770	Bloc connexion		X
2	41 17 669	Boîtier de connecteur 3-poles, broche	EL-ADJUSTED SEAT, JOINT PIECE MAIN CABLE HARNESS	X
2A	41 15 580	Cosse	AREA, 1, 0-2, 5 MM2	X
3	95 07 658	Boîtier contact 3-poles, douille	SWITCH INTERIOR LIGHT	X
3A	85 60 476	Cosse	AREA, 0, 9-2, 0 MM2	X
4	44 32 316	Boîtier de connecteur 3-poles, douille	SOLENOID VALVE, CRANK SHAFT SENSOR, THROTTLE POT, PRESSURE SENSOR PRESSURE SENSOR TRIONIC IDLE SPEED CONTROL	X
4A	40 61 586	Cosse	AREA, 1, 0-2, 5 MM2	X
5	41 09 195	Boîtier contact 3-poles, douille	MEMORY UNIT CHAIR	X
5A	40 63 970	Cosse	AREA, 0, 5-1, 0 MM2	X
6	41 09 187	Boîtier contact 3-poles, douille	MEMORY UNIT CHAIR	X
6A	40 63 970	Cosse	AREA, 0, 5-1, 0 MM2	X
7	41 13 007	Boîtier de connecteur 3-poles, douille	HORN BUTTON	X
7A	41 15 499	Cosse	AREA, 0, 5-1, 0 MM2, NLS-USE 12790414	X
8	45 17 702	Boîtier de connecteur 3-poles, douille	AIRBAG DRIVER, NLS	X
8A	44 66 801	Cosse	AREA, 0, 5-1, 0 MM2	X
9	85 30 099	Boîtier contact 4-poles, broche	ELECTRIC MIRROR	X
9A	85 22 583	Cosse	AREA, 0, 8-3, 4 MM2	X
10	95 03 434	Boîtier contact 4-poles, douille	CONTROL UNIT ACC, JOINT PIECE, PTHEFT ALARM	X
10A	85 47 796	Bloc connexion		X
10A	78 74 498	Connexion		X
11	91 23 555	Boîtier contact 4-poles, douille	FAN INDOOR TEMP, JOINT PIECE MAIN CABLE HAR- NESS/APC, LUGGAGE COM- PARTMENT LOCK, PHONE SWITCH WARNING FLASHER REAR WIPER, TAIL LAMP	X
11A	95 08 714	Cosse	AREA, 0, 3-0, 6 MM2, NLS-USE 30520560	X
12	40 60 869	Boîtier contact 4-poles, douille	SUN SENSOR	X
12A	40 63 970	Cosse	AREA, 0, 5-1, 0 MM2	X



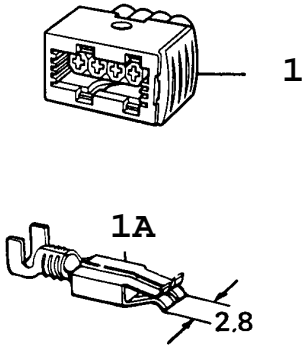
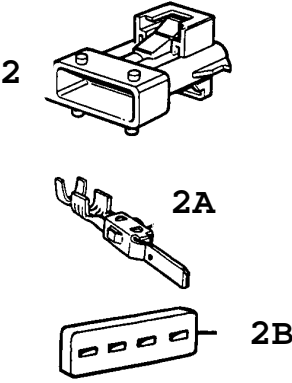
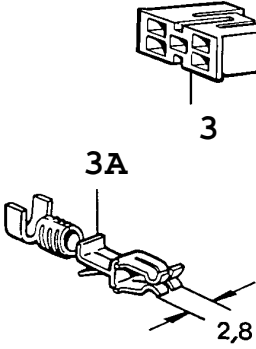
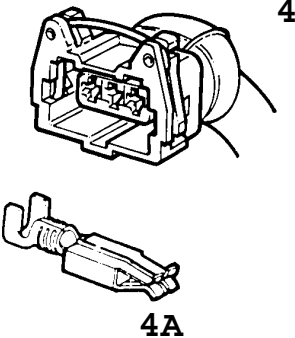
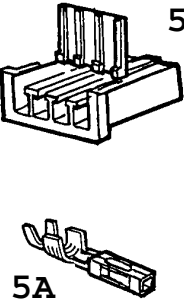
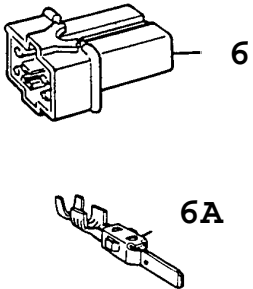
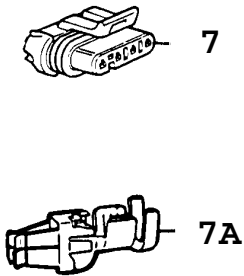
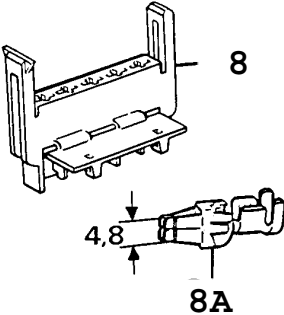
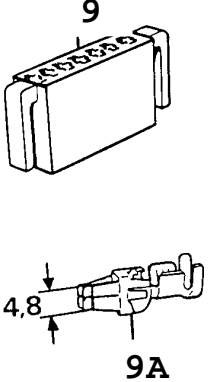
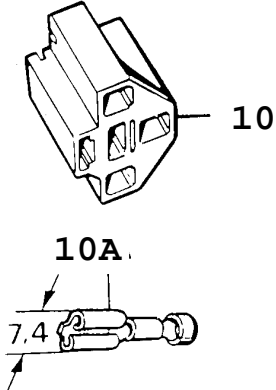
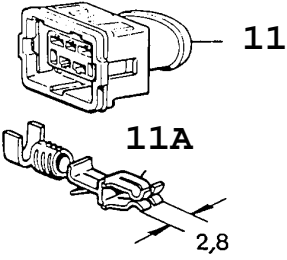
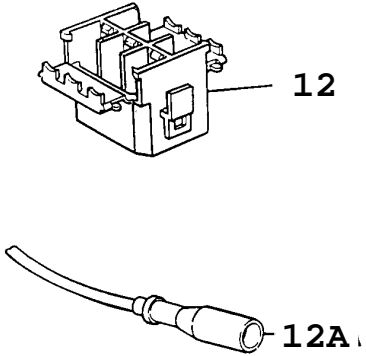
Rep.	N° de pièce	Article	Usage	Qté
1	95 03 475	Boîtier contact 6-poles, douille	JOINT PIECE, JOINT PIECE CABLE HARNESS ENGINE	X
1A	78 74 498	Connexion		X
2	95 06 668	Boîtier contact 6-poles, broche	JOINT PIECE, JOINT PIECE CABLE HARNESS ENGINE	X
2A	78 74 506	Connexion		X
3	85 93 949	Boîtier contact 7-poles, douille	EZK, POWER STAGE, VALVE	X
3A	91 20 668	Cosse	AREA, 0, 75-1, 5 MM2, NLS-USE 30520560	X
3B	85 74 048	Protection	NLS	X
4	91 22 797	Boîtier contact 7-poles, douille	THEFT ALARM, SWITCH DIRECTION INDICATOR, SWITCH SPEED CONTROL TAIL LIGHT	X
4A	91 20 791	Cosse	AREA, 2, 5-4, 0 MM2	X
5	91 23 381	Boîtier contact 7-poles, douille	SWITCH ELECTRIC MIRROR	X
5A	85 21 593	Cosse	AREA, 0, 5-1, 5 MM2	X
5B	91 20 668	Cosse	AREA, 0, 75-1, 5 MM2, NLS-USE 30520560	X
6	95 03 251	Boîtier contact 7-poles, douille	HEATING FAN	X
6A	79 72 029	Cosse	AREA, 1, 0-2, 5 MM2, NLS-USE 8522534	X
7	95 12 591	Contact 7-poles, douille	TEST CONNECTOR	X
7A	85 87 552	Cosse	AREA, 0, 5-1, 5 MM2	X
7A	85 87 560	Cosse	AREA, 1, 0-2, 5 MM2	X
7B	85 82 454	Cosse	AREA, 0, 5-1, 05MM2	X
7C	95 20 974	Couvercle		X
8	85 21 700	Contact 7-poles, douille	JOINT PIECE, JOINT PIECE MAINX CABLE HARNESS REAR LH AND RH, JOINT PIECE A-PILLAR RH	X
8A	85 44 298	Cosse	AREA, 0, 5-2, 0 MM2, NLS-USE 8582595	X
8B	85 87 552	Cosse	AREA, 0, 5-1, 5 MM2	X
9	85 21 718	Boîtier contact 7-poles, broche	JOINT PIECE, JOINT PIECE MAINX CABLE HARNESS A- PILLAR RH, JOINT PIECE CABLE HARNESS DOORS	X
9A	85 44 314	Cosse	AREA, 0, 5-2, 0 MM2, NLS-USE 8582603	X
9B	85 93 964	Cosse	AREA, 0, 5-1, 5 MM2	X
10	85 44 363	Boîtier contact 8-poles, douille	SWITCH REAR FOGLIGHT	X
10A	85 41 203	Cosse	AREA, 0, 5-1, 5 MM2, NLS-USE 8560476	X
10A	85 41 211	Cosse	AREA, 2, 5-4, 0 MM2	X
11	85 33 655	Boîtier contact 8-poles, douille	ELECTRONIC UNIT SPEED CONTROL	X
11A	91 20 775	Cosse	AREA, 0, 5-1, 5 MM2	X
11B	91 20 791	Cosse	AREA, 2, 5-4, 0 MM2	X

Rep.	N° de pièce	Article	Usage	Qté
12	91 24 181	Boîtier contact 8-poles, broche	JOINT PIECE, EL-HEATED SEAT, X EDU II, JOINT PIECE CABLE HARNESS ROOF	
12A	85 93 089	Cosse	AREA, 0, 5-1, 0 MM2	X
12A	85 16 957	Cosse	AREA, 4, 0-6, 0 MM2	X



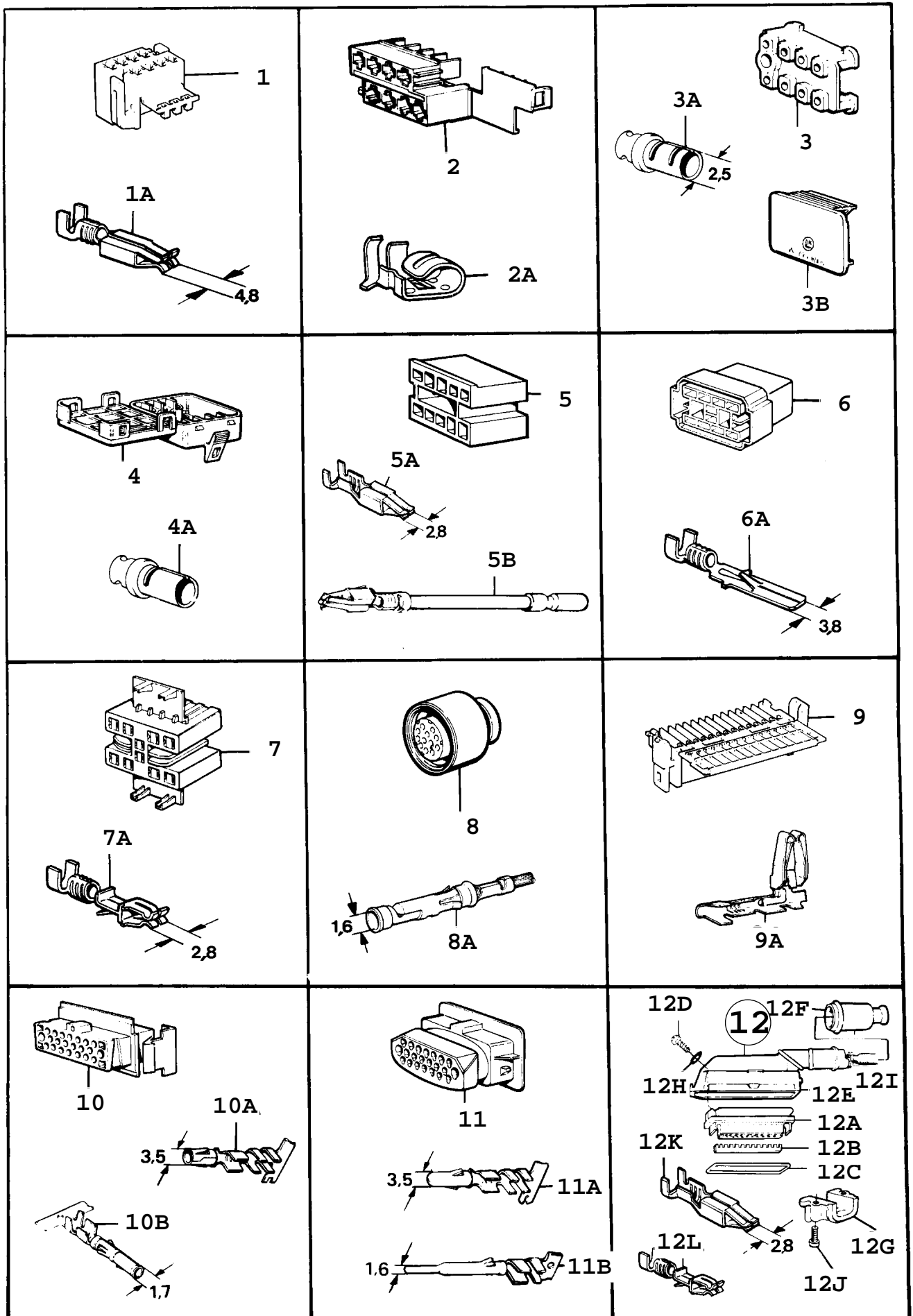
Rep.	N° de pièce	Article	Usage	Qté
1	41 17 461	Boîte connexion 10-poles, broche	DIAGNOS ENGINE, JOINT PIECE X CABLE HARNESS ROOF, POWER SUPPLY RADIO, DIAGNOS CAR JOINT PIECE, REAR AC	X
1A	41 15 077	Cosse	AREA, 1, 0 2, 5 MM2, NLS-USE 12789934	X
1A	41 15 085	Cosse	AREA, 1, 0 2, 5 MM2	X
2	95 29 512	Boîtier contact 12-poles, broche	JOINT PIECE MAIN CABLE HARNESS/AIR-BAG	X
2A	95 26 401	Cosse	AREA, 0, 2-0, 56 MM2	X
3	95 03 020	Boîtier contact 14-poles, douille	INSTRUMENTS	X
3A	95 05 397	Cosse	AREA, 1, 5-2, 5 MM2	X
4	41 09 278	Boîtier de connecteur 15-poles, douille	SPEED CONTROL	X
4A	91 20 957	Cosse	AREA, 1, 0-2, 5 MM2, NLS-USE 30520560	X
5	95 66 282	Boîtier contact 16-poles, douille	ELECTRONIC UNIT THEFT ALARM, EAS WITH MEMORY, AMPLIFIER	X
5A	91 20 668	Cosse	AREA, 0, 75-1, 5 MM2, NLS-USE 30520560	X
5A	91 20 957	Cosse	AREA, 1, 0-2, 5 MM2, NLS-USE 30520560	X
6	91 25 543	Boîtier contact 18-poles, douille	EL-DISTRIBUT. UNIT	X
6A	91 20 791	Cosse	AREA, 2, 5-4, 0 MM2	X
7	40 60 893	Boîtier contact 19-poles, douille	SWITCH CENTRE CONSOLE	X
7A	40 67 617	Capot		X
7B	91 20 957	Cosse	AREA, 1, 0-2, 5 MM2, NLS-USE 30520560	X
8	95 27 755	Boîtier contact 20-poles, douille	ELECTRONIC UNIT AIR-BAG	X
8A	95 27 763	Boîtier contact		X
8B	95 27 771	Cosse	AREA, 0, 5 MM2	X
9	95 25 106	Boîtier contact 22-poles, douille	JOINT PIECE FRONT DOORS	X
9A	85 82 595	Cosse	AREA, 0, 5-2, 0 MM2	X
9B	85 87 552	Cosse	AREA, 0, 5-1, 5 MM2	X
10	95 25 114	Boîtier contact 22-poles, broche	JOINT PIECE DOORS	X
10A	85 82 603	Cosse	AREA, 2, 0-4, 0 MM2	X
10B	85 93 964	Cosse	AREA, 0, 8-1, 5 MM2	X
11	41 74 868	Boîtier de connecteur 24-poles, broche	JOINT PIECE MAIN CABLE HARNESS, JOINT PIECE CABLE HARNESS FRONT	X
11A	41 15 192	Cosse	AREA, 1, 0-2, 5 MM2	X
11B	41 11 308	Protection en caoutchouc		X
11C	45 88 349	Anneau verrouillage		X
12	41 76 244	Boîtier de connecteur 24-poles, douille	JOINT PIECE CABLE HARNESS ENGINE	X
12A	40 61 586	Cosse	AREA, 1, 0-2, 5 MM2	X

Rep.	N° de pièce	Article	Usage	Qté
12B	43 52 936	Joint		X
12C	40 61 958	Joint	BLIND PLUG, NLS-USE 12798370	X
12C	40 61 966	Joint	1,2-2,0 MM	X
12C	40 61 974	Joint	2,1-2,0 MM	X

 <p>1</p> <p>1A</p> <p>2,8</p>	 <p>2</p> <p>2A</p> <p>2B</p>	 <p>3</p> <p>3A</p> <p>2,8</p>
 <p>4</p> <p>4A</p>	 <p>5</p> <p>5A</p>	 <p>6</p> <p>6A</p>
 <p>7</p> <p>7A</p>	 <p>8</p> <p>4,8</p> <p>8A</p>	 <p>9</p> <p>4,8</p> <p>9A</p>
 <p>10</p> <p>10A</p> <p>7,4</p>	 <p>11</p> <p>11A</p> <p>2,8</p>	 <p>12</p> <p>12A</p>

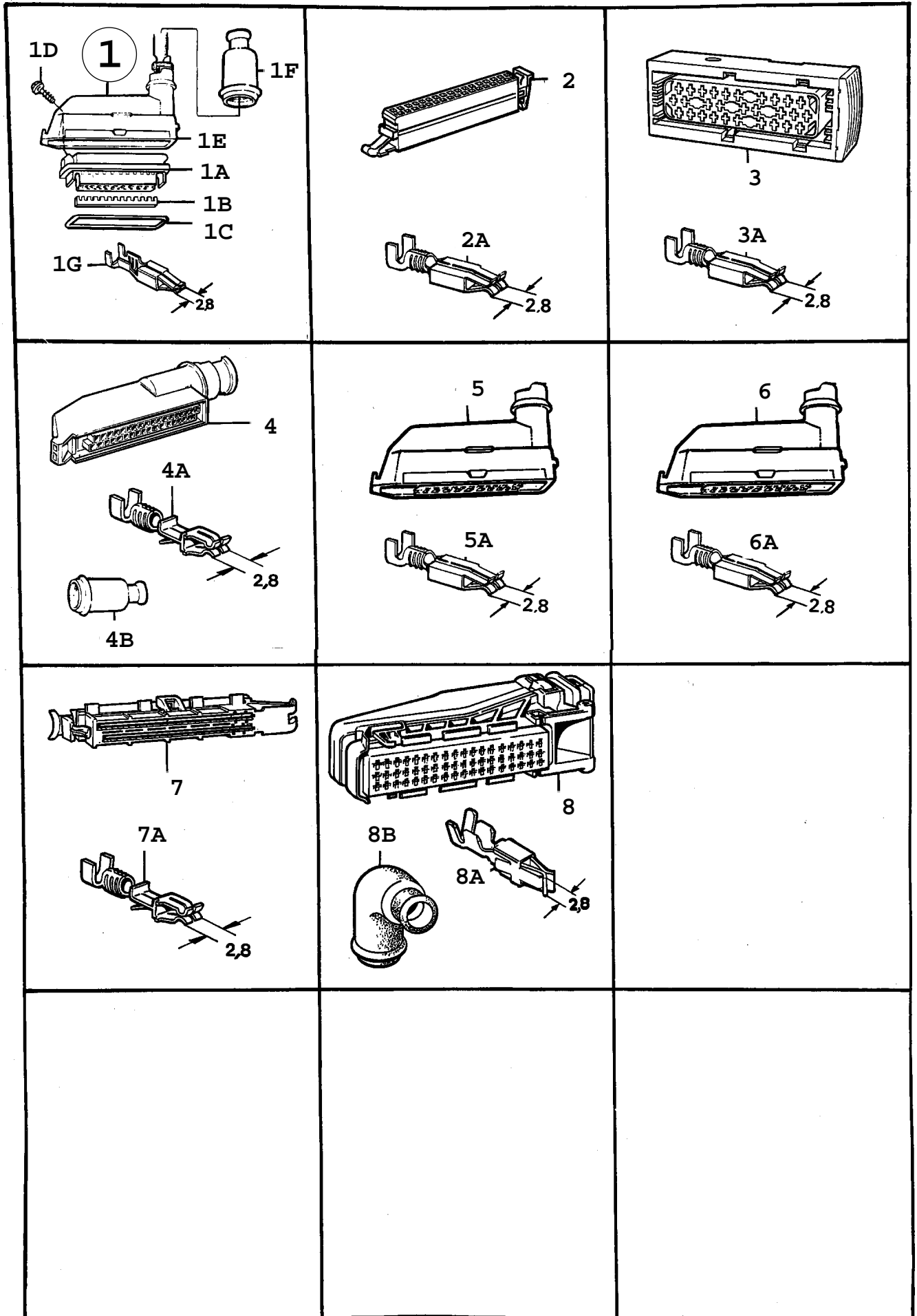
CAC94 F7568

Rep.	N° de pièce	Article	Usage	Qté
1	41 13 601	Boîtier de connecteur 4-poles, douille	HEAD LIGHT, HEAT PLATES, LAMBDA SONDE, SENSOR KRANKSHAFT SENSOR CAMSHAFT PRESSURE MONITOR	X
1A	43 50 526	Cosse	AREA, 0, 5-1, 0 MM2	X
2	41 13 650	Boîtier de connecteur 4-poles, broche	SENSOR FUEL PUMP JOINT PIECE	X
2A	41 15 192	Cosse	AREA, 1, 0-2, 5 MM2	X
2B	41 13 759	Joint		X
3	40 61 503	Boîtier contact 4-poles, douille	CONTACT PARKING PAWL	X
3A	91 20 957	Cosse	AREA, 1, 0-2, 5 MM2, NLS-USE 30520560	X
4	44 32 357	Boîtier de connecteur 4-poles, douille	MASS AIR FLOW SENSOR	X
4A	40 61 586	Cosse	AREA, 1, 0-2, 5 MM2	X
5	45 37 411	Boîtier de connecteur 4-poles, douille	SENSOR THEFT ALARM	X
5A	45 38 310	Cosse	AREA, 0, 2-0, 56 MM2	X
6	41 17 263	Boîtier de connecteur 4-poles, broche	JOINT PIECE MAIN CABLE HARNESS	X
6A	41 15 077	Cosse	AREA, 1, 0-2, 5 MM2, NLS-USE 12789934	X
7	46 68 604	Boîtier contact 4-poles, douille	IGNITION COIL	X
7A	40 61 586	Cosse	AREA, 1, 0-2, 5 MM2	X
8	91 22 789	Boîtier contact 5-poles, douille	RESISTOR HEATING FAN	X
8A	91 20 791	Cosse	AREA, 2, 5-4, 0 MM2	X
9	91 24 173	Boîtier contact 5-poles, douille	GEAR INDICATOR, JOINT PIECE, GEAR INDICATOR STARTER INHIBITOR	X
9A	91 20 791	Cosse	AREA, 2, 5-4, 0 MM2	X
10	85 33 697	Boîtier contact 5-poles, douille	RELAY EXHAUST TEMP	X
10A	85 82 454	Cosse	AREA, 0, 5-1, 5 MM2	X
11	44 32 365	Boîtier de connecteur 5-poles, douille	TCS	X
11A	91 20 957	Cosse	AREA, 1, 0-2, 5 MM2, NLS-USE 30520560	X
12	95 03 475	Boîtier contact 6-poles, douille	JOINT PIECE	X
12A	85 47 796	Bloc connexion		X
12A	78 74 498	Connexion		X

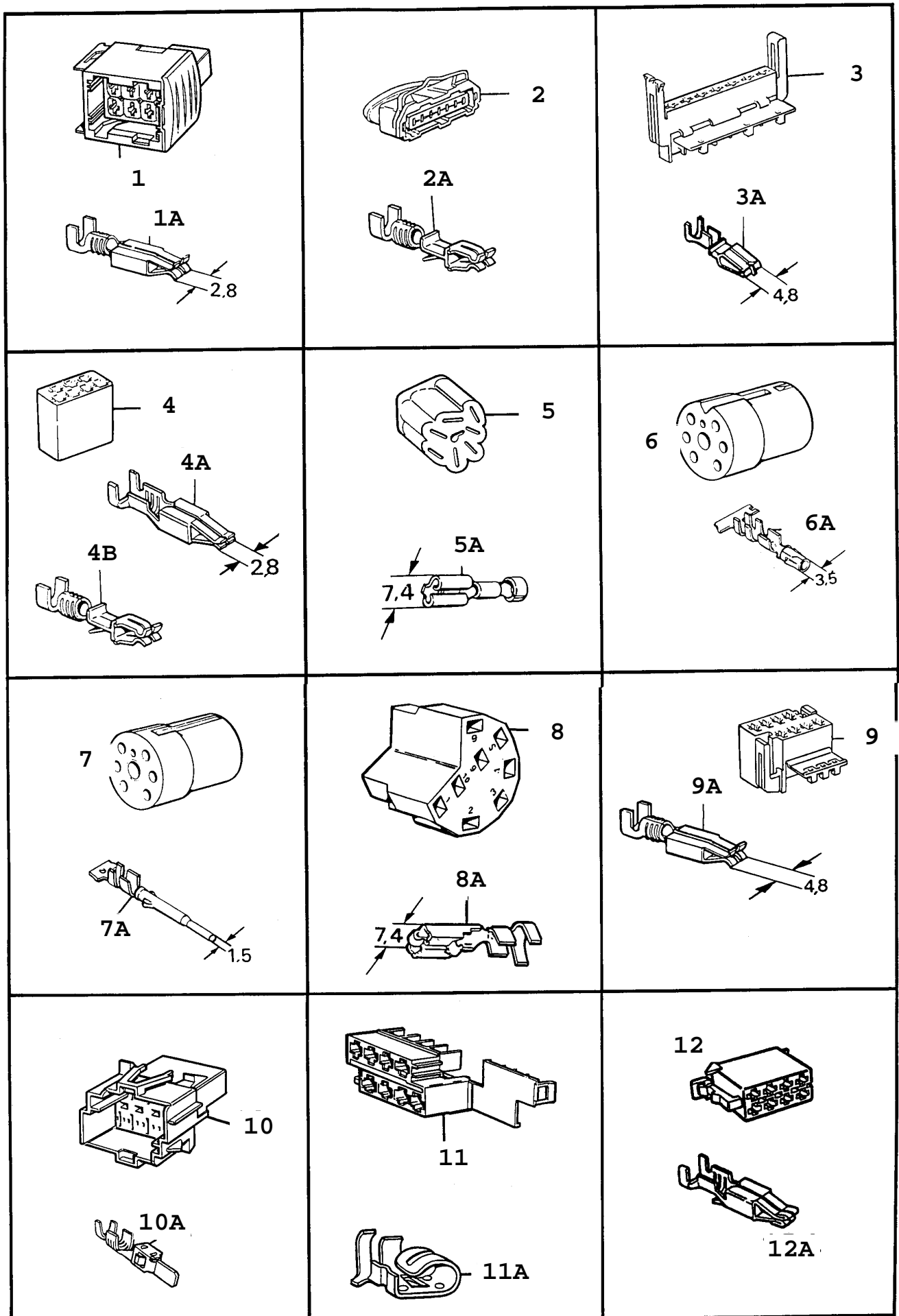


Rep.	N° de pièce	Article	Usage	Qté
1	91 24 090	Boîtier contact 8-poles, douille	I, JOINT PIECE, SWITCH REAR DEMIST, SWITCH SUN ROOF, REGULATOR, SWITCH SUN CENTRAL LOCK, TOW HOOK ACC, TRUNK LID, SWITCH CENTRAL LOCK, ON/OFF SWITCH FAN, DCC, EDU ALARM, JOINT PIECE CABLE HARNESS ROOF	X
1A	91 20 791	Cosse	AREA, 2, 5-4, 0 MM2	X
2	95 03 525	Boîtier contact 8-poles, douille	SWITCH WINDOW REGULATOR	X
2A	85 82 090	Cosse	AREA, 0, 5-1, 5 MM2	X
3	95 52 159	Boîtier contact 8-poles, douille	ELECTRONIC UNIT BELT TENSIONER	X
3A	95 52 175	Cosse		X
3B	95 52 167	Couvercle		X
4	95 12 930	Boîtier contact 9-poles, douille	LOCK STEERING COLUMN	X
4A	95 09 746	Cosse	AREA, 0, 5-1, 5 MM2	X
5	85 44 371	Boîte connexion 10-poles, douille	LEVEL CONTROL, NLS	X
5A	85 21 593	Cosse	AREA, 0, 5-1, 5 MM2	X
5B	85 22 617	Cosse	AREA, 1, 0-2, 6 MM2	X
6	91 22 557	Boîte connexion 10-poles, broche	RADIO, JOINT PIECE MAIN CABLE HARNESS SAAB DI	X
6A	95 52 100	Cosse	AREA, 0, 75-1, 5 MM2	X
7	91 23 399	Boîte connexion 10-poles, douille	REAR FOG LIGHT, SWITCH AC, RECIRCULATION AC, RADIO, REOSTAT, FOG LIGHT EXTRA, REOSTAT EL- PAD, HEADLIGHT LEVELING SAAB DI	X
7A	91 20 668	Cosse	AREA, 0, 75-1, 5 MM2, NLS-USE 30520560	X
8	95 29 538	Boîtier contact 12-poles, douille	BELT TENSIONER	X
8A	95 25 817	Cosse	AREA, 0, 2-0, 56 MM2	X
9	95 03 020	Boîtier contact 14-poles, douille	INSTRUMENTS	X
9A	95 05 397	Cosse	AREA, 1, 5-2, 5 MM2	X
10	95 25 106	Boîtier contact 22-poles, douille	JOINT PIECE	X
10A	85 44 298	Cosse	AREA, 0, 5-2, 0 MM2, NLS-USE 8582595	X
10B	85 87 552	Cosse	AREA, 0, 5-1, 5 MM2	X
11	95 25 114	Boîtier contact 22-poles, broche	JOINT PIECE CABLE HAR- NESS DOORS	X
11A	85 44 314	Cosse	AREA, 2, 0-4, 0 MM2, NLS-USE 8582603	X
11B	85 93 964	Cosse	AREA, 0, 8-1, 5 MM2	X
12	85 79 930	Boîtier contact 25-poles, douille	ELECTRONIC UNIT LH, NLS	X
12A	85 87 420	Boîtier contact		1

Rep.	N° de pièce	Article	Usage	Qté
12B	85 87 438	·Gâche		1
12C	85 87 453	·Joint		1
12D	85 87 487	·Vis		1
12E	85 87 412	·Capot	NLS	1
12F	85 87 446	·Bague	NLS	1
12G	85 87 495	·Support	NLS	1
12H	85 87 461	·Joint		1
12I	79 71 872	·Ruban serrage	(8558256)	1
12J	79 71 351	·Vis		2
12K	85 21 593	Cosse	AREA, 0, 5-1, 5 MM2	X
12L	91 20 668	Cosse	AREA, 0, 75-1, 5 MM2, NLS-USE 30520560	X

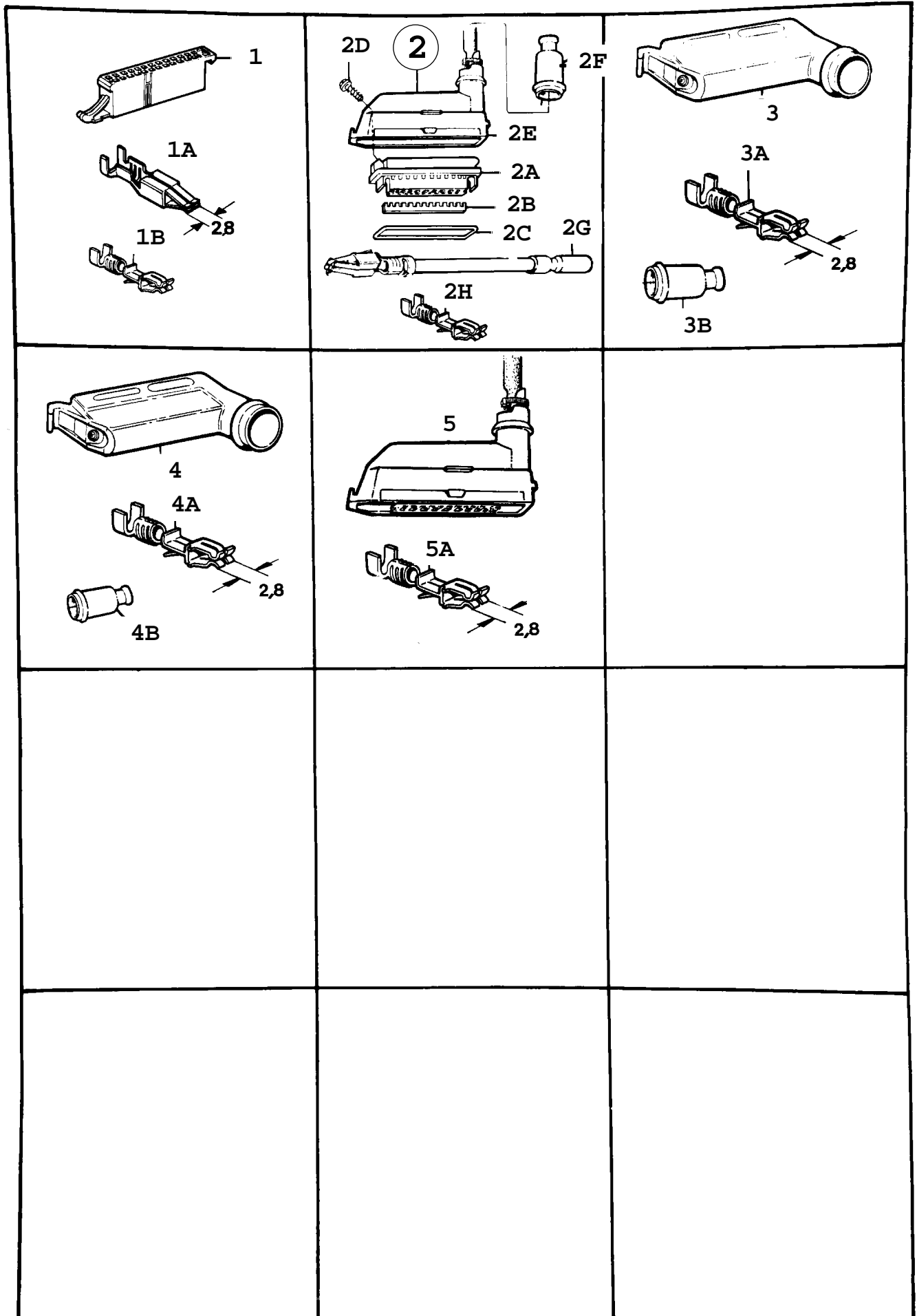


Rep.	N° de pièce	Article	Usage	Qté
1	85 86 802	Boîtier contact 25-poles, douille	ELECTRONIC UNIT EZK	X
1A	85 87 420	*Boîtier contact		1
1B	85 87 438	*Gâche Note: N'est pas une pièce de rechange distincte.		1
1C	85 87 453	*Joint Note: N'est pas une pièce de rechange distincte.		1
1D	85 87 487	*Vis Note: N'est pas une pièce de rechange distincte.		1
1E	85 87 503	*Capot Note: N'est pas une pièce de rechange distincte.		1
1F	85 87 511	*Protection en caoutchouc Note: N'est pas une pièce de rechange distincte.		1
1G	91 20 957	*Cosse	AREA, 1, 0-2, 5 MM2, NLS-USE 30520560	1
2	41 76 186	Boîtier de connecteur 25-poles, douille	ELECTRONIC UNIT ASR	X
2A	91 20 957	Cosse	AREA, 1, 0-2, 5 MM2, NLS-USE 30520560	1
3	41 14 609	Boîtier de connecteur 29-poles, douille	DIAGNOSTIC UNIT AIR-BAG	X
3A	91 20 957	Cosse	AREA, 1, 0-2, 5 MM2, NLS-USE 30520560	X
4	91 25 519	Boîtier contact 35-poles, douille	ELECTRONIC UNIT LH	X
4A	91 20 668	Cosse	AREA, 0, 75-1, 5 MM2, NLS-USE 30520560	X
4B	85 87 511	Protection en caoutchouc		X
5	41 75 428	Boîtier de connecteur 38-poles, douille	ELECTRONIC UNIT ETS	X
5A	91 20 957	Cosse	AREA, 1, 0-2, 5 MM2, NLS-USE 30520560	X
6	41 76 269	Boîtier de connecteur 38-poles, douille	ELECTRONIC UNIT	X
6A	91 20 957	Cosse	AREA, 1, 0-2, 5 MM2, NLS-USE 30520560	
7	95 65 045	Boîtier contact 39-poles, douille	ELECTRONIC UNIT ACC, EDU	X
7A	40 63 970	Cosse	AREA, 0, 5-1, 0 MM2	X
7A	91 20 957	Cosse	AREA, 1, 0-2, 5 MM2, NLS-USE 30520560	X
8	41 76 210	Boîtier contact 55-poles, douille	ELECTRONIC UNIT ETS	X
8A	40 61 586	Cosse	AREA, 1, 5-2, 5 MM2	X
8B	40 61 461	Capot		X



CAC94 F7569

Rep.	N° de pièce	Article	Usage	Qté
1	41 13 809	Boîtier de connecteur 6-poles, douille	WASHER MOTOR, CENTRAL LOCK, JOINT PIECE BOOT LID, JOINT PIECE ENGINE, NLS-USE 12788966	X
1A	40 61 586	Cosse	AREA, 1, 0-2, 5 MM2	X
2	85 93 949	Boîtier contact 7-poles, douille	VALVE, OUTPUT STAGE	X
2A	91 20 668	Cosse	AREA, 0, 75-1, 5 MM2, NLS-USE 30520560	X
3	91 22 797	Boîtier contact 7-poles, douille	THEFT ALARM, SWITCH DIRECTION INDICATOR, SWITCH SPEED CONTROL TAIL LIGHT	X
3A	91 20 791	Cosse	AREA, 2, 5-4, 0 MM2	X
4	91 23 381	Boîtier contact 7-poles, douille	SWITCH ELECTRIC MIRROR	X
4A	85 21 593	Cosse	AREA, 0, 5-1, 5 MM2	X
4A	91 20 957	Cosse	AREA, 1, 0-2, 5 MM2, NLS-USE 30520560	X
4B	91 20 668	Cosse	AREA, 0, 75-1, 5 MM2, NLS-USE 30520560	X
5	95 03 251	Boîtier contact 7-poles, douille	HEATING FAN	X
5A	79 72 029	Cosse	AREA, 1, 0-2, 5 MM2, NLS-USE 8522534	X
5A	79 68 068	Cosse	AREA, 4, 0-6, 0 MM2	X
6	85 21 700	Contact 7-poles, douille	JOINT PIECE	X
6A	85 82 595	Cosse	AREA, 0, 5-2, 0 MM2	X
7	85 21 718	Boîtier contact 7-poles, broche	JOINT PIECE CABLE HAR- NESS DOORS	X
7A	85 82 603	Cosse	AREA, 0, 5-2, 0 MM2	X
8	85 44 363	Boîtier contact 8-poles, douille	SWITCH LIGHT	X
8A	85 60 476	Cosse	AREA, 0, 9-2, 0 MM2	X
8A	85 41 211	Cosse	AREA, 2, 5-4, 0 MM2	X
9	91 24 090	Boîtier contact 8-poles, douille	SWITCH REAR DEMIST, DCC SWITCH SUN ROOF REGULA- TOR, TOW HOOK SWITCH CENTRAL LOCK ON/OFF, JOINT PIECE CABLE HARNESS ROOF JOINT PICE TRUN LID	X
9A	91 20 791	Cosse	AREA, 2, 5-4, 0 MM2	X
10	41 17 768	Boîtier de connecteur 8-poles, broche	HEATING PAD, JOINT PIECE MAIN CABLE HAR- NESS	X
10A	41 15 580	Cosse	AREA, 1, 0-2, 5 MM2	X
11	95 03 525	Boîtier contact 8-poles, douille	SWITCH WINDOW REGULATOR	X
11A	85 82 090	Cosse	AREA, 0, 5-1, 5 MM2	X
12	42 03 626	Boîtier de connecteur 8-poles, douille brun	RADIO	X
12A	91 20 957	Cosse	AREA, 1, 0-2, 5 MM2, NLS-USE 30520560	X



Rep.	N° de pièce	Article	Usage	Qté
1	95 06 650	Boîtier contact 25-poles, broche	ELECTRONIC UNIT ACC	X
1A	85 21 593	Cosse	AREA, 0, 5-1, 5 MM2	X
1B	91 20 668	Cosse	AREA, 0, 75-1, 5 MM2, NLS-USE 30520560	X
2	85 86 802	Boîtier contact 25-poles, douille	EZK, APC	X
2A	85 87 420	*Boîtier contact		1
2B	85 87 438	*Gâche		1
2C	85 87 453	*Joint		1
2D	85 87 487	*Vis		1
2E	85 87 503	*Capot		1
2F	85 87 511	*Protection en caoutchouc		1
2G	85 22 617	Cosse	AREA, 1, 0-2, 6 MM2	X
2H	91 20 668	Cosse	AREA, 0, 75-1, 5 MM2, NLS-USE 30520560	X
3	95 64 071	Boîtier contact 25-poles, douille	ELECTRONIC UNIT SAAB DI	X
3A	91 20 668	Cosse	AREA, 0, 75-1, 5 MM2, NLS-USE 30520560	X
3B	85 87 511	Protection en caoutchouc		X
4	95 64 089	Boîtier contact 25-poles, douille	APC, EZ100K	X
4A	91 20 668	Cosse	AREA, 0, 75-1, 5 MM2, NLS-USE 30520560	X
4B	85 87 511	Protection en caoutchouc		X
5	95 29 496	Boîtier contact 35-poles, douille	ELECTRONIC UNIT ABS	X
5A	91 20 668	Cosse	AREA, 0, 75-1, 5 MM2, NLS-USE 30520560	X

Rep.	N° de pièce	Article	Usage	Qté
1	71 55 112	Boîtier contact 1-poles, douille	IGNITION PULS, LIGHT GEAR INDICATOR, HIGH MOUNTED STOP LIGHT	X
1A	79 71 708	Cosse	AREA, 0, 5-1, 5 MM2	X
2	71 55 120	Boîtier contact 1-poles, broche	EL-MIRROR, EL-CENTRAL	X
2A	85 22 542	Cosse	AREA, 1, 0-2, 6 MM2	X
3	85 30 115	Boîtier contact 1-poles, broche	LOUDSPEAKER	X
3A	85 30 107	Cosse	AREA, 0, 5-1, 0 MM2	X
4	85 33 184	Boîtier contact 1-poles, broche	LOUDSPEAKER	X
4A	85 82 439	Cosse	AREA, 0, 5-1, 5 MM2	X
5	85 21 692	Boîtier contact 1-poles, douille	IGNITION COIL, REAR DEMIST, LIGHT ASH TRAY, ENGINE COMPARTMENT LIGHT	X
5A	85 22 526	Cosse	AREA, 0, 5-1, 5 MM2	X
5A	85 21 684	Cosse	AREA, 1, 0-2, 5 MM2, NLS-USE 8522526	X
6	85 41 229	Douille d'isolation 1-poles, broche	LIGHT INSTEP, LIGHT NUM- BER X PLATE, GLOVE COMP- ARTMENT LIGHT	X
6A	85 41 203	Cosse	AREA, 0, 5-1, 5 MM2, NLS-USE 8560476	X
6B	85 60 476	Cosse	AREA, 0, 9-2, 0 MM2	X
7	95 03 418	Boîte connexion 1-poles, douille	COMPRESSOR	X
7A	85 47 796	Bloc connexion		X
8	85 16 916	Isolant 1-poles, douille	THERMO CONTACT, LIGHT ASH TRAY, HORN, LIGHT LUGGAGE COMPARTMENT SWITCH HAND BRAKE JOINT, SHIFTING MOTOR PIECE REAR DOOR	X
8A	85 14 036	Cosse	AREA, 1, 5-2, 5 MM2	X
8B	95 69 997	Protection		X
9	83 78 630	Boîtier contact 2-poles, douille	PEDAL CONTACT SPEED CONTROL, JOINT PIECE BRAKE, JOINT PIECE CLUTCH	X
9A	85 22 575	Câblage	AREA, 0, 5-1, 4 MM2	X
10	85 93 899	Boîtier contact 2-poles, douille	AUXILIARY AIR VALVE FUEL SYSTEM, VENTILATION	X
10A	85 21 593	Cosse	AREA, 0, 5-1, 5 MM2	X
10B	91 20 668	Cosse	AREA, 0, 75-1, 5 MM2, NLS-USE 30520560	X
11	95 03 319	Boîtier contact 2-poles, douille	EL. WINDOW REGULATOR STD FAN, LEVEL GUARD RADIATOR, LEVEL SWITCH WASHER MOTOR, FAN AC FOG LIGHT, JOINT PIECE OUTER TEMP, JOINT PIECE THERMO CONTACT, MICRO SWITCH, FAN, FOG LIGHT EXTRA, ABS, SWITCH, HORN	X

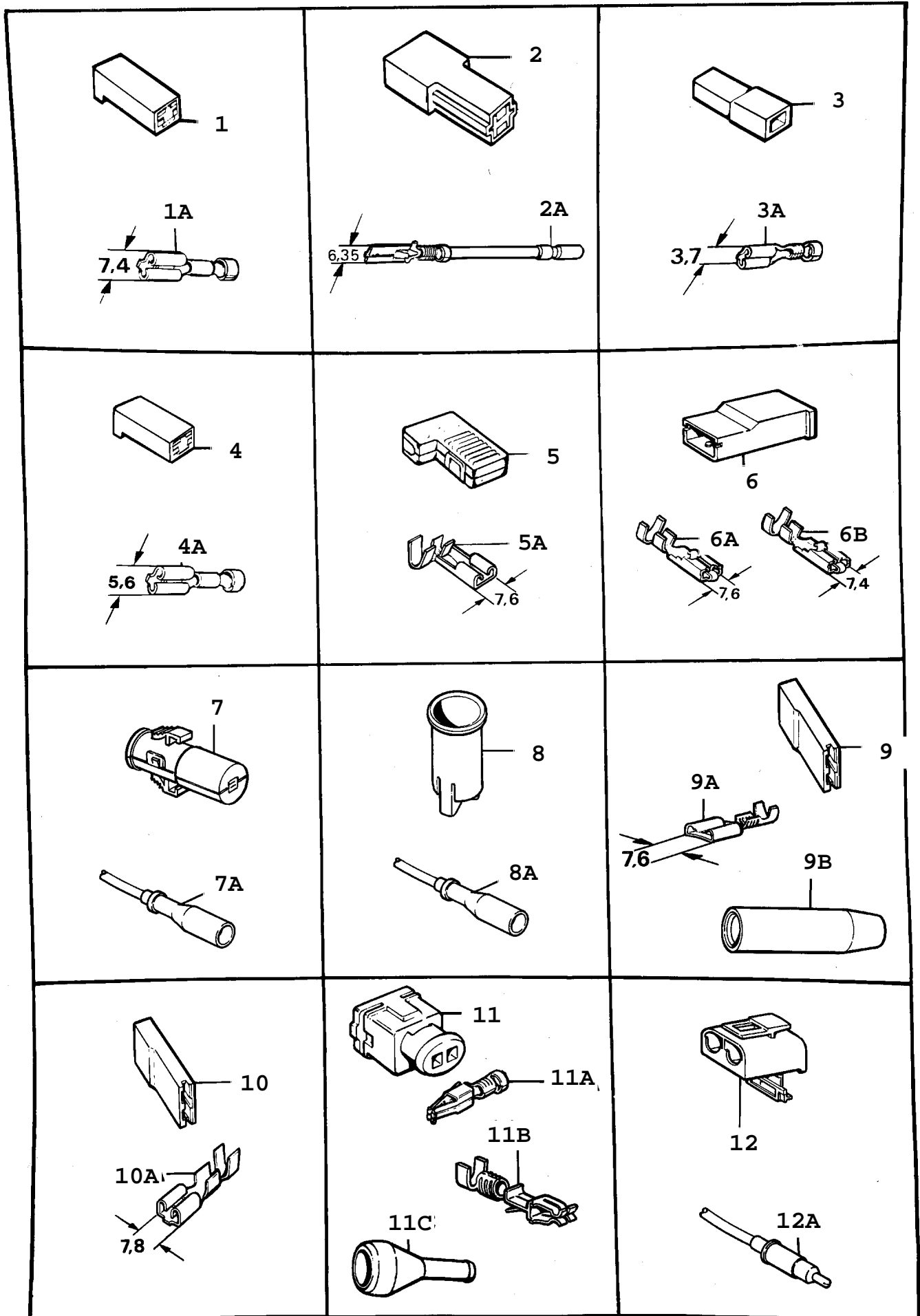
Rep.	N° de pièce	Article	Usage	Qté
			SWITCH BRAKE LIGHT, BY-PASS, APC DISSANGAGEMENT THEFT ALARM, JOINT PIECE TRUNK LID, DOOR FAN, DAY DRIVING LIGHT, CENTRAL LOCK TRUNK LID	
11A	85 47 796	Bloc connexion		X
12	91 24 157	Boîtier contact 2-poles, douille	LIGHT MIRROR, ACC, LIGHT CONTROLS, FAN AC, JOINT TRUNK LID, CENTRAL LOCK TANK HATCH	X
12A	91 20 783	Cosse	AREA, 1, 0-2, 5 MM2	X
12A	91 20 791	Cosse	AREA, 2, 5-4, 0 MM2	X
12B	95 68 775	Isolant	NLS	X

<p>1 1A</p>	<p>2 2A</p>	<p>3 3A 2,8</p>
<p>4 4A 2,8</p>	<p>5 5A</p>	<p>6 6A</p>
<p>7B 7 7A</p>	<p>8 8A 8B</p>	<p>9 9B</p>
<p>10 10A</p>	<p>11 11B 1,6</p>	<p>12 12A 2,8</p>

CAC94 F7570

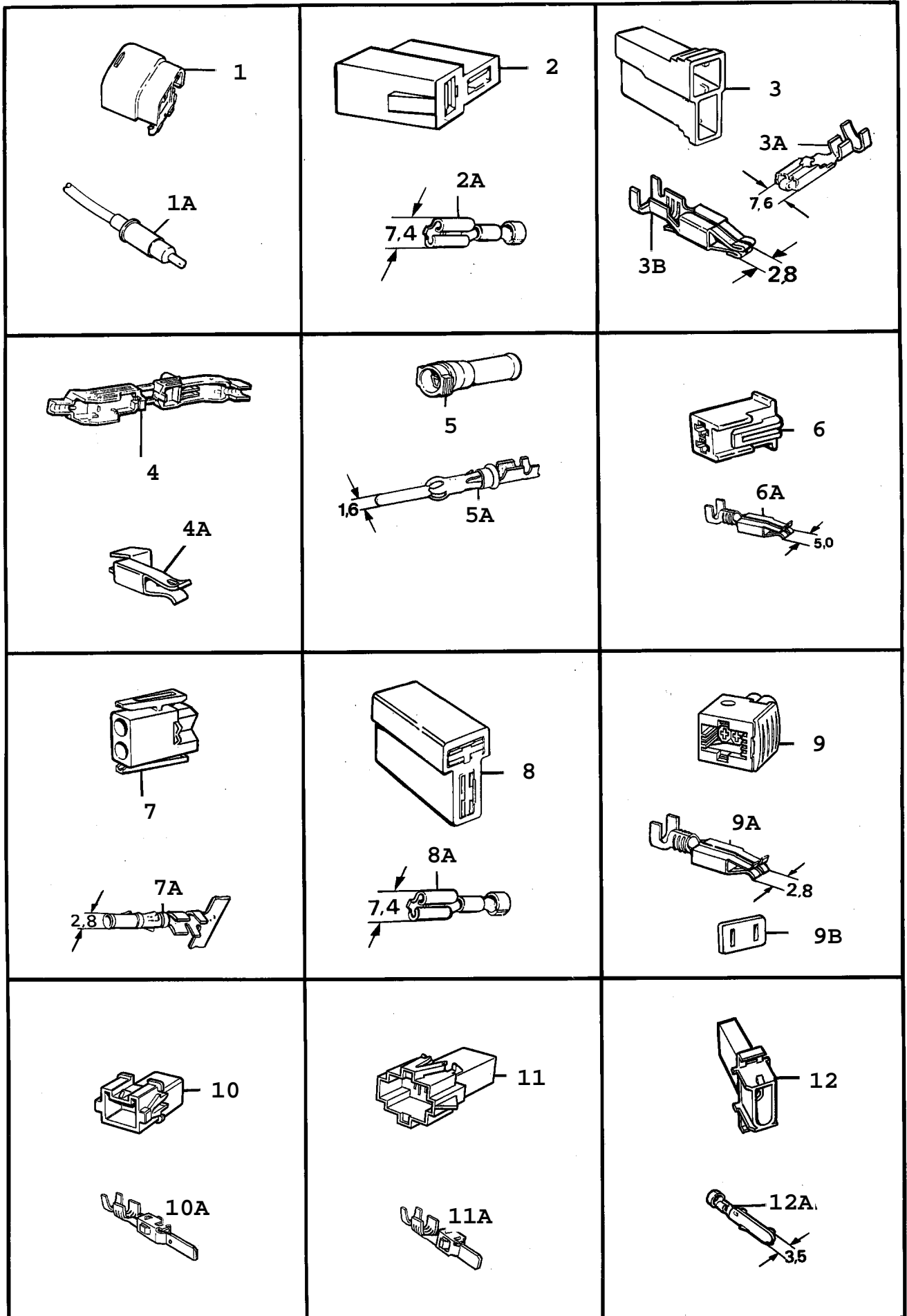
Rep.	N° de pièce	Article	Usage	Qté
1	42 03 618	Boîtier de connecteur 8-poles, douille gris	RADIO	X
1A	91 20 957	Cosse	AREA, 1, 0-2, 5 MM2, NLS-USE 30520560	X
2	95 12 930	Boîtier contact 9-poles, douille	LOCK STEERING COLUMN	X
2A	95 09 746	Cosse	AREA, 0, 5-1, 5 MM2	X
3	91 23 399	Boîte connexion 10-poles, douille	SWITCH AC, RECIRKULATION AC, FOG LIGHT EXTRA, REOSTAT ELPAD, HEADLIGHT LEVELLING, SWITCH TCS TEST CONNECTOR AIR-BAG JOINT PIECE, REOSTAT LIGHT INSTEP, BOOT LID JOINT PIECE REAR CABLE HARNESS, JOINT PIECE	X
3A	91 20 668	Cosse	AREA, 0, 75-1, 5 MM2, NLS-USE 30520560	X
3A	91 20 957	Cosse	AREA, 1, 0-2, 5 MM2, NLS-USE 30520560	X
4	41 14 005	Boîtier de connecteur 10-poles, douille	ABS, JOINT PIECE CABLE HARNESS FRONT, BULB CONTROL, JOINT PIECE MAIN CABLE HAR- NESS, DI-CASSETTE	X
4A	91 20 957	Cosse	AREA, 1, 0-2, 5 MM2, NLS-USE 30520560	X
4A	40 61 586	Cosse	AREA, 1, 0-2, 5 MM2	X
5	41 14 054	Boîtier de connecteur 10-poles, broche	JOINT PIECE ENGINE	X
5A	41 15 192	Cosse	AREA, 1, 0-2, 5 MM2	X
6	41 17 461	Boîte connexion 10-poles, broche	BY-PASS UNIT, JOINT PIECE CABLE HARNESS ROOF JOINT PIECE, JOINT PIECE MAIN CABLE HARNESS	X
6A	41 15 077	Cosse	AREA, 1, 0 2, 5 MM2, NLS-USE 12789934	X
6A	41 15 085	Cosse	AREA, 1, 0 2, 5 MM2	X
7	42 03 568	Boîtier de connecteur 10-poles, douille	SPEED CONTROL SYSTEM	X
7A	44 18 505	Cosse	AREA, 0, 5-1, 0 MM2	X
7B	42 03 576	Verrouillage		X
8	44 11 518	Boîtier de connecteur 10-poles, douille	JOINT PIECE REAR DOOR PROGR. TRIONIC	X
8A	41 15 499	Cosse	AREA, 0, 5-1, 0 MM2, NLS-USE 12790414	X
8B	91 20 957	Cosse	AREA, 1, 0-2, 5 MM2, NLS-USE 30520560	X
9	42 03 634	Boîtier de connecteur 10-poles, douille	LHD, US, AMPLIFIER	X
9A	91 20 957	Cosse	AREA, 1, 0-2, 5 MM2, NLS-USE 30520560	X
10	44 10 510	Boîtier de connecteur 10-poles, broche	JOINT PIECE REAR DOOR	X
10A	41 15 077	Cosse	AREA, 1, 0-2, 5 MM2, NLS-USE 12789934	X

Rep.	N° de pièce	Article	Usage	Qté
11	95 29 512	Boîtier contact 12-poles, broche	JOINT PIECE MAIN CABLE HARNESS/AIR-BAG	X
11A	95 26 401	Cosse	AREA, 0, 2-0, 56 MM2	X
12	95 25 031	Boîtier contact 12-poles, douille	ELECT-RONIC UNIT CENTRAL LOCK	X
12A	91 20 957	Cosse	AREA, 1, 0-2, 5 MM2, NLS-USE 30520560	X

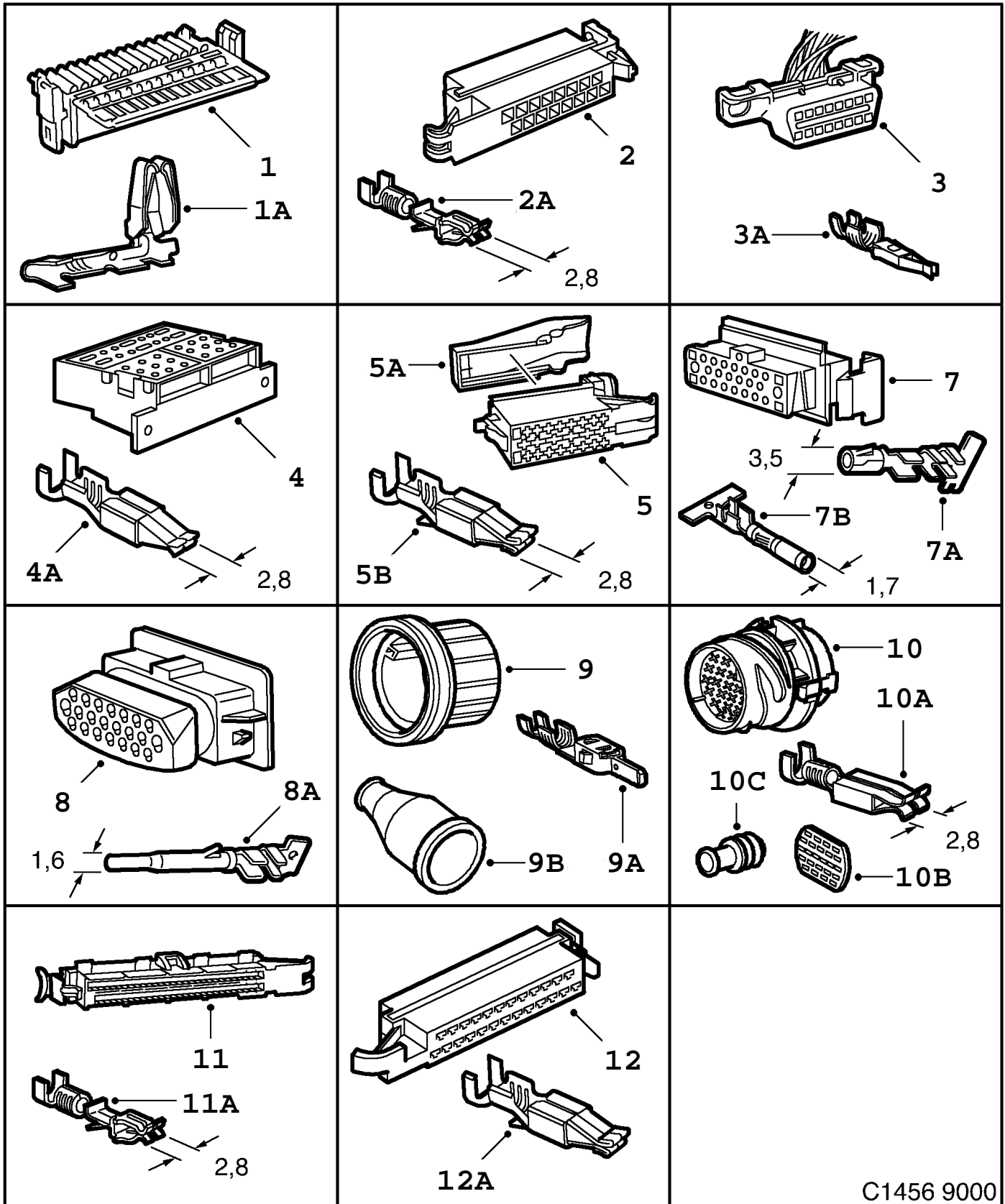


Rep.	N° de pièce	Article	Usage	Qté
1	71 55 112	Boîtier contact 1-poles, douille	IGNITION PULS, LIGHT GEAR INDICATOR, JOINT PIECE TRUNK LID, MAKE- UP MIRROR, JOINT PIECE BRAKE LIGHT	X
1A	79 71 708	Cosse	AREA, 0, 5-1, 5 MM2	X
1A	71 55 153	Cosse	AREA, 0, 8-2, 1 MM2, NLS-USE 8522534	X
2	71 55 120	Boîtier contact 1-poles, broche	EL-MIRROR, EL-CENTRAL SPEED CONTROL	X
2A	85 22 542	Cosse	AREA, 1, 0-2, 6 MM2	X
3	85 30 115	Boîtier contact 1-poles, broche	LOUDSPEAKER	X
3A	85 30 107	Cosse	AREA, 0, 5-1, 0 MM2	X
4	85 33 184	Boîtier contact 1-poles, broche	LOUDSPEAKER, PRESSURE SENSOR APC	X
4A	85 33 028	Cosse	AREA, 0, 5-1, 5 MM2, NLS-USE 8582439	X
5	85 21 692	Boîtier contact 1-poles, douille	IGNITION COIL, SWITCH BRAKE LIGHT, PRESSURE SWITCH, SWITCH ENGINE COMPARTMENT LIGHT, JOINT PIECE TRUNK LID	X
5A	85 21 676	Cosse	AREA, 0, 5-1, 5 MM2, NLS-USE 8522526	X
5A	85 22 526	Cosse	AREA, 0, 5-1, 5 MM2 (8582421)	X
5A	85 21 684	Cosse	AREA, 1, 0-2, 5 MM2, NLS-USE 8522526	X
6	85 41 229	Douille d'isolation 1-poles, broche	SPOTLIGHT, SAFETY BELT WARNING, SWITCH SPOT- LIGHT, JOINT PIECE LIGHT GLOVE BOX, LIGHT CONTROL, SPEED CONTROL	X
6A	85 41 203	Cosse	AREA, 0, 5-1, 0 MM2, NLS-USE 8560476	X
6B	85 60 476	Cosse	AREA, 0, 9-2, 0 MM2	X
7	95 03 418	Boîte connexion 1-poles, douille	COMPRESSOR, JOINT PIECE LAMBDA SOND, FUEL PUMP	X
7A	78 74 498	Connexion		X
8	95 03 426	Boîte connexion 1-poles, broche	JOINT PIECE, IGNITION SYSTEM, EZK, LAMBDA	X
8A	78 74 506	Connexion		X
9	85 16 916	Isolant 2-poles, douille	SPEED CONTROL, THERMO CONTACT, APC PRESSURE SENSOR, ELECTRONIC UNIT ACC, LIGHT ASH TRAY SWITCH DOOR FAN, SWITCH HORN, LIGHT LUGGAGE COM- PARTMENT, DOOR SWITCH INTERIOR LIGHT, THEFT ALARM, SWITCH HAND BRAKE	X
9A	85 14 036	Cosse	AREA, 0, 3-0, 8 MM2	X
9A	85 14 028	Cosse	AREA, 0, 3-0, 8 MM2, NLS-USE 7155716	X
9A	71 55 716	Cosse	AREA, 0, 5-1, 5 MM2	X
9B	95 69 997	Protection		X

Rep.	N° de pièce	Article	Usage	Qté
10	83 78 630	Boîtier contact 2-poles, douille	PEDAL CONTACT	X
10A	85 09 846	Cosse	AREA, 0, 5-1, 4 MM2, NLS-USE 8522575	X
11	85 93 899	Boîtier contact 2-poles, douille	AUXILIARY AIR VALVE INJECTION VALVE, KNOCK SENSOR, SENSOR ABS, FUEL SYSTEM, PREHEATING LAMBDA, VENTILATION COLD START VALVE	X
11A	85 21 593	Cosse	AREA, 0, 5-1, 5 MM2	X
11B	91 20 668	Cosse	AREA, 0, 75-1, 5 MM2, NLS-USE 30520560	X
11C	85 21 619	Protection		X
12	95 03 319	Boîtier contact 2-poles, douille	EL. WINDOW REGULATOR CENTRAL LOCK, STD FAN SOLENOID VALVE APC WASHER PUMP, LEVEL SWITCH, WASHER MOTOR FAN MOTOR, FAN AC JOINT PIECE, OUTER TEMP FEED PUMP, LEVEL SWITCH WASHER PUMP, FAN, FOG LIGHT EXTRA, ABS, JOINT PIECE CABLE HARNESS ENGINE, JOINT PIECE ENGINE COMPARTMENT LIGHT HORN, SWITCH BRAKE LIGHT JOINT PIECE MAIN CABLE HARNESS, BY-PASS, APC DISSANGAGEMENT, EJECTOR PUMP, THEFT ALARM, JOINT PIECE TRUNK LID,	X
12A	78 74 506	Connexion		X

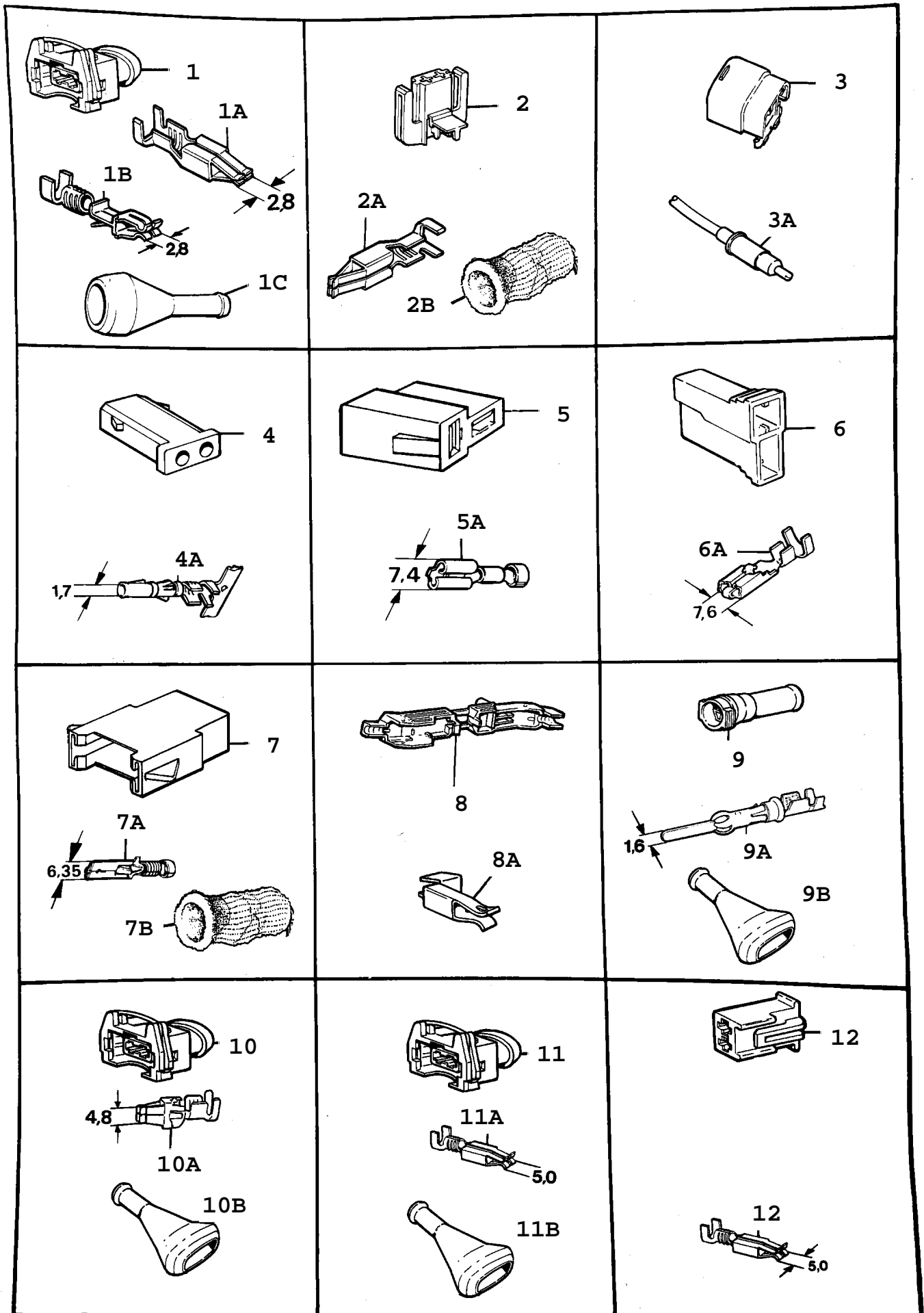


Rep.	N° de pièce	Article	Usage	Qté
1	95 01 685	Boîtier contact 2-poles, broches	JOINT PIECE, ENGINE COMPARTMENT LIGHT, SWITCH LUGGAGE COMPART- MENT LOCK	X
1A	85 47 770	Bloc connexion		X
2	85 58 538	Boîtier contact 2-poles, douille	CIGARETTE LIGHTER ELECTRONIC UNIT BELT TENSIONER	X
2A	85 82 454	Cosse	AREA 0, 5-1, 5 MM2	X
2A	85 22 534	Cosse	AREA 0, 8-2, 1 MM2	X
3	85 74 949	Boîtier contact 2-poles, douille	SPEED SENSOR	X
3A	85 60 476	Cosse	AREA 0, 9-2, 0 MM2	X
3B	91 20 957	Cosse	AREA 1, 0-2, 5 MM2, NLS-USE 30520560	X
5	95 19 406	Boîtier contact 2-poles, broches	SENSOR ABS	X
5A	95 19 398	Cosse	AREA, 0, 8-1, 5 MM2	X
6	91 23 548	Boîtier contact 2-poles, douille	SIGNAL, THEFT ALARM CONTROL LAMP LIGHT, LOUDSPEAKER, BY-PASS DOOR SWITCH, LIGHT CENTRE CONSOL, SOLENOID IGNI- TION LOCK, CODING EXTRA LIGHTS, SHIFT-LOCK	X
6A	91 20 668	Cosse	AREA, 0, 75-1, 5 MM2, NLS-USE 30520560	X
7	95 25 809	Boîtier contact 2-poles, douille	INFLATOR AIR-BAG	X
7A	95 25 817	Cosse	AREA, 0, 2-0, 56 MM2	X
8	71 55 096	Boîte connexion 2-poles, broches	SWITCH BRAKE LIGHT	X
8A	79 71 708	Cosse	AREA, 0, 5-1, 5 MM2	X
9	41 13 205	Boîtier de connecteur 2-poles, douille	JOINT PIECE ABS UNIT SPEED SENSOR, , NLS-USE 12788933	X
9A	40 61 586	Cosse	AREA, 1, 0-2, 5 MM2	X
9B	41 14 310	Joint		X
10	41 17 164	Boîtier de connecteur 2-poles, broches	JOINT PIECE TEMP SENSOR SIDE INDICATOR LAMP, SHIFT-LOCK	X
10A	41 15 077	Cosse	AREA, 1, 0-2, 5 MM2, NLS-USE 12789934	X
11	41 17 560	Boîtier de connecteur 2-poles, broches	JOINT PIECE MAIN CABLE HARNESS	X
11A	41 15 580	Cosse	AREA, 1, 0-2, 5 MM2	X
12	85 61 623	Boîtier contact 2-poles, broches	JOINT PIECE	X
12A	41 15 580	Cosse	AREA, 1, 0-2, 5 MM2	X



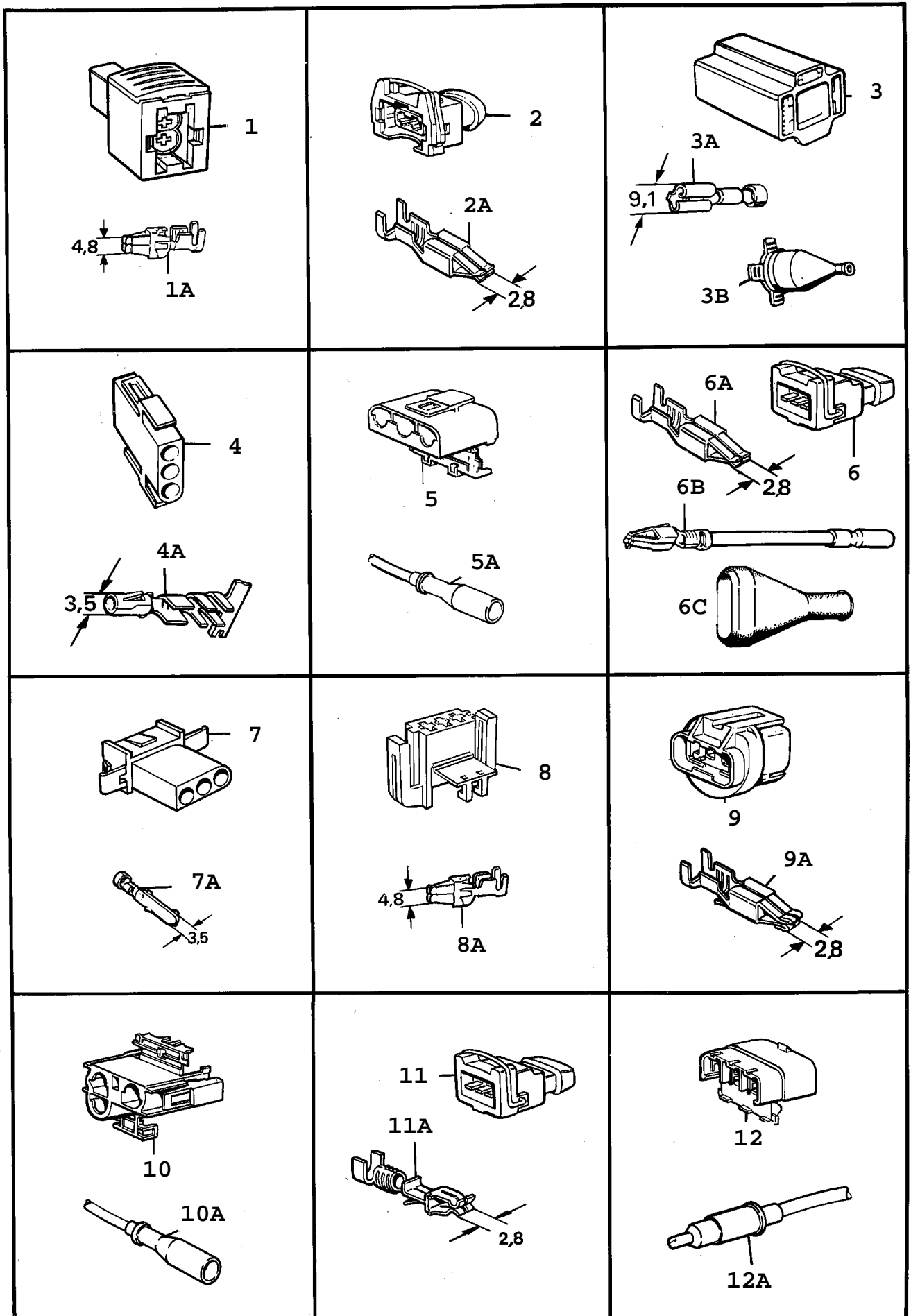
C1456 9000
 03B/0840

Rep.	N° de pièce	Article	Usage	Qté
1	95 03 020	Boîtier contact 14-poles, douille	INSTRUMENTS, PICTOGRAM	X
1A	95 05 397	Cosse	AREA, 1, 5-2, 5 MM2	X
2	95 66 282	Boîtier contact 16-poles, douille	EAS WITH MEMORY	X
2A	91 20 668	Cosse	AREA, 0, 75-1, 5 MM2, NLS-USE 30520560	X
3	42 24 606	Boîtier de connecteur 16-poles, douille	DIAGNOS	X
3A	41 15 499	Cosse	AREA, 0, 5-2, 5 MM2, NLS-USE 12790414	X
4	91 25 543	Boîtier contact 18-poles, douille	EL-DISTRIBUT. UNIT	X
4A	91 20 791	Cosse	AREA, 2, 5-4, 0 MM2	X
5	40 60 893	Boîtier contact 19-poles, douille	SWITCH CENTRE CONSOLE	X
5A	40 67 617	Capot		X
5B	91 20 957	Cosse	AREA, 1, 0-2, 5 MM2, NLS-USE 30520560	X
7	95 25 106	Boîtier contact 22-poles, douille	JOINT PIECE FRONT DOORS	X
7A	85 82 595	Cosse	AREA, 0, 5-2, 0 MM2	X
7B	85 87 552	Cosse	AREA, 0, 5-1, 5 MM2	X
8	95 25 114	Boîtier contact 22-poles, broche	JOINT PIECE DOORS	X
8A	85 93 964	Cosse	AREA, 0, 8-1, 5 MM2	X
9	41 74 868	Boîtier de connecteur 24-poles, broche	JOINT PIECE CABLE HARNESS FRONT	X
9A	41 15 192	Cosse	AREA, 1, 0-2, 5 MM2	X
9B	41 11 308	Protection en caoutchouc		X
9C	45 88 349	Anneau verrouillage		X
10	41 76 244	Boîtier de connecteur 24-poles, douille	JOINT PIECE MAIN CABLE HARNESS	X
10A	40 61 586	Cosse	AREA, 1, 0-2, 5 MM2	X
10B	43 52 936	Joint		X
10C	40 61 958	Joint	BLIND PLUG, NLS-USE 12798370	X
10C	40 61 966	Joint	1,2-2,0 MM	X
10C	40 61 974	Joint	2,1-2,0 MM	X
11	41 76 186	Boîtier de connecteur 25-poles, douille	US, AMPLIFIER VSS-ALARM	X
11A	91 20 957	Cosse	AREA, 1, 0-2, 5 MM2, NLS-USE 30520560	X
12	45 37 429	Boîtier contact 25-poles, douille	THEFT ALARM	X
12A	91 20 957	Cosse	AREA, 1, 0-2, 5 MM2, NLS-USE 30520560	X



Rep.	N° de pièce	Article	Usage	Qté
1	85 93 915	Boîtier contact 2-poles, douille	THERMO SWITCH	X
1A	85 21 593	Cosse	AREA, 0, 5-1, 5 MM2	X
1B	91 20 668	Cosse	AREA, 0, 75-1, 5 MM2, NLS-USE 30520560	X
1C	85 71 382	Protection		X
2	91 24 157	Boîtier contact 2-poles, douille	LIGHT MIRROR, ACC, MOTOR CENTRAL LOCK COVER FUEL FILLING, SIDE DIRECT INDICATOR, FAN AC EDU II DCC, SPEED CONT- ROL, DOOR FAN, MOTOR ANTENNA, LIGHT CONTROL BELT TENSIONER, JOINT PIECE GEAR INDICATOR	X
2A	91 20 791	Cosse	AREA, 2, 5-4, 0 MM2	X
2B	95 68 775	Isolant	NLS	X
3	95 01 685	Boîtier contact 2-poles, broches	JOINT PIECE, ENGINE COMPARTMENT LIGHT, WARNING LAMP ABS, OIL LEVEL, GEAR INDICATOR	X
3A	78 74 506	Connexion		X
4	95 06 643	Boîtier contact 2-poles, douille	MIXING TEMP ACC	X
4A	85 87 552	Cosse	AREA 0, 5-1, 5 MM2	X
5	85 58 538	Boîtier contact 2-poles, douille	CIGARETTE LIGHTER ELECTRONIC UNIT BELT TENSIONER	X
5A	85 82 454	Cosse	AREA 0, 5-1, 5 MM2	X
5A	71 55 153	Cosse	AREA 0, 8-2, 1 MM2, NLS-USE 8522534	X
6	85 74 949	Boîtier contact 2-poles, douille	SPEED SENSOR	X
6A	85 41 203	Cosse	AREA 0, 5-1, 5 MM2, NLS-USE 8560476	X
7	95 02 998	Boîtier contact 2-poles, broches	EDU II DCC, JOINT PIECE GEAR INDICATOR, SWITCH DOORS, NLS-USE 4069829	X
7A	85 93 089	Cosse	AREA 0, 5-1, 0 MM2	X
7A	71 55 062	Cosse	AREA 0, 8-2, 5 MM2, NLS-USE 8522542	X
7B	95 68 775	Isolant	NLS	X
9	95 19 406	Boîtier contact 2-poles, broches	SENSOR ABS	X
9A	95 19 398	Cosse	AREA, 0, 8-1, 5 MM2	X
9B	85 79 955	Protection		X
10	95 19 422	Boîtier contact 2-poles, douille	PUMP ABS	X
10A	91 20 791	Cosse	AREA, 2, 5-4, 0 MM2	X
10B	85 79 955	Protection		X
11	85 97 064	Boîtier contact 2-poles, douille	IDLE COMPENSATOR	X
11A	91 20 668	Cosse	AREA, 0, 75-1, 5 MM2, NLS-USE 30520560	X
11B	85 71 382	Protection		X

Rep.	N° de pièce	Article	Usage	Qté
12	91 23 548	Boîtier contact 2-poles, douille	SIGNAL, HIGH MOUNTED STOP LIGHT, CONTROL LAMP LIGHT, THEFT ALARM JOINT PIECE	X
12A	91 20 668	Cosse	AREA, 0, 75-1, 5 MM2, NLS-USE 30520560	X



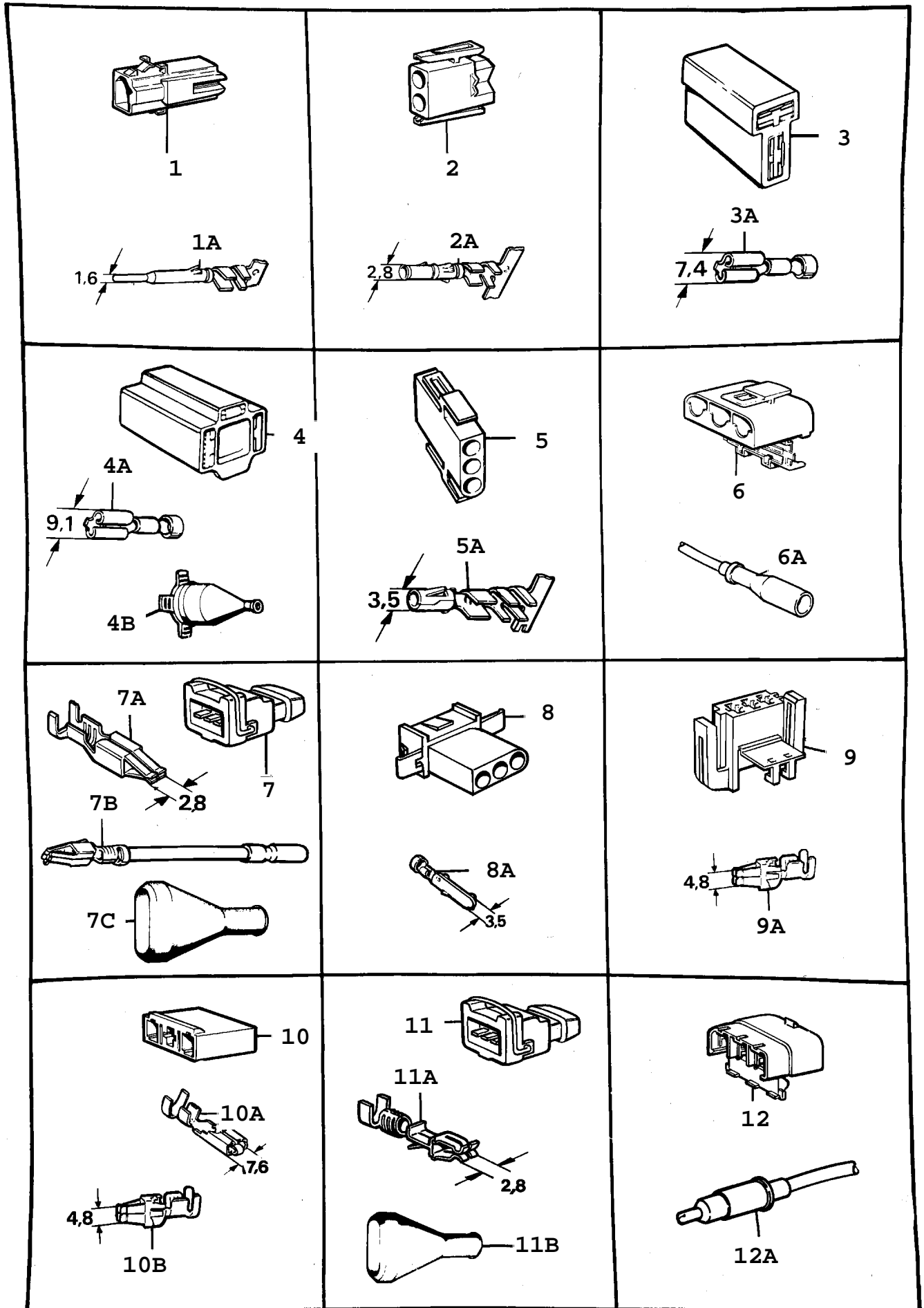
Rep.	N° de pièce	Article	Usage	Qté
1	41 13 411	Boîtier de connecteur 2-poles, douille	JOINT PIECE ABS UNIT	X
1A	43 54 171	Cosse	AREA, 1, 0-2, 5 MM2, NLS-USE 12970428	X
2	41 78 414	Boîtier de connecteur 2-poles, douille	DUMP VALVE, BY-PASS INJECTION VALVE, TEMP SENSOR, COLD START VALVE KNOCK SENSOR, JOINT PIECE PEDAL SENSOR AUXILIARY AIR VALVE THERMO SWITCH, NLS-USE 12790247	X
2A	40 61 586	Cosse	AREA, 1, 0-2, 5 MM2	X
3	71 55 021	Boîtier contact 3-poles, douille	HEADLIGHT	X
3A	85 82 413	Cosse	AREA, 1, 3-3, 4 MM2	X
3B	85 52 721	Protège-câble		X
4	85 64 916	Boîtier contact 3-poles, douille	JOINT PIECE, JOINT PIECE B-PILLAR LH AND RH	X
4A	85 82 595	Cosse	AREA, 0, 5-2, 0 MM2	X
5	95 03 277	Boîtier contact 3-poles, douille	SPEED CONTROL, HEADLIGHT WIPERS, WIPER MOTOR, ABS, FAN, CODING SPEED CONTR- ROL, HEADLIGHT LEVELLING BY-PASS, THEFT ALARM DOOR, PRESSURE MONITOR AC	X
5A	85 47 796	Bloc connexion		X
6	85 93 907	Boîtier contact 3-poles, douille	PRESSURE SENSOR TRIONIC SOLENOID VALVE APC	X
6A	85 21 593	Cosse	AREA, 0, 5-1, 5 MM2	X
6A	91 20 668	Cosse	AREA, 0, 75-1, 5 MM2, NLS-USE 30520560	X
6B	85 22 617	Cosse	AREA, 1, 0-2, 6 MM2	X
6C	85 79 955	Protection		X
7	85 64 924	Boîtier contact 3-poles, broche	NUMBER PLATE LIGHT JOINT PIECE CABLE HAR- NESS DOORS, JOINT PIECE TRUNK LID	X
7A	85 82 603	Cosse	AREA 0, 5-2, 0 MM2	X
7A	85 44 322	Cosse	AREA 2, 0-4, 0 MM2	X
8	91 24 165	Boîtier contact 3-poles, douille	JOINT PIECE, LIGHT ASH TRAY REAR, ELECTRONIC UNIT REOSTAT, CLOCK SPEEDOMETER, REOSTAT JOINT PIECE PASSENGER SEAT, SEAT CONTACT SPEED SENSOR, ELECTRONIC UNIT SPEED WARNING DEVICE	X
8A	91 20 791	Cosse	AREA 2, 5-4, 0 MM2	X
9	95 14 803	Boîtier contact 3-poles, douille	LHD, US, HEADLIGHT	X
9A	91 20 668	Cosse	AREA, 0, 75-1, 5 MM2, NLS-USE 30520560	X
10	95 19 679	Boîtier contact 3-poles, douille	DIRECTION LIGHT, SIDE BACK-UP LIGHT	X
10A	85 47 796	Bloc connexion		X

Rep.	N° de pièce	Article	Usage	Qté
10A	78 74 498	Connexion		X
11	85 93 923	Boîtier contact 3-poles, douille	IDLE COMPENSATOR	X
11A	91 20 668	Cosse	AREA 0, 75-1, 0 MM2, NLS-USE 30520560	X
11A	91 20 957	Cosse	AREA 1, 0-2, 5 MM2, NLS-USE 30520560	X
12	95 03 327	Boîtier contact 3-poles, broche	PRESSURE MONITOR AC R134A	X
12A	85 47 770	Bloc connexion		X

<p>1 1A</p>	<p>2 2A 2B 2,8</p>	<p>3 3A 2,8</p>
<p>4 4A 4B 4C 4D 4E 4F 4G</p>	<p>5 5A 5B 2,8</p>	<p>6 6A</p>
<p>7 7A 7B</p>	<p>8 8A 8B</p>	<p>9 9A 9B 9C 9D 9E 9F 9G 9H</p>

Rep.	N° de pièce	Article	Usage	Qté
1	47 34 455	Capot 30-poles	DIAGNOSTIC UNIT AIR-BAG	X
1A	47 34 471	Verrouillage		X
2	44 34 031	Boîtier contact 35-poles, douille	TCS	X
2A	91 20 957	Cosse	AREA, 1, 0-2, 5 MM2, NLS-USE 30520560	X
3	95 65 045	Boîtier contact 39-poles, douille	ELECTRONIC UNIT ACC, EDU	X
3A	40 63 970	Cosse	AREA, 0, 5-1, 0 MM2	X
3A	91 20 957	Cosse	AREA, 1, 0-2, 5 MM2, NLS-USE 30520560	X
4	45 17 629	Boîtier de connecteur 55-poles, douille	ELECTRONIC UNIT MOTRONIC	X
4A	42 24 630	*Boîtier de connecteur Note: N'est pas une pièce de rechange distincte.		1
4B	42 24 655	*Joint Note: N'est pas une pièce de rechange distincte.		1
4C	45 17 637	*Capot Note: N'est pas une pièce de rechange distincte.		1
4D	45 17 652	*Joint Note: N'est pas une pièce de rechange distincte.		1
4E	85 87 461	Joint		1
4F	42 23 483	Vis		1
4G	42 23 574	Vis		1
4H	91 20 957	Cosse	NLS-USE 30520560	X
5	43 53 637	Boîtier contact 55-poles, douille	ELECTRONIC UNIT ABS WITH TCS	X
5A	40 61 586	Cosse	AREA, 1, 5-2, 5 MM2	X
5B	44 18 380	Capot		X
6	41 76 616	Boîtier de connecteur 70-poles, douille	ELECTRONIC UNIT TRIONIC	X
6A	43 54 353	Cosse	AREA, 0, 5-1, 0 MM2	X
6A	40 61 586	Cosse	AREA, 1, 5-2, 5 MM2	X
7	43 54 692	Boîtier de connecteur 70-poles, douille	JOINT MAIN CABLE HARNESS	X
7	45 35 530	Cosse	AREA, 0, 5-1, 0 MM2	X
7A	45 38 625	Cosse	AREA, 0, 5-1, 0 MM2, NLS-USE 4516043	X
7A	41 15 192	Cosse	AREA, 1, 0-2, 5 MM2	X
7B	43 54 239	Joint gris		X
7B	43 54 239	Joint blanc		X
8	41 76 624	Boîtier de connecteur 70-poles, douille	JOINT ENGINE	X
8A	43 54 353	Cosse	AREA, 0, 5-1, 0 MM2	X
8B	40 61 586	Cosse	AREA, 1, 5-2, 5 MM2	X
9	42 22 451	Boîtier contact 88-poles, douille	ELECTRONIC CONTROL MOTRONIC	X
9A	42 23 558	*Capot Note: N'est pas une pièce de rechange distincte.		1
9B	42 23 541	*Boîtier contact Note: N'est pas une pièce de rechange distincte.		1
9C	42 23 566	*Joint Note: N'est pas une pièce de rechange distincte.		1

Rep.	N° de pièce	Article	Usage	Qté
9D	85 87 461	·Joint		1
9E	42 23 574	·Vis		1
		Note: N'est pas une pièce de rechange distincte.		
9F	42 23 582	·Support câbles		1
		Note: N'est pas une pièce de rechange distincte.		
9G	42 23 590	·Ruban serrage		1
		Note: N'est pas une pièce de rechange distincte.		
9H	91 20 957	Cosse	AREA, 1, 0-2, 5 MM2, NLS-USE 30520560	X

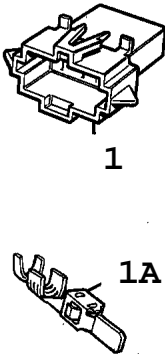
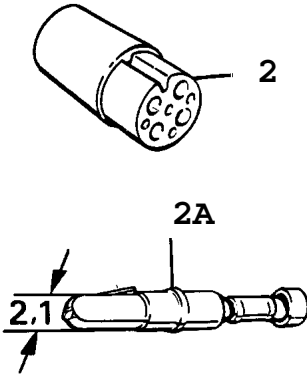
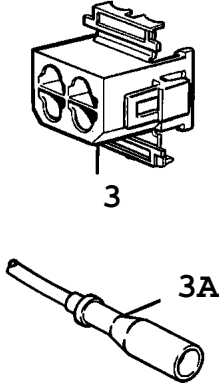
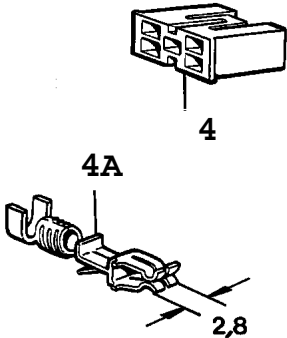
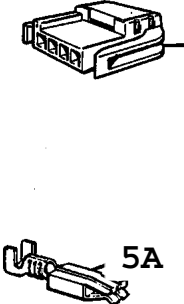
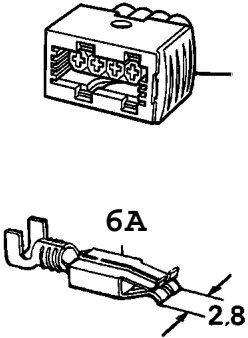
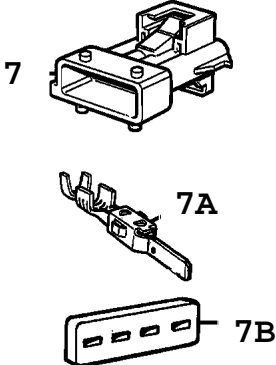
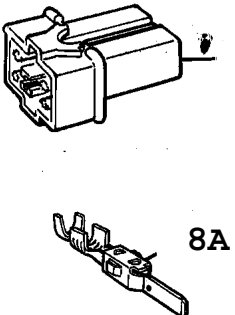
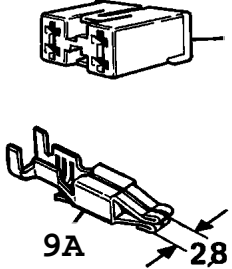
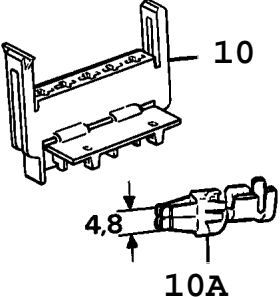
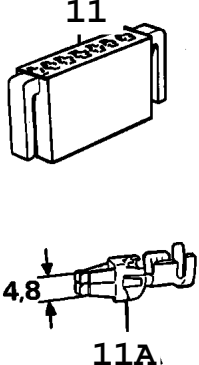
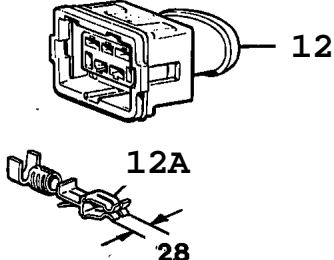


Rep.	N° de pièce	Article	Usage	Qté
1	95 25 080	Boîtier contact 2-poles, broches	INFLATOR AIR-BAG	X
1A	95 26 401	Cosse	AREA, 0, 2-0, 56 MM2	X
2	95 25 809	Boîtier contact 2-poles, douille	INFLATOR AIR-BAG	X
2A	95 25 817	Cosse	AREA, 0, 2-0, 56 MM2	X
3	71 55 096	Boîte connexion 2-poles, douille	SWITCH BRAKE LIGHT	X
3A	79 71 708	Cosse	AREA, 0, 5-1, 5 MM2	X
4	71 55 021	Boîtier contact 3-poles, douille	HEADLIGHT	X
4A	85 82 413	Cosse	AREA, 1, 3-3, 4 MM2	X
4B	85 52 721	Protège-câble		X
5	85 64 916	Boîtier contact 3-poles, douille	JOINT PIECE, JOINT PIECE B-PILLAR LH AND RH	X
5A	85 44 298	Cosse	AREA, 0, 5-2, 0 MM2, NLS-USE 8582595	X
6	95 03 277	Boîtier contact 3-poles, douille	SPEED CONTROL, HEADLIGHT WIPERS, WIPER MOTOR, LEVEL CONTROL, JOINT PIECE, ABS, HEADLIGHT LEVELING, FAN, SENSOR ABS, BY-PASS, THEFT ALARM DOOR	X
6A	78 74 498	Connexion		X
7	85 93 907	Boîtier contact 3-poles, douille	THROTTLE SWITCH, JOINT PIECE DI/APC, PRESSURE SWITCH, DISTRIBUTOR SOLENOID VALVE APC	X
7A	85 21 593	Cosse	AREA, 0, 5-1, 5 MM2	X
7A	91 20 668	Cosse	AREA, 0, 75-1, 5 MM2, NLS-USE 30520560	X
7B	85 22 617	Cosse	AREA, 1, 0-2, 6 MM2	X
7C	85 79 955	Protection		X
8	85 64 924	Boîtier contact 3-poles, broche	JOINT PIECE, NUMBER PLATE LIGHT, JOINT PIECE CABLE HARNESS DOORS JOINT PIECE TRUNK LID	X
8A	85 44 314	Cosse	AREA 0, 5-2, 0 MM2, NLS-USE 8582603	X
8A	85 44 322	Cosse	AREA 2, 0-4, 0 MM2	X
9	91 24 165	Boîtier contact 3-poles, douille	JOINT PIECE, FUEL LEVEL TRANSMITTER, LIGHT ASH TRAY REAR, ELECTRONIC UNIT REOSTAT, CLOCK SPEEDOMETER, REOSTAT JOINT PIECE PASSENGER SEAT	X
9A	91 20 791	Cosse	AREA 2, 5-4, 0 MM2	X
10	95 07 658	Boîtier contact 3-poles, douille	SWITCH INNER LIGHT	X
10A	91 20 775	Cosse	AREA 0, 5-1, 5 MM2	X
10A	85 41 203	Cosse	AREA 0, 5-1, 5 MM2, NLS-USE 8560476	X
10B	91 20 791	Cosse	AREA 2, 5-4, 0 MM2	X

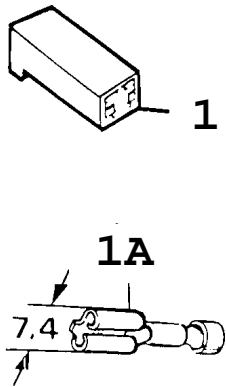
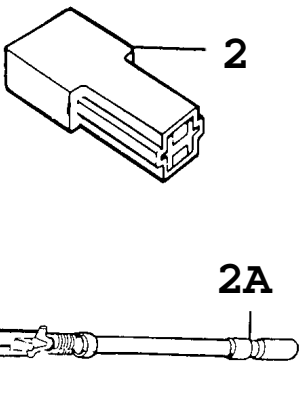
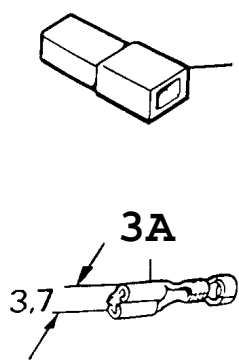
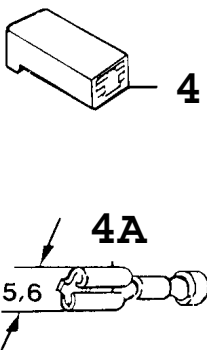
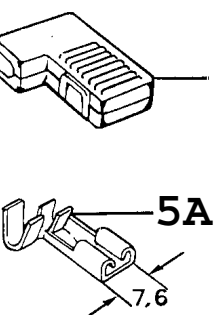
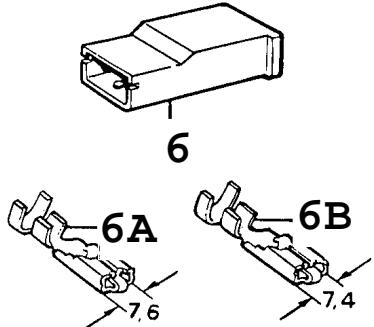
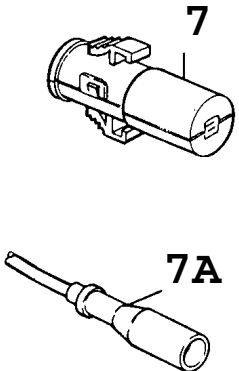
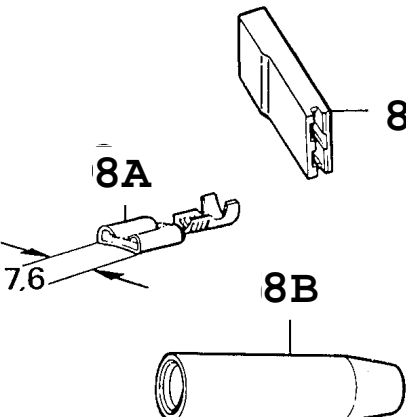
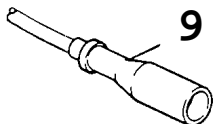
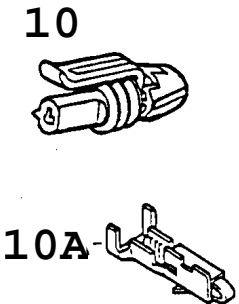
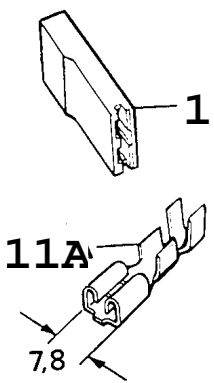
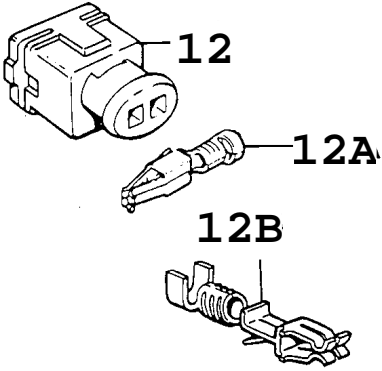
**9000 / 03B Système électrique, boîte de connexion
0880 Conduites et fusibles - Connecteur, etc (1989)**

Liste des pièces détachées EPC

Rep.	N° de pièce	Article	Usage	Qté
11	85 93 923	Boîtier contact 3-poles, douille	IDLE COMPENSATOR	X
11A	91 20 668	Cosse	AREA 0, 75-1, 0 MM2, NLS-USE 30520560	X
11B	85 79 955	Protection		X
12	95 03 327	Boîtier contact 3-poles, douille	JOINT PIECE, JOINT PIECE CABLE HARNESS ENGINE, JOINT PIECE MAIN CABLE HARNESS/ABS	X
12A	78 74 506	Connexion		X

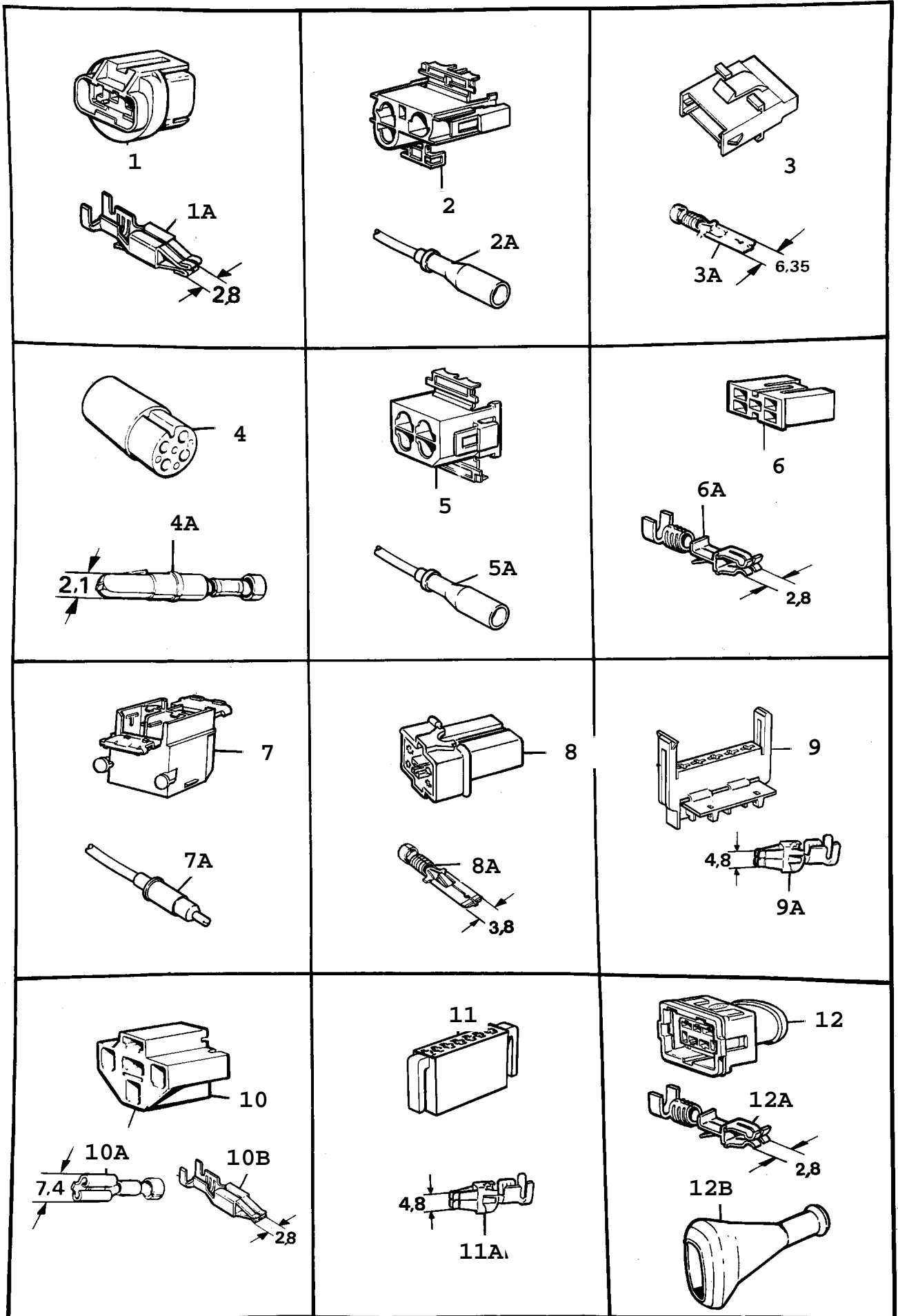
 <p>1 1A</p>	 <p>2 2A 2,1</p>	 <p>3 3A</p>
 <p>4 4A 2,8</p>	 <p>5 5A</p>	 <p>6 6A 2,8</p>
 <p>7 7A 7B</p>	 <p>8 8A</p>	 <p>9 9A 2,8</p>
 <p>10 10A 4,8</p>	 <p>11 11A 4,8</p>	 <p>12 12A 2,8</p>

Rep.	N° de pièce	Article	Usage	Qté
1	41 17 669	Boîtier de connecteur 3-poles, broche	JOINT PIECE MAIN CABLE HARNESS, EL-ADJUSTED SEAT	X
1A	41 15 580	Cosse	AREA, 1, 0-2, 5 MM2	X
2	85 30 099	Boîtier contact 4-poles, broche	ELECTRIC MIRROR	X
2A	85 22 583	Cosse	AREA, 0, 8-3, 4 MM2	X
3	95 03 434	Boîtier contact 4-poles, douille	CONTROL UNIT ACC, JOINT PIECE, PRESSURE SWITCH, FUEL PUMP SENSOR, THEFT ALARM, THERMOSTAT	X
3A	85 47 796	Bloc connexion		X
3A	78 74 498	Connexion		X
4	91 23 555	Boîtier contact 4-poles, douille	FAN INDOOR TEMP, JOINT PIECE MAIN CABLE HAR- NESS/APC, LUGGAGE COM- PARTMENT LOCK, PHONE SWITCH WARNING FLASHER REAR WIPER, TAIL LAMP	X
4A	95 08 714	Cosse	AREA, 0, 3-0, 6 MM2, NLS-USE 30520560	X
5	40 60 869	Boîtier contact 4-poles, douille	SUN SENSOR	X
5A	40 63 970	Cosse	AREA, 0, 5-1, 0 MM2	X
5A	91 21 088	Cosse	AREA, 0, 2-0, 5 MM2	X
6	41 13 601	Boîtier de connecteur 4-poles, douille	CS, HEAD LIGHT LAMBDA SONDE, SENSOR AIR-BAG	X
6A	43 50 526	Cosse	AREA, 0, 5-1, 0 MM2	X
7	41 13 650	Boîtier de connecteur 4-poles, broche	CRANK SHAFT SENSOR	X
7A	41 15 192	Cosse	AREA, 1, 0-2, 5 MM2	X
7B	41 13 759	Joint		X
8	41 17 263	Boîtier de connecteur 4-poles, broche	JOINT PIECE MAIN CABLE HARNESS	X
8A	41 15 077	Cosse	AREA, 1, 0-2, 5 MM2, NLS-USE 12789934	X
9	40 61 503	Boîtier contact 4-poles, douille	CONTACT PARKING PAWL	X
9A	91 20 957	Cosse	AREA, 1, 0-2, 5 MM2, NLS-USE 30520560	X
10	91 22 789	Boîtier contact 5-poles, douille	RESISTOR HEATING FAN	X
10A	91 20 791	Cosse	AREA, 2, 5-4, 0 MM2	X
11	91 24 173	Boîtier contact 5-poles, douille	GEAR INDICATOR, JOINT PIECE, GEAR INDICATOR STARTER INHIBITOR	X
11A	91 20 791	Cosse	AREA, 2, 5-4, 0 MM2	X
12	44 32 365	Boîtier de connecteur 5-poles, douille	ETS	X
12A	91 20 957	Cosse	AREA, 1, 0-2, 5 MM2, NLS-USE 30520560	X

 <p>1</p> <p>1A</p> <p>7.4</p>	 <p>2</p> <p>2A</p> <p>6.35</p> <p>3.5</p>	 <p>3</p> <p>3A</p> <p>3.7</p>
 <p>4</p> <p>4A</p> <p>5.6</p>	 <p>5</p> <p>5A</p> <p>7.6</p>	 <p>6</p> <p>6A</p> <p>6B</p> <p>7.6</p> <p>7.4</p>
 <p>7</p> <p>7A</p>	 <p>8</p> <p>8A</p> <p>8B</p> <p>7.6</p>	 <p>9</p>
 <p>10</p> <p>10A</p>	 <p>11</p> <p>11A</p> <p>7.8</p>	 <p>12</p> <p>12A</p> <p>12B</p>

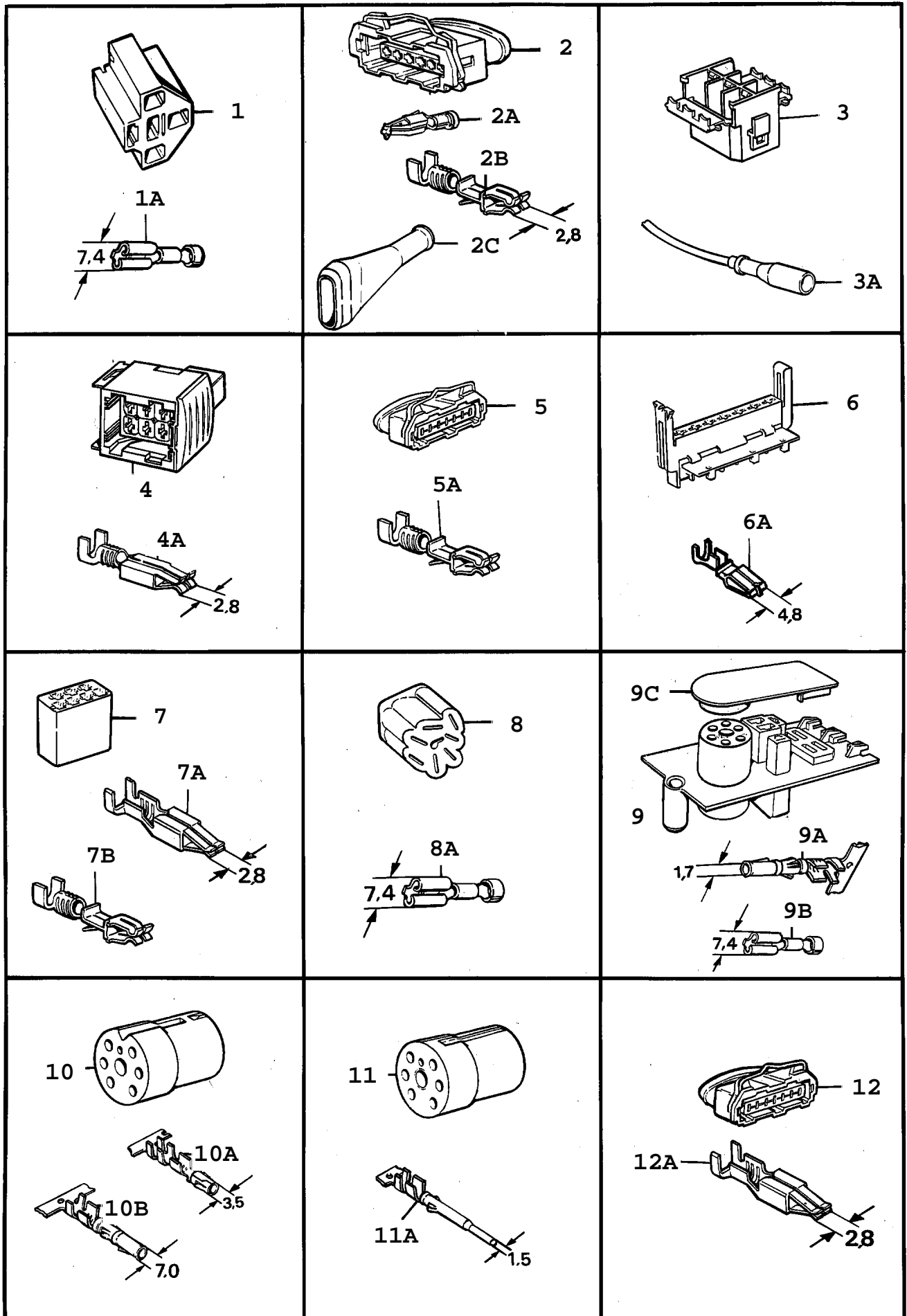
F8549 CAC94

Rep.	N° de pièce	Article	Usage	Qté
1	71 55 112	Boîtier contact 1-poles, douille	IGNITION PULS, LIGHT GEAR INDICATOR, STOP LIGHT	X
1A	79 71 708	Cosse	AREA, 0, 5-1, 5 MM2	X
2	71 55 120	Boîtier contact 1-poles, broche	EL-MIRROR, EL-CENTRAL THEFTX ALARM	
2A	85 22 542	Cosse	AREA, 1, 0-2, 6 MM2	X
3	85 30 115	Boîtier contact 1-poles, broche	LOUDSPEAKER	X
3A	85 30 107	Cosse	AREA, 0, 5-1, 0 MM2	X
4	85 33 184	Boîtier contact 1-poles, broche	LOUDSPEAKER	X
4A	85 82 439	Cosse	AREA, 0, 5-1, 5 MM2	X
5	85 21 692	Boîtier contact 1-poles, douille	REAR DEMIST, GROUND LIGHT INSTEP	X
5A	85 22 526	Cosse	AREA, 1, 0-2, 5 MM2	X
6	85 41 229	Douille d'isolation 1-poles, broche	LIGHT INSTEP, LIGHT NUM- BER X PLATE, READING LAMP, SEAT BELT WARNING SWITCH SPOT LIGHT CONTACT LIGHT, LIGHT GLOVE BOX	X
6A	85 41 203	Cosse	AREA, 0, 5-1, 5 MM2, NLS-USE 8560476	X
6B	85 60 476	Cosse	AREA, 0, 9-2, 0 MM2	X
7	95 03 418	Boîte connexion 1-poles, douille	COMPRESSOR	X
7A	85 47 796	Bloc connexion		X
8	85 16 916	Isolant 1-poles, douille	THERMO CONTACT, LIGHT ASH TRAY, HORN, LIGHT LUGGAGE COMPARTMENT SWITCH HAND BRAKE JOINT, JOINT PIECE REAR DOOR, ANTI THEFT ALARM	X
8A	85 14 036	Cosse	AREA, 1, 5-2, 5 MM2	X
8B	95 69 997	Protection		X
9	85 47 804	Bloc connexion	DIRECTION INDICATOR	X
10	42 03 378	Boîtier de connecteur 1-poles, douille	OIL MONITOR	X
10A	44 18 505	Cosse	AREA 0, 5-1, 0 MM2	X
11	83 78 630	Boîtier contact 2-poles, douille	PEDAL CONTACT SPEED CONTROL	X
11A	85 22 575	Câblage	AREA, 0, 5-1, 4 MM2	X
12	85 93 899	Boîtier contact 2-poles, douille	AUXILIARY AIR VALVE FUEL SYSTEM, VENTILATION	X
12A	85 21 593	Cosse	AREA, 0, 5-1, 5 MM2	X
12B	91 20 668	Cosse	AREA, 0, 75-1, 5 MM2, NLS-USE 30520560	X



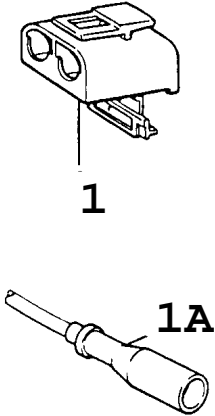
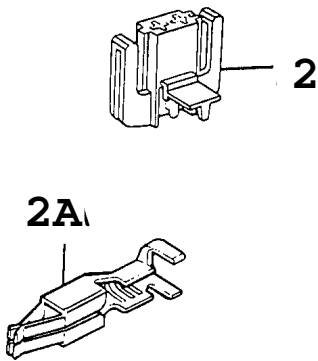
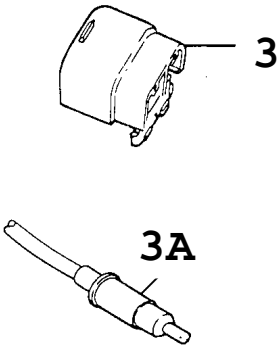
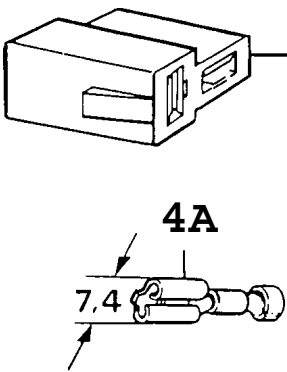
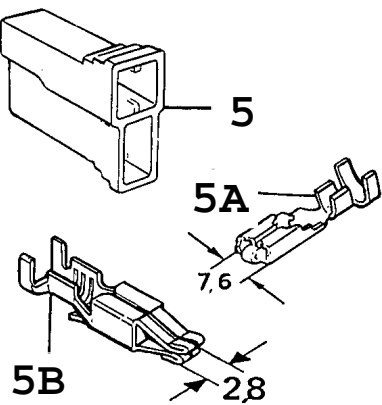
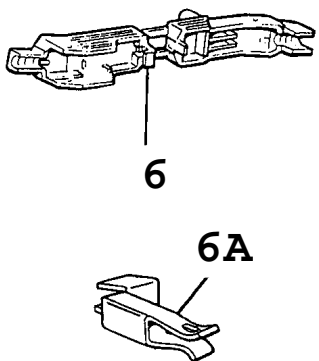
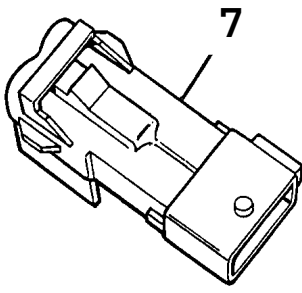
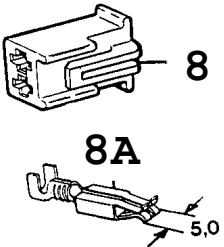
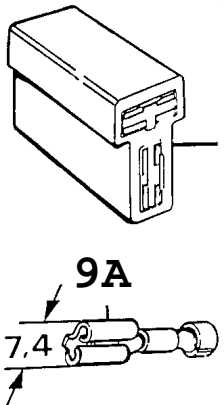
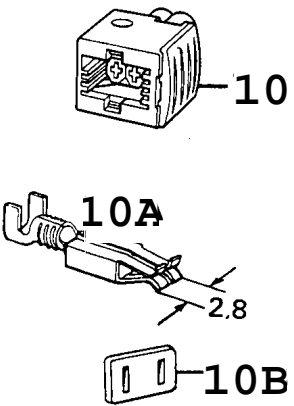
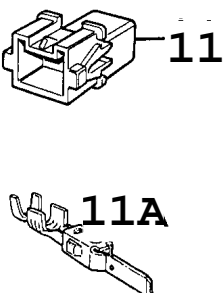
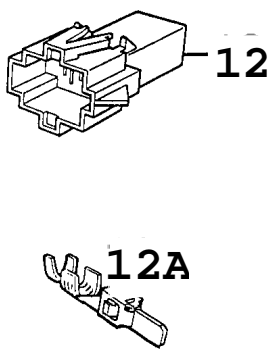
Rep.	N° de pièce	Article	Usage	Qté
1	95 14 803	Boîtier contact 3-poles, douille	LHD, US, HEADLIGHT	X
1A	91 20 668	Cosse	AREA, 0, 75-1, 5 MM2, NLS-USE 30520560	X
2	95 19 679	Boîtier contact 3-poles, douille	DIRECTION LIGHT, SIDE BACK-UP LIGHT	X
2A	78 74 498	Connexion		X
3	95 03 012	Boîtier contact 3-poles, broche	JOINT PIECE SAAB DI/APC EL-ADJUSTED CHAIR, NLS	X
3A	85 93 089	Cosse	AREA, 0, 5-1, 0 MM2	X
3A	71 55 062	Cosse	AREA, 0, 8-2, 5 MM2, NLS-USE 8522542	X
4	85 30 099	Boîtier contact 4-poles, douille	ELECTRIC MIRROR	X
4A	85 22 583	Cosse	AREA, 0, 8-3, 4 MM2	X
5	95 03 434	Boîtier contact 4-poles, douille	CONTROL UNIT ACC, JOINT PIECE, PRESSURE SWITCH, JOINT PIECE CABLE HAR- NESS ENGINE, IGNITION CASSETTE, CRANKSHAFT POSITION SENSOR, JOINT PIECE MAIN CABLE HARNESS THERMOSTAT	X
5A	78 74 498	Connexion		X
6	91 23 555	Boîtier contact 4-poles, douille	FAN INDOOR TEMP, JOINT PIECE MAIN CABLE HAR- NESS/APC	X
6A	95 08 714	Cosse	AREA, 0, 3-0, 6 MM2, NLS-USE 30520560	X
6A	91 20 668	Cosse	AREA, 0, 75-1, 5 MM2, NLS-USE 30520560	X
7	95 03 442	Boîtier contact 4-poles, broche	JOINT PIECE CABLE HAR- NESS ENGINE, IGNITION CASSETTE	X
7A	78 74 506	Connexion		X
8	95 18 739	Boîtier contact 4-poles, broche	JOINT PIECE	X
8A	95 52 100	Cosse	AREA, 0, 75-1, 5 MM2	X
9	91 22 789	Boîtier contact 5-poles, douille	RESISTOR HEATING FAN	X
9A	91 20 791	Cosse	AREA, 2, 5-4, 0 MM2	X
10	85 33 697	Boîtier contact 5-poles, douille	RELAY WINDOW REGULATOR	X
10A	79 71 708	Cosse	AREA, 0, 5-1, 5 MM2	X
10A	79 72 029	Cosse	AREA, 1, 0-2, 5 MM2, NLS-USE 8522534	X
10A	79 68 068	Cosse	AREA, 4, 0-6, 0 MM2	X
10B	91 20 775	Cosse	AREA, 0, 5-1, 0 MM2	X
11	91 24 173	Boîtier contact 5-poles, douille	GEAR INDICATOR, JOINT PIECE, GEAR INDICATOR STARTER INHIBITOR	X
11A	91 20 791	Cosse	AREA, 2, 5-4, 0 MM2	X
12	95 19 414	Boîtier contact 5-poles, douille	SENSOR ABS	X

Rep.	N° de pièce	Article	Usage	Qté
12A	91 20 668	Cosse	AREA, 0, 75-1, 5 MM2, NLS-USE 30520560	X
12B	85 79 955	Protection	AREA, 1, 0-2, 5 MM2	X



Rep.	N° de pièce	Article	Usage	Qté
1	85 33 697	Boîtier contact 5-poles, douille	RELAY EXHAUST TEMP WASHERX PUMP REAR WIPER, RELAY LAMBDA, SWITCH PARKING PAWL	
1A	85 82 454	Cosse	AREA, 0, 5-1, 5 MM2	X
2	85 93 931	Boîtier contact 6-poles, douille	AIR MASS METER LH	X
2A	85 21 593	Cosse	AREA, 0, 5-1, 5 MM2	X
2B	91 20 668	Cosse	AREA, 0, 75-1, 5 MM2, NLS-USE 30520560	X
2C	85 82 082	Protection		X
3	95 03 475	Boîtier contact 6-poles, douille	JOINT PIECE	X
3A	85 47 796	Bloc connexion		X
3A	78 74 498	Connexion		X
4	41 13 809	Boîtier de connecteur 6-poles, douille	WASHER MOTOR, CENTRAL LOCK, JOINT PIECE BOOT LID, REAR LOUD SPEAKER JOINT PIECE ENGINE TRIONIC, NLS-USE 12788966	X
4A	40 61 586	Cosse	AREA, 1, 0-2, 5 MM2	X
5	85 93 949	Boîtier contact 7-poles, douille	VALVE, OUTPOT STAGE	X
5A	91 20 668	Cosse	AREA, 0, 75-1, 5 MM2, NLS-USE 30520560	X
6	91 22 797	Boîtier contact 7-poles, douille	THEFT ALARM, SWITCH DIRECTION INDICATOR, SWITCH SPEED CONTROL TAIL LIGHT, SWITCH FLASHER, REAR WIPER	X
6A	91 20 791	Cosse	AREA, 2, 5-4, 0 MM2	X
7	91 23 381	Boîtier contact 7-poles, douille	SWITCH ELECTRIC MIRROR	X
7A	85 21 593	Cosse	AREA, 0, 5-1, 5 MM2	X
7A	91 20 957	Cosse	AREA, 1, 0-2, 5 MM2, NLS-USE 30520560	X
7B	91 20 668	Cosse	AREA, 0, 75-1, 5 MM2, NLS-USE 30520560	X
8	95 03 251	Boîtier contact 7-poles, douille	HEATING FAN	X
8A	79 72 029	Cosse	AREA, 1, 0-2, 5 MM2, NLS-USE 8522534	X
8A	79 68 068	Cosse	AREA, 4, 0-6, 0 MM2	X
9	95 12 591	Contact 7-poles, douille	TEST CONNECTOR	X
9A	85 87 552	Cosse	AREA, 0, 5-1, 5 MM2	X
9A	85 87 560	Cosse	AREA, 1, 0-2, 5 MM2	X
9B	85 82 454	Cosse	AREA, 0, 5-1, 5 MM2	X
9C	95 20 974	Couvercle		X
10	85 21 700	Contact 7-poles, douille	JOINT PIECE, JOINT PIECE REAR DOOR	X
10A	85 82 595	Cosse	AREA, 0, 5-2, 0 MM2	X
10B	85 87 552	Cosse	AREA, 0, 5-1, 5 MM2	X
11	85 21 718	Boîtier contact 7-poles, broche	JOINT PIECE CABLE HAR- NESS DOORS	X

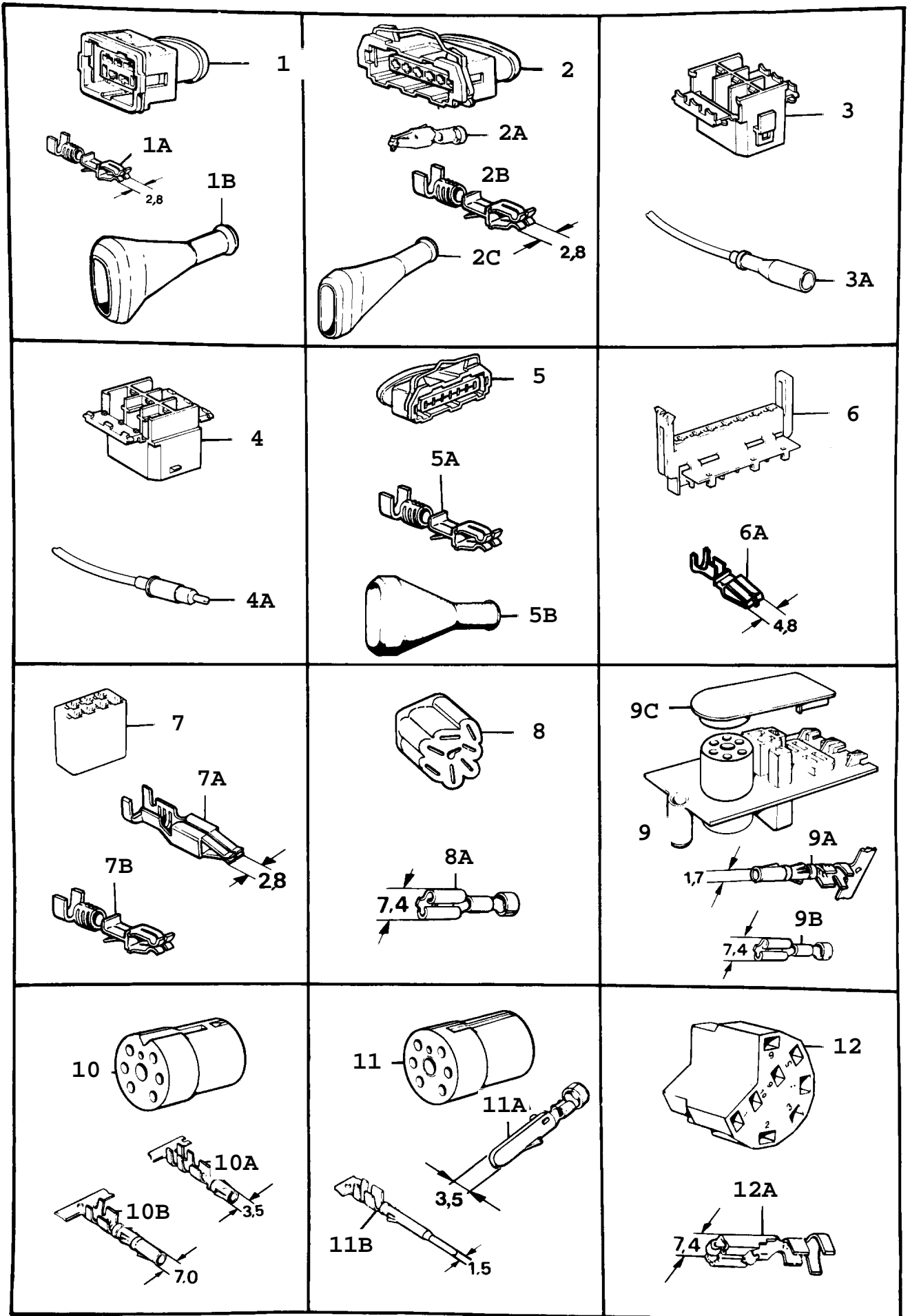
Rep.	N° de pièce	Article	Usage	Qté
11A	85 82 603	Cosse	AREA, 0, 5-2, 0 MM2	X
11B	85 93 964	Cosse	AREA, 0, 5-1, 5 MM2	X
12	43 54 833	Boîtier de connecteur 7-poles, douille	SETTING MOTOR, SETTING MOTOR ASR, POWER AMPLI- FIER	X
12A	40 61 586	Cosse	AREA, 1, 0-2, 5 MM2	X

 <p>1 1A</p>	 <p>2 2A</p>	 <p>3 3A</p>
 <p>4 4A 7.4</p>	 <p>5 5A 7.6 2.8 5B</p>	 <p>6 6A</p>
 <p>7</p>	 <p>8 8A 5.0</p>	 <p>9 9A 7.4</p>
 <p>10 10A 2.8 10B</p>	 <p>11 11A</p>	 <p>12 12A</p>

F8550 CAC94

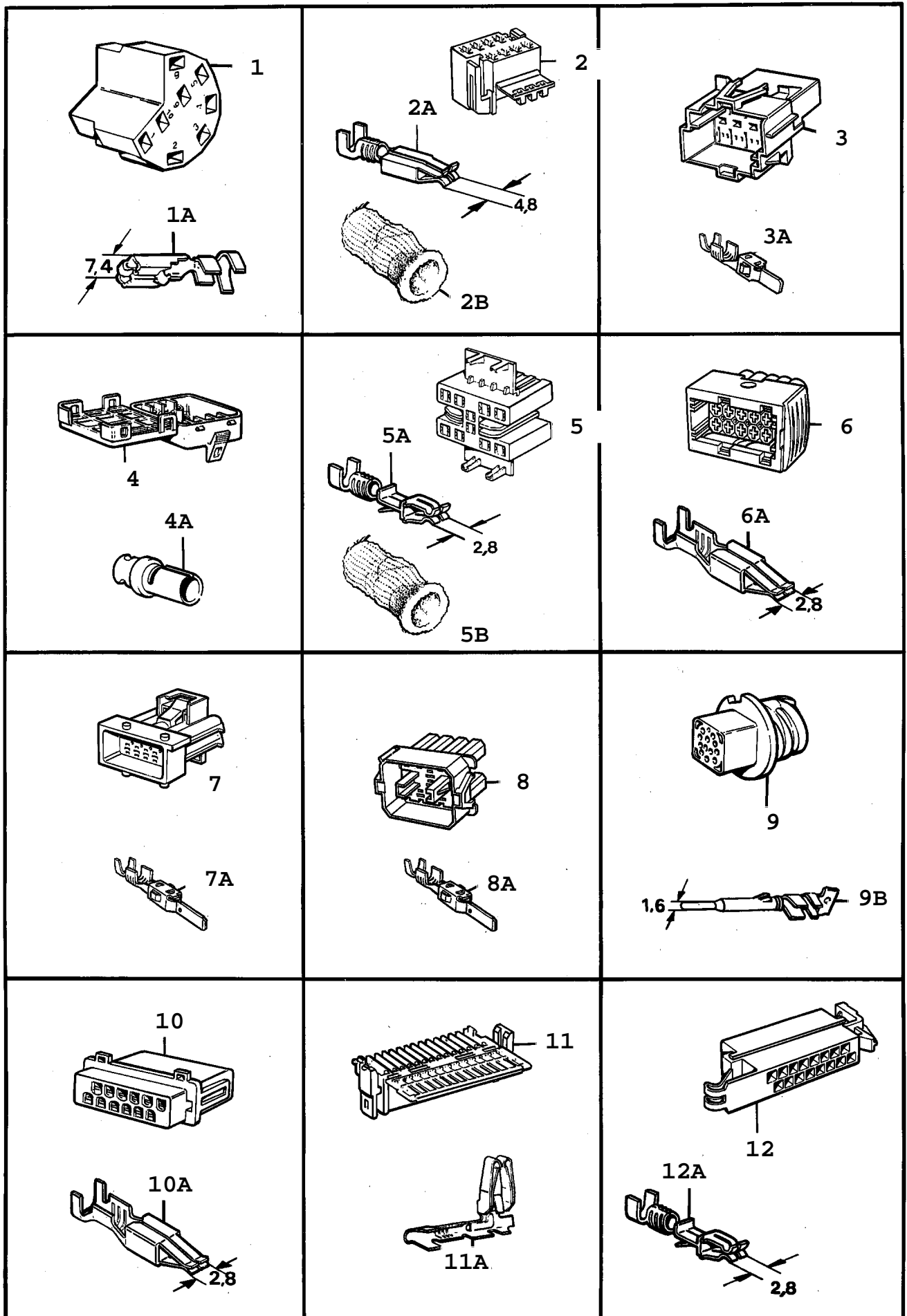
Rep.	N° de pièce	Article	Usage	Qté
1	95 03 319	Boîtier contact 2-poles, douille	EL. WINDOW REGULATOR STD FAN, LEVEL GUARD RADIATOR, LEVEL SWITCH WASHER MOTOR, FAN AC FOG LIGHT, JOINT PIECE OUTER TEMP, DAY DRIVING LIGHT, MICRO SWITCH, FOG LIGHT EXTRA, ABS, DOOR FAN, BY-PASS, TRUNK LID JOINT PIECE, TROTTEL SENSOR	X
1A	85 47 796	Bloc connexion		X
2	91 24 157	Boîtier contact 2-poles, douille	LIGHT MIRROR, ACC, LIGHT CONTROLS, FAN AC, JOINT TRUNK LID, CENTRAL LOCK TANK HATCH, DOME LAMP SUN ROOF, JOIN PIECE REAR HARNESS, RADIO	X
2A	91 20 783	Cosse	AREA, 1, 0-2, 5 MM2	X
2A	91 20 791	Cosse	AREA, 2, 5-4, 0 MM2	X
3	95 01 685	Boîtier contact 2-poles, broches	SWITCH LUGGAGE COMPART- MENT LOCK	X
3A	85 47 770	Bloc connexion		X
4	85 58 538	Boîtier contact 2-poles, douille	CIGARETTE LIGHTER	X
4A	85 22 534	Cosse	AREA 0, 8-2, 1 MM2	X
5	85 74 949	Boîtier contact 2-poles, douille	SPEED SENSOR	X
5A	85 60 476	Cosse	AREA 0, 9-2, 0 MM2	X
5B	91 20 957	Cosse	AREA 1, 0-2, 5 MM2, NLS-USE 30520560	X
7	41 13 452	Boîtier de connecteur 2-poles, broches	ABS UNIT MK4, NLS-USE 12788987	X
8	91 23 548	Boîtier contact 2-poles, douille	THEFT ALARM, FOG LIGHT LOUD SPEAKER, BY-PASS, DOOR SWITCH, SOLENOID IGNITION LOCK, CODING EXTRA LIGHTS, GLOVE COMPARTMENT LAMP, SHIFT LOCK, JOIN PIECE MAIN CABLE HARNESS	X
8A	91 20 668	Cosse	AREA, 0, 75-1, 5 MM2, NLS-USE 30520560	X
9	71 55 096	Boîte connexion 2-poles, broches	SWITCH BRAKE LIGHT	X
9A	79 71 708	Cosse	AREA, 0, 5-1, 5 MM2	X
10	41 13 205	Boîtier de connecteur 2-poles, douille	LHD, US, JOINT PIECE ABS UNIT SPEED SENSOR, VACUM PUMP ABS, HORN, KNOCK SENSOR, TEMP SENSOR TEMP SENSOR COOLANT THEFT ALARM PRESSURE MONITOR AC, NLS-USE 12788933	X
10A	40 61 586	Cosse	AREA, 1, 0-2, 5 MM2	X
10B	41 14 310	Joint		X

Rep.	N° de pièce	Article	Usage	Qté
11	41 17 164	Boîtier de connecteur 2-poles, broches	SIDE INDICATOR LAMP JOINT PIECE MAIN CABLE HARNESS,	X
11A	41 15 077	Cosse	JOINT PIECE TEMP SENSOR AREA, 1, 0-2, 5 MM2, NLS-USE 12789934	X
12	41 17 560	Boîtier de connecteur 2-poles, broches	JOINT PIECE MAIN CABLE HARNESS	X
12A	41 15 580	Cosse	AREA, 1, 0-2, 5 MM2	X



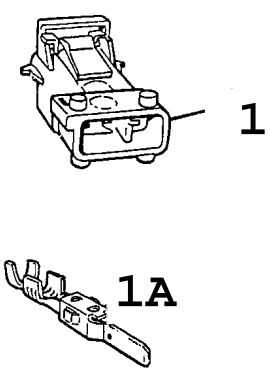
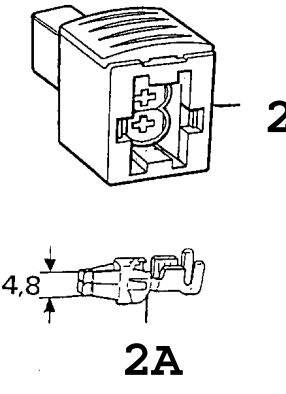
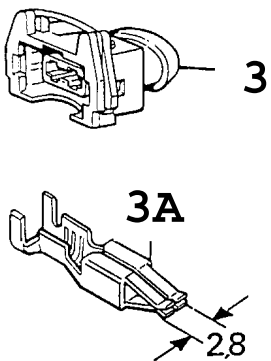
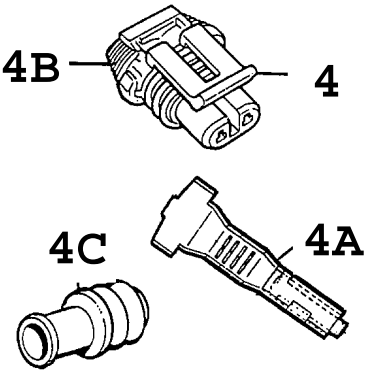
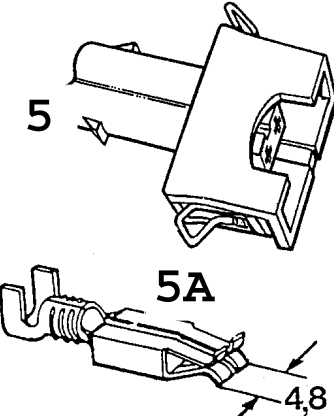
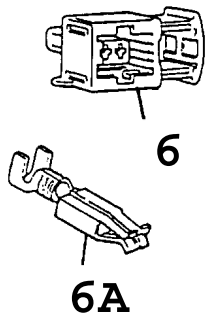
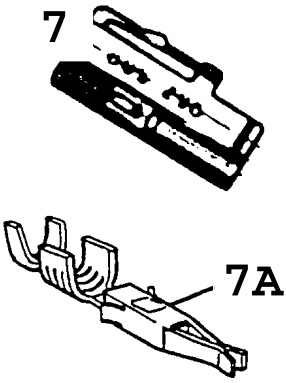
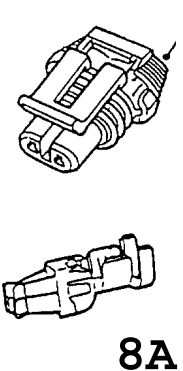
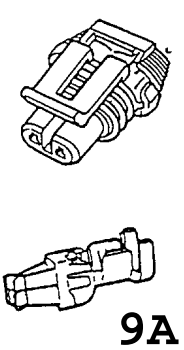
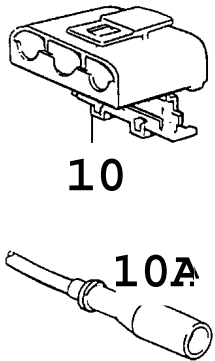
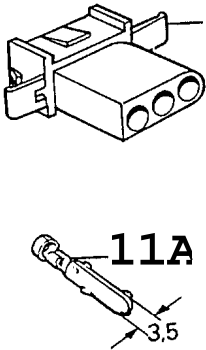
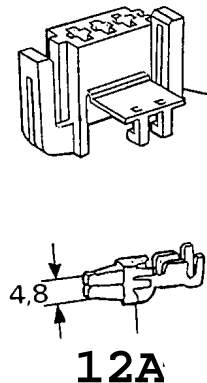
Rep.	N° de pièce	Article	Usage	Qté
1	95 19 455	Boîtier contact 5-poles, douille	LEVEL ABS	X
1A	91 20 668	Cosse	AREA, 0, 75-1, 5 MM2, NLS-USE 30520560	X
1B	95 19 430	Protection		X
2	85 93 931	Boîtier contact 6-poles, douille	AIR MESS METER LH	X
2A	85 21 593	Cosse	AREA, 0, 5-1, 5 MM2	X
2B	91 20 668	Cosse	AREA, 0, 75-1, 5 MM2, NLS-USE 30520560	X
2C	85 82 082	Protection		X
3	95 03 475	Boîtier contact 6-poles, douille	JOINT PIECE, JOINT PIECE CABLE HARNESS ENGINE	X
3A	78 74 498	Connexion		X
4	95 06 668	Boîtier contact 6-poles, broche	JOINT PIECE, JOINT PIECE CABLE HARNESS ENGINE	X
4A	78 74 506	Connexion		X
5	85 93 949	Boîtier contact 7-poles, douille	POWER STAGE, VALVE OUTPUT STAGE, VALVE ABS,	X
5A	91 20 668	Cosse	AREA, 0, 75-1, 5 MM2, NLS-USE 30520560	X
5B	85 74 048	Protection	NLS	X
6	91 22 797	Boîtier contact 7-poles, douille	THEFT ALARM, SWITCH DIRECTION INDICATOR, SWITCH SPEED CONTROL TAIL LIGHT, SWITCH FLASHER	X
6A	91 20 791	Cosse	AREA, 2, 5-4, 0 MM2	X
7	91 23 381	Boîtier contact 7-poles, douille	SWITCH ELECTRIC MIRROR	X
7A	85 21 593	Cosse	AREA, 0, 5-1, 5 MM2	X
7B	91 20 668	Cosse	AREA, 0, 75-1, 5 MM2, NLS-USE 30520560	X
8	95 03 251	Boîtier contact 7-poles, douille	HEATING FAN	X
8A	79 72 029	Cosse	AREA, 1, 0-2, 5 MM2, NLS-USE 8522534	X
9	95 12 591	Contact 7-poles, douille	TEST CONNECTOR	X
9A	85 87 552	Cosse	AREA, 0, 5-1, 5 MM2	X
9A	85 87 560	Cosse	AREA, 1, 0-2, 5 MM2	X
9B	85 82 454	Cosse	AREA, 0, 5-1, 05MM2	X
9C	95 20 974	Couvercle		X
10	85 21 700	Contact 7-poles, douille	JOINT PIECE, JOINT PIECE REAR DOOR	X
10A	85 44 298	Cosse	AREA, 0, 5-2, 0 MM2, NLS-USE 8582595	X
10B	85 87 552	Cosse	AREA, 0, 5-1, 5 MM2	X
11	85 21 718	Boîtier contact 7-poles, broche	JOINT PIECE, JOINT PIECE CABLE HARNESS DOORS	X
11A	85 44 314	Cosse	AREA, 0, 5-2, 0 MM2, NLS-USE 8582603	X
11B	85 93 964	Cosse	AREA, 0, 5-1, 5 MM2	X

Rep.	N° de pièce	Article	Usage	Qté
12	85 44 363	Boîtier contact 8-poles, douille	SWITCH REAR FOGLIGHT	X
12A	85 41 203	Cosse	AREA, 0, 5-1, 5 MM2, NLS-USE 8560476	X
12A	85 41 211	Cosse	AREA, 2, 5-4, 0 MM2	X



Rep.	N° de pièce	Article	Usage	Qté
1	85 44 363	Boîtier contact 8-poles, douille	SWITCH LIGHT	X
1A	85 60 476	Cosse	AREA, 0, 9-2, 0 MM2	X
1A	85 41 211	Cosse	AREA, 2, 5-4, 0 MM2	X
2	91 24 090	Boîtier contact 8-poles, douille	SWITCH REAR DEMIST, DCC SWITCH SUN ROOF REGULA- TOR, TOW HOOK, TRUNK LID SWITCH CENTRAL LOCK ON/OFF, JOINT PIECE CABLE HARNESS ROOF	X
2A	91 20 791	Cosse	AREA, 2, 5-4, 0 MM2	X
2B	95 68 775	Isolant	NLS	X
3	41 17 768	Boîtier de connecteur 8-poles, broche	HEATING PAD, JOINT PIECE MAIN CABLE HAR- NESS	X
3A	41 15 580	Cosse	AREA, 1, 0-2, 5 MM2	X
4	95 12 930	Boîtier contact 9-poles, douille	LOCK STEERING COLUMN	X
4A	95 09 746	Cosse	AREA, 0, 5-1, 5 MM2	X
5	91 23 399	Boîte connexion 10-poles, douille	SWITCH AC, RECIRKULATION AC, RADIO, FOG LIGHT EXTRA, REOSTAT ELPAD HEADLIGHT LEVELLING TEST CONNECTOR AIR-BAG JOINT PIECE, REOSTAT LIGHT INSTEP, BOOT LID JOINT PIECE REAR CABLE HARNESS, JOINT PIECE COOLING FAN REAR AC	X
5A	91 20 668	Cosse	AREA, 0, 75-1, 5 MM2, NLS-USE 30520560	X
5A	91 20 957	Cosse	AREA, 1, 0-2, 5 MM2, NLS-USE 30520560	X
5B	95 68 775	Isolant	NLS	X
6	41 14 005	Boîtier de connecteur 10-poles, douille	ABS, JOINT PIECE CABLE HARNESS FRONT, JOINT PIECE ENGINE BULB CONTROL, JOINT PIECE MAIN CABLE HAR- NESS, DI-CASSETTE	X
6A	40 61 586	Cosse	AREA, 1, 0-2, 5 MM2	X
7	41 14 054	Boîtier de connecteur 10-poles, broche	JOINT PIECE MAIN CABLE HARNESS, JOINT PIECE ENGINE	X
7A	41 15 192	Cosse	AREA, 1, 0-2, 5 MM2	X
8	41 17 461	Boîte connexion 10-poles, broche	DIAGNOS ENGINE, JOINT PIECE CABLE HARNESS ROOF, RADIO, DIAGNOS CAR, JOINTNT PIECE REAR AC, JOINT PIECE MAIN CABLE HARNESS	X
8A	41 15 077	Cosse	AREA, 1, 0 2, 5 MM2, NLS-USE 12789934	X
8A	41 15 085	Cosse	AREA, 1, 0 2, 5 MM2	X
9	95 29 512	Boîtier contact 12-poles, broche	JOINT PIECE MAIN CABLE HARNESS/AIR-BAG	X
9A	95 26 401	Cosse	AREA, 0, 2-0, 56 MM2	X
10	95 25 031	Boîtier contact 12-poles, douille	CONTROL UNIT ACC, ELECT- RONIC UNIT CENTRAL LOCK	X

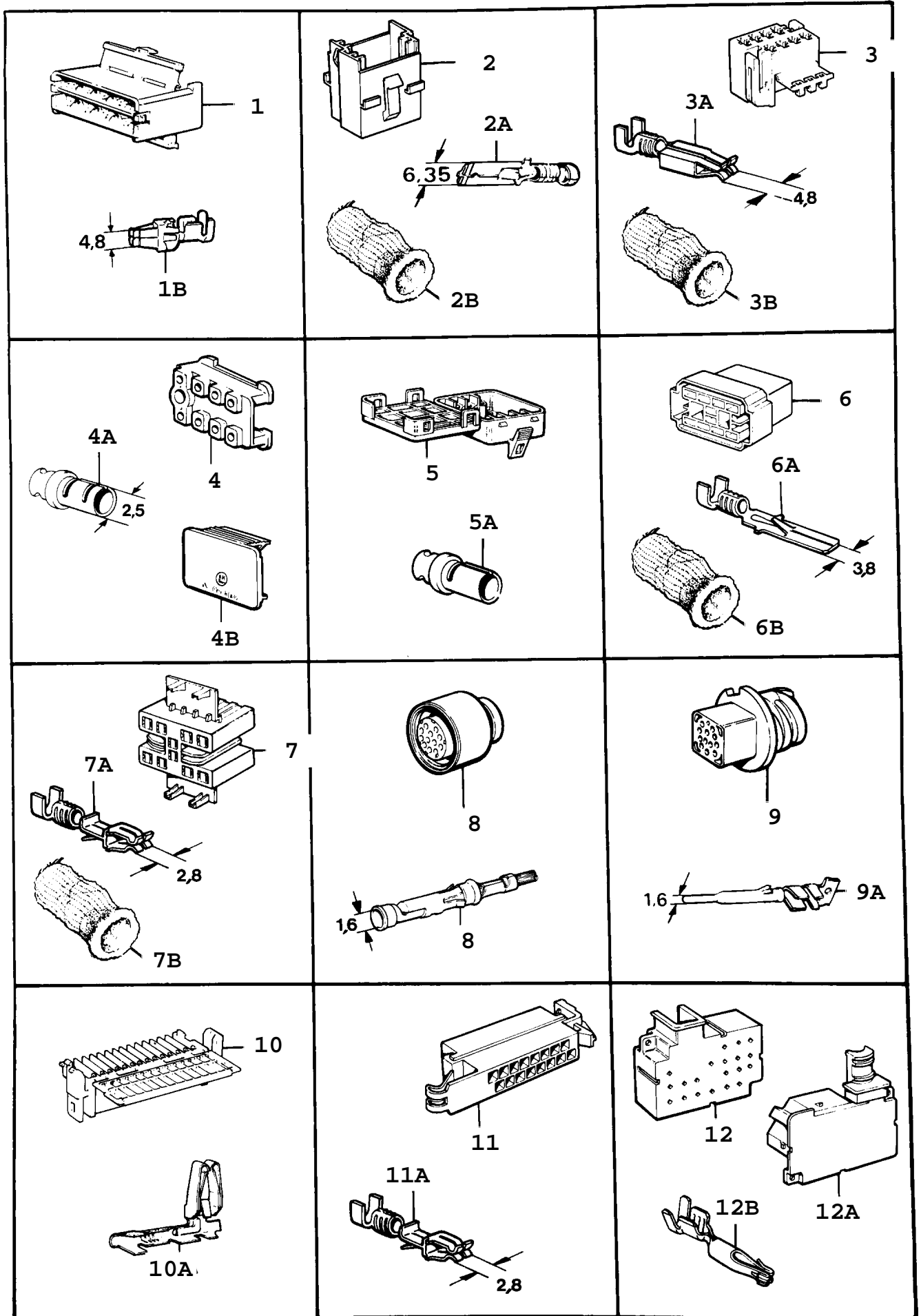
Rep.	N° de pièce	Article	Usage	Qté
10A	91 20 957	Cosse	AREA, 1, 0-2, 5 MM2, NLS-USE 30520560	X
11	95 03 020	Boîtier contact 14-poles, douille	INSTRUMENTS	X
11A	95 05 397	Cosse	AREA, 1, 5-2, 5 MM2	X
12	95 66 282	Boîtier contact 16-poles, douille	ELECTRONIC UNIT THEFT ALARM, EAS WITH MEMORY	X
12A	91 20 668	Cosse	AREA, 0, 75-1, 5 MM2, NLS-USE 30520560	X
12A	91 20 957	Cosse	AREA, 1, 0-2, 5 MM2, NLS-USE 30520560	X

 <p>1</p> <p>1A</p>	 <p>2</p> <p>4,8</p> <p>2A</p>	 <p>3</p> <p>3A</p> <p>2,8</p>
 <p>4B</p> <p>4</p> <p>4C</p> <p>4A</p>	 <p>5</p> <p>5A</p> <p>4,8</p>	 <p>6</p> <p>6A</p>
 <p>7</p> <p>7A</p>	 <p>8</p> <p>8A</p>	 <p>9</p> <p>9A</p>
 <p>10</p> <p>10A</p>	 <p>11</p> <p>11A</p> <p>3,5</p>	 <p>12</p> <p>4,8</p> <p>12A</p>

F8386 CAC94

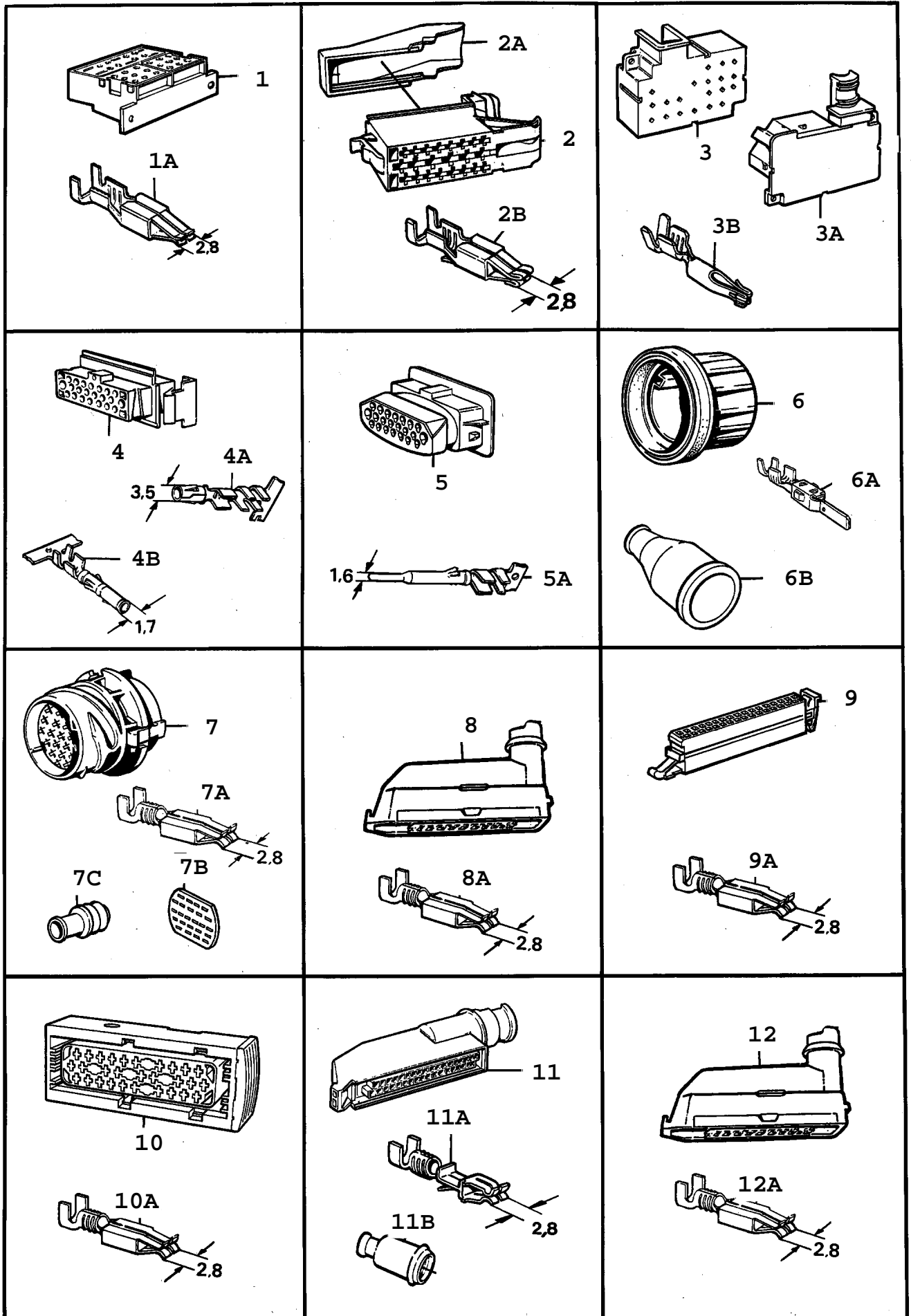
Rep.	N° de pièce	Article	Usage	Qté
1	41 74 264	Boîtier de connecteur 2-poles, broches	AIR-BAG PASSANGER	X
1A	41 15 077	Cosse	AREA, 1, 0-2, 5 MM2, NLS-USE 12789934	X
2	41 13 411	Boîtier de connecteur 2-poles, douille	JOINT PIECE ABS UNIT COOLING FAN	X
2A	43 54 171	Cosse	AREA, 1, 0-2, 5 MM2, NLS-USE 12970428	X
3	41 78 414	Boîtier de connecteur 2-poles, douille	B308, WATER PUMP INJECTION VALVE, JOINT JOINT PIECE PEDAL SENSOR AUXILIARY AIR VALVE, NLS-USE 12790247	X
3A	40 61 586	Cosse	AREA, 1, 0-2, 5 MM2	X
4	42 01 224	Boîtier de connecteur 2-poles, douille	REVERS LIGHT CONTACT	X
4A	44 18 505	Cosse	AREA, 0, 5-1, 0 MM2	X
4B	42 01 232	Verrouillage		X
4C	44 19 305	Joint rouge		X
4C	44 19 313	Joint bleu		X
5	44 33 439	Boîtier de connecteur 2-poles, douille	B308, INJECTION VALVES	X
5A	40 61 586	Cosse	AREA, 1, 0-2, 5 MM2	X
6	41 13 403	Boîtier de connecteur 2-poles, douille	AIR PUMP, COOLING FAN 2-STEP, NLS-USE 12788982	X
6A	43 54 171	Cosse	AREA, 1, 0-2, 5 MM2, NLS-USE 12970428	X
7	41 76 780	Boîtier contact 2-poles, douille	MAKE-UP MIRROR	X
7A	41 15 499	Cosse	AREA, 0, 5-1, 0 MM2, NLS-USE 12790414	X
8	46 68 588	Boîtier contact 2-poles, douille	TEMP SENSOR	X
8A	40 61 586	Cosse	AREA, 1, 0-2, 5 MM2	X
9	46 68 596	Boîtier contact 2-poles, douille	TERMO SWITCH, WATERTEMP	X
9A	40 61 586	Cosse	AREA, 1, 0-2, 5 MM2	X
10	95 03 277	Boîtier contact 3-poles, douille	HEADLIGHT WIPERS, WIPER MOTOR, ABS, BY-PASS, HEADLIGHT LEVELLING THEFT ALARM DOOR	X
10A	85 47 796	Bloc connexion		X
11	85 64 924	Boîtier contact 3-poles, broche	NUMBER PLATE LIGHT JOINT PIECE CABLE HAR-NESS DOORS, JOINT PIECE TRUNK LID	X
11A	85 44 322	Cosse	AREA 2, 0-4, 0 MM2	X

Rep.	N° de pièce	Article	Usage	Qté
12	91 24 165	Boîtier contact 3-poles, douille	JOINT PIECE, LIGHT ASH TRAY REAR, ELECTRONIC UNIT REOSTAT, CLOCK SPEEDOMETER, REOSTAT JOINT PIECE PASSENGER SEAT, ELECTRONIC UNIT SPEED WARNING DEVICE	X
12A	91 20 791	Cosse	AREA 2, 5-4, 0 MM2	X

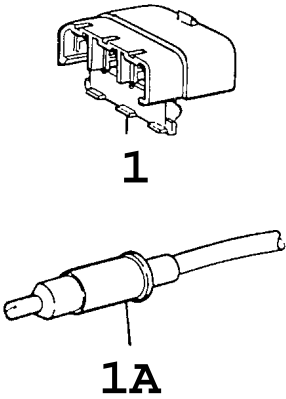
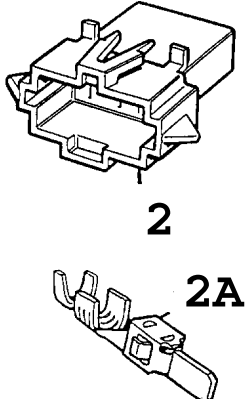
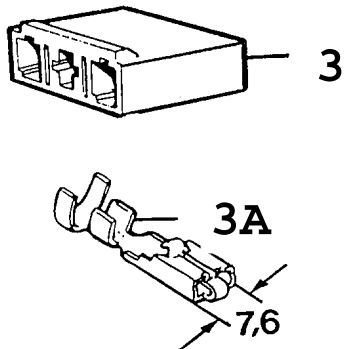
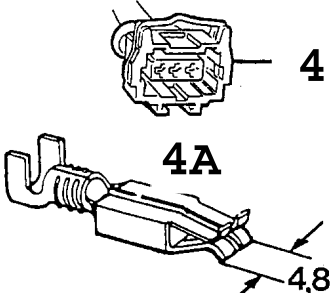
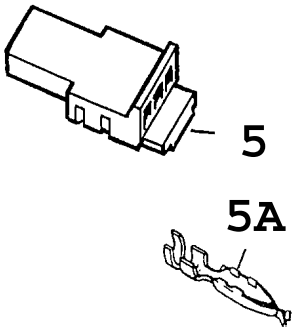
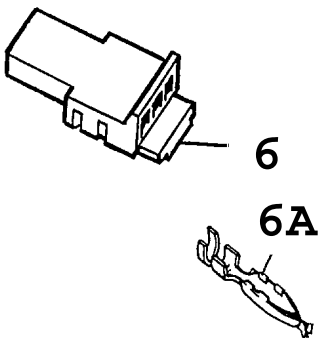
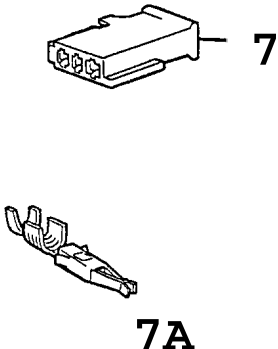
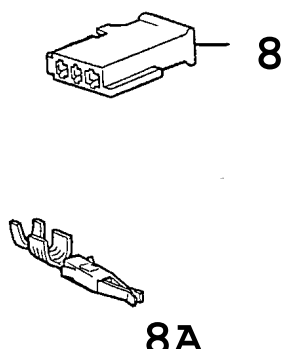
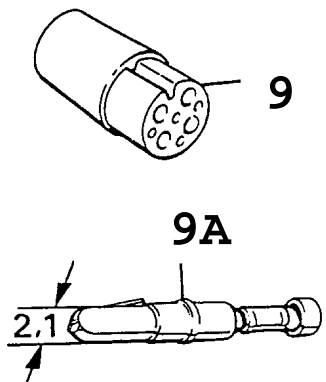
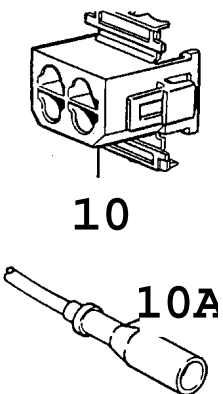
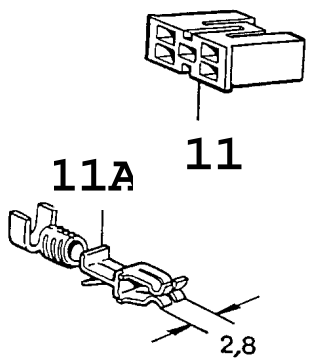
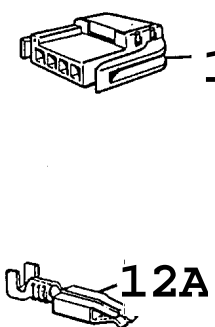


Rep.	N° de pièce	Article	Usage	Qté
1	85 33 655	Boîtier contact 8-poles, douille	ELECTRONIC UNIT SPEED CONTROL	
1A	91 20 791	Cosse	AREA, 2, 5-4, 0 MM2	X
2	91 24 181	Boîtier contact 8-poles, broche	JOINT PIECE, EL-HEATED SEAT, X EDU II, JOINT PIECE CABLE HARNESS ROOF SWITCH WINDOW REGULATOR	
2A	85 93 089	Cosse	AREA, 0, 5-1, 0 MM2	X
2A	85 16 957	Cosse	AREA, 4, 0-6, 0 MM2	X
2B	95 68 775	Isolant	NLS	X
3	91 24 090	Boîtier contact 8-poles, douille	I, JOINT PIECE, SWITCH REAR DEMIST, SWITCH SUN ROOF, REGULATOR, SWITCH SUN CENTRAL LOCK, TOW HOOK ACC, TRUNK LID, SWITCH CENTRAL LOCK, ON/OFF SWITCH FAN, DCC, EDU ALARM, JOINT PIECE CABLE HARNESS ROOF	X
3A	91 20 791	Cosse	AREA, 2, 5-4, 0 MM2	X
3B	95 68 775	Isolant	NLS	X
4	95 52 159	Boîtier contact 8-poles, douille	ELECTRONIC UNIT BELT TENSIONER	X
4A	95 52 175	Cosse		X
4B	95 52 167	Couvercle		X
5	95 12 930	Boîtier contact 9-poles, douille	LOCK STEERING COLUMN	X
5A	95 09 746	Cosse	AREA, 0, 5-1, 5 MM2	X
6	91 22 557	Boîte connexion 10-poles, broche	RADIO, JOINT PIECE MAIN CABLE HARNESS SAAB DI, DIAGNOS UNIT	X
6A	95 52 126	Cosse	AREA, 0, 5-1, 0 MM2, NLS-USE 9552100	X
6A	95 52 100	Cosse	AREA, 0, 75-1, 5 MM2	X
6B	95 68 775	Isolant	NLS	X
7	91 23 399	Boîte connexion 10-poles, douille	REAR FOG LIGHT, SWITCH AC, RECIRCULATION AC, RADIO, FOG LIGHT EXTRA REOSTAT ELPAD, HEADLIGHT LEVELING, TEST CONNECTOR AIR-BAG, JOINT PIECE REOSTAT LIGHT INSTEP THEFT ALARM	X
7A	91 20 668	Cosse	AREA, 0, 75-1, 5 MM2, NLS-USE 30520560	X
7B	95 68 775	Isolant	NLS	X
8	95 29 538	Boîtier contact 12-poles, douille	DIAGNOS AIR-BAG	X
8A	95 25 817	Cosse	AREA, 0, 2-0, 56 MM2	X
9	95 29 512	Boîtier contact 12-poles, broche	JOINT PIECE MAIN CABLE HARNESS/AIR-BAG	X
9A	95 26 401	Cosse	AREA, 0, 2-0, 56 MM2	X
10	95 03 020	Boîtier contact 14-poles, douille	INSTRUMENTS	X
10A	95 05 397	Cosse	AREA, 1, 5-2, 5 MM2	X

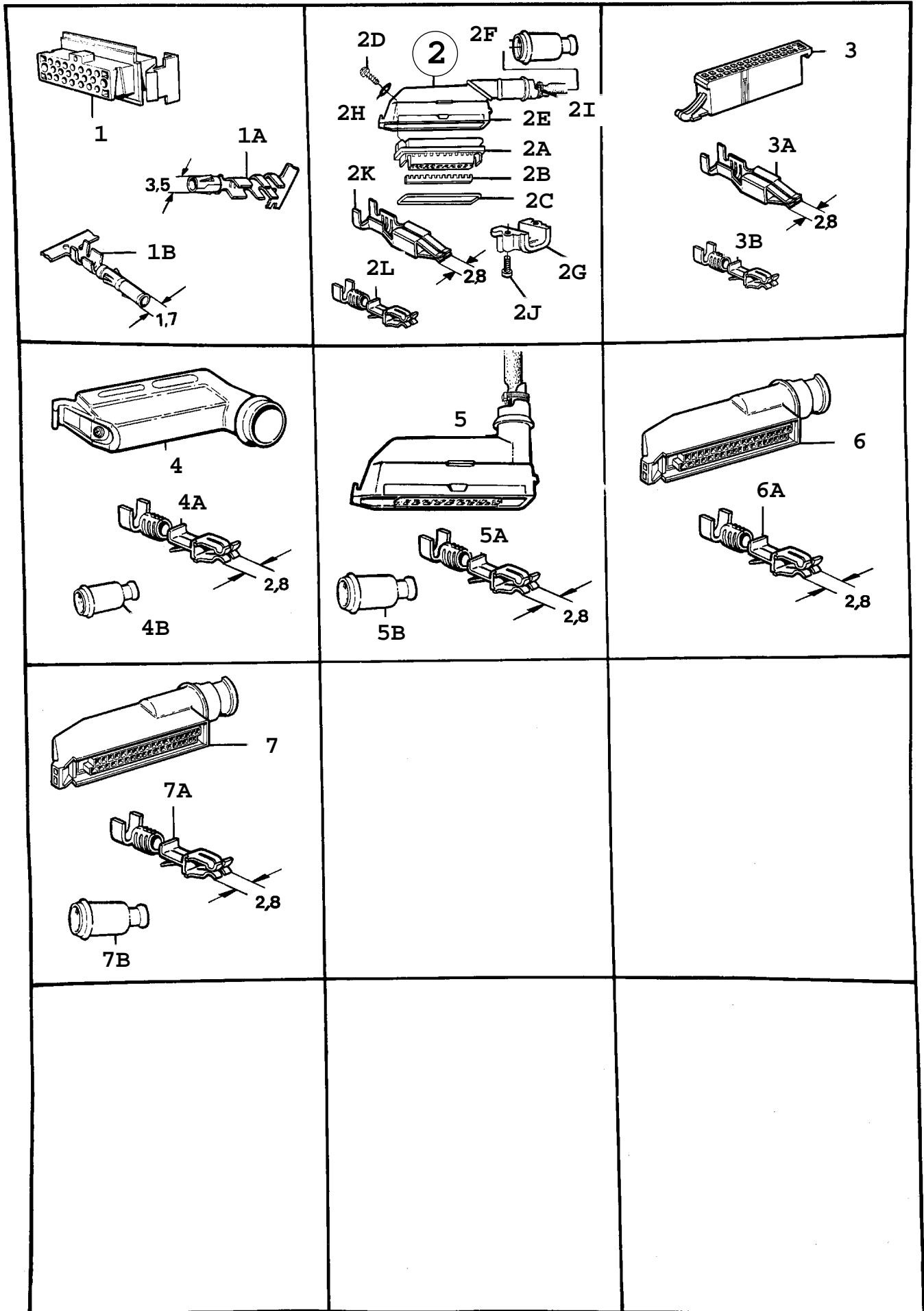
Rep.	N° de pièce	Article	Usage	Qté
11	95 66 282	Boîtier contact 16-poles, douille	ELECTRONIC UNIT THEFT ALARM	X
11A	91 20 668	Cosse	AREA, 0, 75-1, 5 MM2, NLS-USE 30520560	X
12	95 27 755	Boîtier contact 20-poles, douille	ELECTRONIC UNIT AIR-BAG	X
12A	95 27 763	Boîtier contact		X
12B	95 27 771	Cosse	AREA, 0, 5 MM2	X



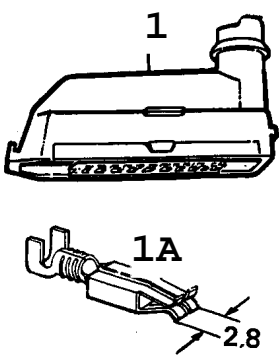
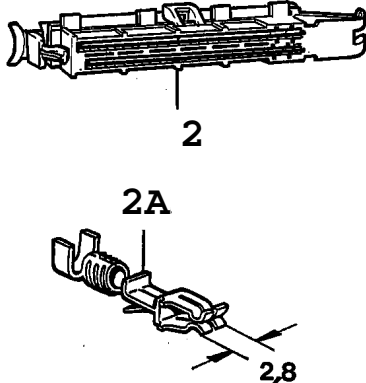
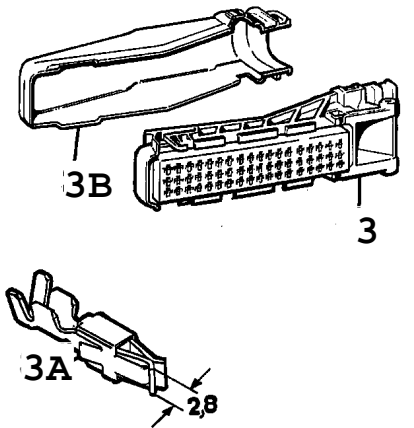
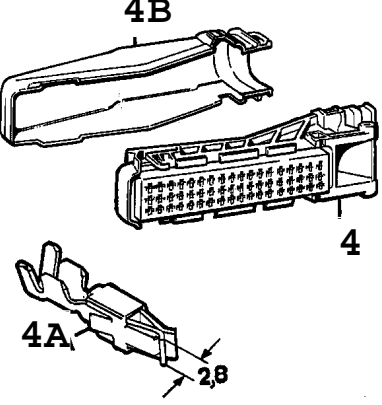
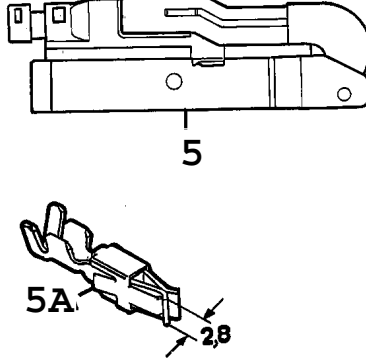
Rep.	N° de pièce	Article	Usage	Qté
1	91 25 543	Boîtier contact 18-poles, douille	EL-DISTRIBUT. UNIT	X
1A	91 20 791	Cosse	AREA, 2, 5-4, 0 MM2	X
2	40 60 893	Boîtier contact 19-poles, douille	SWITCH CENTRE CONSOLE	X
2A	40 67 617	Capot		X
2B	91 20 957	Cosse	AREA, 1, 0-2, 5 MM2, NLS-USE 30520560	X
3	95 27 755	Boîtier contact 20-poles, douille	ELECTRONIC UNIT AIR-BAG	X
3A	95 27 763	Boîtier contact		X
3B	95 27 771	Cosse	AREA, 0, 5 MM2	X
4	95 25 106	Boîtier contact 22-poles, douille	JOINT PIECE FRONT DOORS	X
4A	85 82 595	Cosse	AREA, 0, 5-2, 0 MM2	X
4B	85 87 552	Cosse	AREA, 0, 5-1, 5 MM2	X
5	95 25 114	Boîtier contact 22-poles, broche	JOINT PIECE DOORS	X
5A	85 93 964	Cosse	AREA, 0, 8-1, 5 MM2	X
6	41 74 868	Boîtier de connecteur 24-poles, broche	JOINT PIECE MAIN CABLE HARNESS, JOINT PIECE CABLE HARNESS FRONT	X
6A	41 15 192	Cosse	AREA, 1, 0-2, 5 MM2	X
6B	41 11 308	Protection en caoutchouc		X
6C	45 88 349	Anneau verrouillage		X
7	41 76 244	Boîtier de connecteur 24-poles, douille	JOINT PIECE CABLE HARNESS ENGINE	X
7A	40 61 586	Cosse	AREA, 1, 0-2, 5 MM2	X
7B	43 52 936	Joint		X
7C	40 61 958	Joint	BLIND PLUG, NLS-USE 12798370	X
7C	40 61 966	Joint	1,2-2,0 MM	X
7C	40 61 974	Joint	2,1-2,0 MM	X
8	41 76 582	Boîtier de connecteur 25-poles, douille	ELECTRONIC UNIT EZK	X
8A	91 20 957	Cosse	AREA, 1, 0-2, 5 MM2, NLS-USE 30520560	1
9	41 76 186	Boîtier de connecteur 25-poles, douille	ELECTRONIC UNIT ASR	X
9A	91 20 957	Cosse	AREA, 1, 0-2, 5 MM2, NLS-USE 30520560	1
10	41 14 609	Boîtier de connecteur 29-poles, douille	DIAGNOSTIC UNIT AIR-BAG	X
10A	91 20 957	Cosse	AREA, 1, 0-2, 5 MM2, NLS-USE 30520560	X
11	91 25 519	Boîtier contact 35-poles, douille	ELECTRONIC UNIT LH	X
11A	91 20 668	Cosse	AREA, 0, 75-1, 5 MM2, NLS-USE 30520560	X
11B	85 87 511	Protection en caoutchouc		X
12	41 75 428	Boîtier de connecteur 38-poles, douille	ELECTRONIC UNIT ETS	X
12A	91 20 957	Cosse	AREA, 1, 0-2, 5 MM2, NLS-USE 30520560	X

 <p>1 1A</p>	 <p>2 2A</p>	 <p>3 3A 7,6</p>
 <p>4 4A 4,8</p>	 <p>5 5A</p>	 <p>6 6A</p>
 <p>7 7A</p>	 <p>8 8A</p>	 <p>9 9A 2,1</p>
 <p>10 10A</p>	 <p>11 11A 2,8</p>	 <p>12 12A</p>

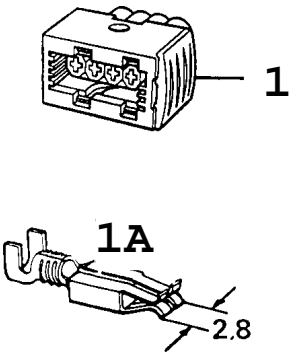
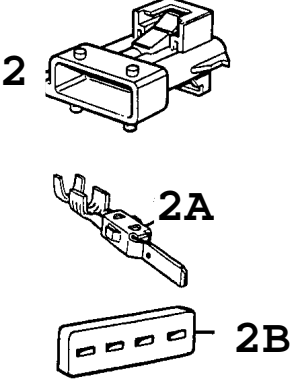
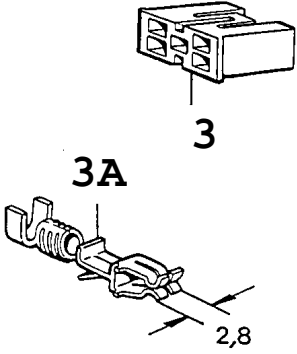
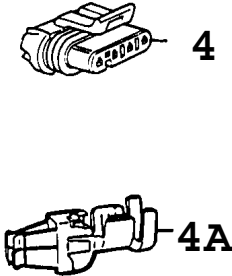
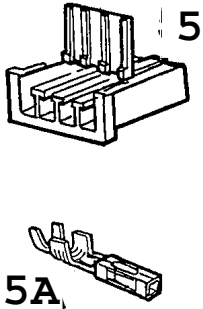
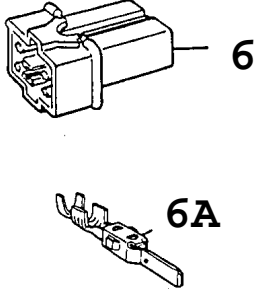
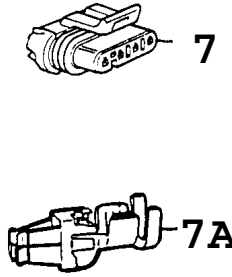
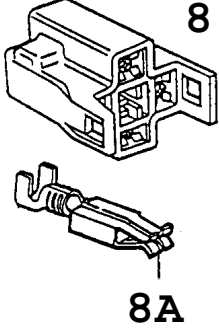
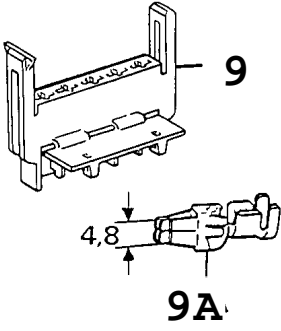
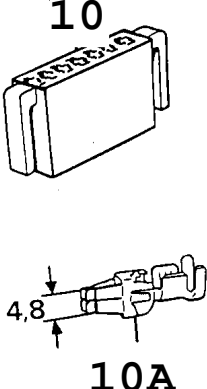
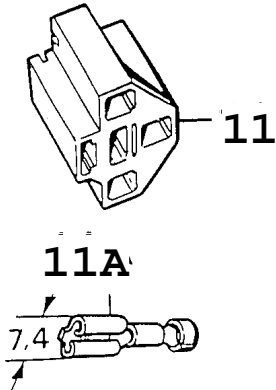
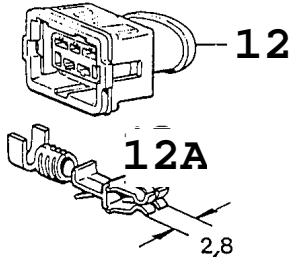
Rep.	N° de pièce	Article	Usage	Qté
1	95 03 327	Boîtier contact 3-poles, broche	PRESSURE MONITOR AC R134A	X
1A	85 47 770	Bloc connexion		X
2	41 17 669	Boîtier de connecteur 3-poles, broche	EL-ADJUSTED SEAT, JOINT PIECE MAIN CABLE HARNESS	X
2A	41 15 580	Cosse	AREA, 1, 0-2, 5 MM2	X
3	95 07 658	Boîtier contact 3-poles, douille	SWITCH INTERIOR LIGHT	X
3A	85 60 476	Cosse	AREA, 0, 9-2, 0 MM2	X
4	44 32 316	Boîtier de connecteur 3-poles, douille	SOLENOID VALVE, CRANK SHAFT SENSOR, PRESSURE SENSOR, PRESSURE SENSOR SENSOR TRIONIC, IDLE SPEED CONTROL	X
4A	40 61 586	Cosse	AREA, 1, 0-2, 5 MM2	X
5	41 09 195	Boîtier contact 3-poles, douille	MEMORY UNIT CHAIR	X
5A	40 63 970	Cosse	AREA, 0, 5-1, 0 MM2	X
6	41 09 187	Boîtier contact 3-poles, douille	MEMORY UNIT CHAIR	X
6A	40 63 970	Cosse	AREA, 0, 5-1, 0 MM2	X
7	41 13 007	Boîtier de connecteur 3-poles, douille	HORN BUTTON	X
7A	41 15 499	Cosse	AREA, 0, 5-1, 0 MM2, NLS-USE 12790414	X
8	45 17 702	Boîtier de connecteur 3-poles, douille	AIRBAG DRIVER, NLS	X
8A	44 66 801	Cosse	AREA, 0, 5-1, 0 MM2	X
9	85 30 099	Boîtier contact 4-poles, broche	ELECTRIC MIRROR	X
9A	85 22 583	Cosse	AREA, 0, 8-3, 4 MM2	X
10	95 03 434	Boîtier contact 4-poles, douille	CONTROL UNIT ACC, JOINT PIECE, PTHEFT ALARM	X
10A	85 47 796	Bloc connexion		X
10A	78 74 498	Connexion		X
11	91 23 555	Boîtier contact 4-poles, douille	FAN INDOOR TEMP, JOINT PIECE MAIN CABLE HAR- NESS/APC, LUGGAGE COM- PARTMENT LOCK, PHONE SWITCH WARNING FLASHER REAR WIPER, TAIL LAMP	X
11A	95 08 714	Cosse	AREA, 0, 3-0, 6 MM2, NLS-USE 30520560	X
12	40 60 869	Boîtier contact 4-poles, douille	SUN SENSOR	X
12A	40 63 970	Cosse	AREA, 0, 5-1, 0 MM2	X



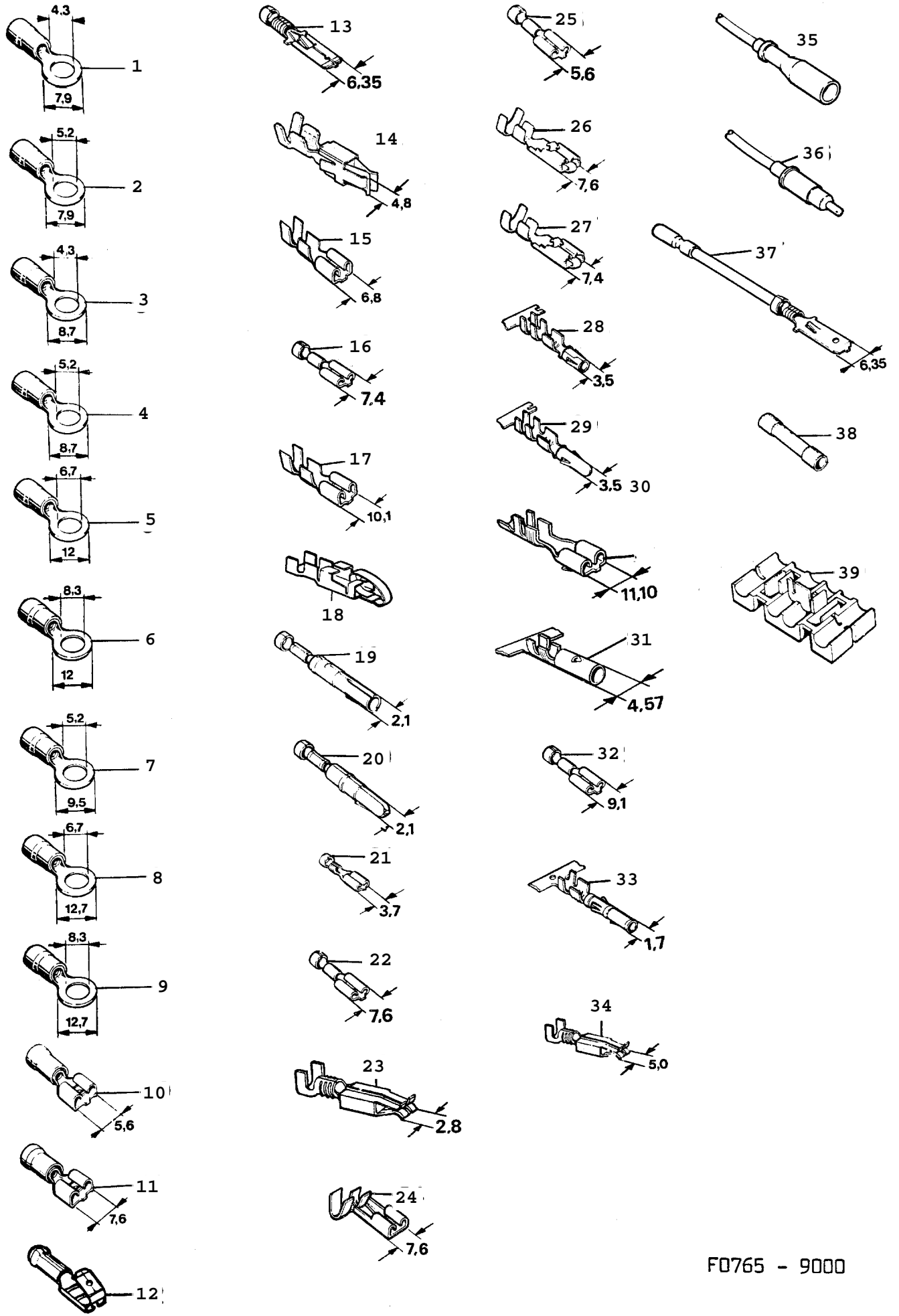
Rep.	N° de pièce	Article	Usage	Qté
1	95 25 106	Boîtier contact 22-poles, douille	JOINT PIECE FRONT DOORS	X
1A	85 44 298	Cosse	AREA, 0, 5-2, 0 MM2, NLS-USE 8582595	X
1B	85 87 552	Cosse	AREA, 0, 5-1, 5 MM2	X
2	85 79 930	Boîtier contact 25-poles, douille	ELECTRONIC UNIT LH, NLS	X
2A	85 87 420	*Boîtier contact		1
2B	85 87 438	*Gâche		1
2C	85 87 453	*Joint		1
2D	85 87 487	*Vis		1
2E	85 87 412	*Capot	NLS	1
2F	85 87 446	*Bague	NLS	1
2G	85 87 495	*Support	NLS	1
2H	85 87 461	*Joint		1
2I	79 71 872	*Ruban serrage	(8558256)	1
2J	79 71 351	*Vis		2
2K	85 21 593	Cosse	AREA, 0, 5-1, 5 MM2	X
2L	91 20 668	Cosse	AREA, 0, 75-1, 5 MM2, NLS-USE 30520560	X
3	95 06 650	Boîtier contact 25-poles, broche	ELECTRONIC UNIT ACC	X
3A	85 21 593	Cosse	AREA, 0, 5-1, 5 MM2	X
3B	91 20 668	Cosse	AREA, 0, 75-1, 5 MM2, NLS-USE 30520560	X
4	95 64 089	Boîtier contact 25-poles, douille	APC, EZ100K	X
4A	91 20 668	Cosse	AREA, 0, 75-1, 5 MM2, NLS-USE 30520560	X
4B	85 87 511	Protection en caoutchouc		X
5	95 29 496	Boîtier contact 35-poles, douille	ELECTRONIC UNIT ABS	X
5A	91 20 668	Cosse	AREA, 0, 75-1, 5 MM2, NLS-USE 30520560	X
5B	85 87 511	Protection en caoutchouc		X
6	91 25 519	Boîtier contact 35-poles, douille	ELECTRONIC UNIT LH	X
6A	91 20 668	Cosse	AREA, 0, 75-1, 5 MM2, NLS-USE 30520560	X
7	95 66 266	Boîtier contact 38-poles, douille	ELECTRONIC UNIT APC/DI, NLS-USE 4109310	X
7A	91 20 668	Cosse	AREA, 0, 75-1, 5 MM2, NLS-USE 30520560	X
7B	91 20 106	Protection		X

Rep.	N° de pièce	Article	Usage	Qté
1	41 76 269	Boîtier de connecteur 38-poles, douille	ELECTRONIC UNIT	X
1A	91 20 957	Cosse	AREA, 1, 0-2, 5 MM2, NLS-USE 30520560	
2	95 65 045	Boîtier contact 39-poles, douille	ELECTRONIC UNIT ACC, EDU	X
2A	40 63 970	Cosse	AREA, 0, 5-1, 0 MM2	X
2A	91 20 957	Cosse	AREA, 1, 0-2, 5 MM2, NLS-USE 30520560	X
3	41 76 210	Boîtier contact 55-poles, douille	ELECTRONIC UNIT ABS	X
3A	40 61 586	Cosse	AREA, 1, 5-2, 5 MM2	X
3B	44 18 380	Capot		X
4	43 53 637	Boîtier contact 55-poles, douille	ELECTRONIC UNIT ASR	X
4A	40 61 586	Cosse	AREA, 1, 5-2, 5 MM2	X
4B	44 18 380	Capot		X
5	41 76 616	Boîtier de connecteur 70-poles, douille	ELECTRONIC UNIT TRIONIC	X
5A	43 54 353	Cosse	AREA, 0, 5-1, 0 MM2	X
5A	40 61 586	Cosse	AREA, 1, 5-2, 5 MM2	X

 <p>1</p> <p>1A</p> <p>2,8</p>	 <p>2</p> <p>2A</p> <p>2B</p>	 <p>3</p> <p>3A</p> <p>2,8</p>
 <p>4</p> <p>4A</p>	 <p>5</p> <p>5A</p>	 <p>6</p> <p>6A</p>
 <p>7</p> <p>7A</p>	 <p>8</p> <p>8A</p>	 <p>9</p> <p>4,8</p> <p>9A</p>
 <p>10</p> <p>4,8</p> <p>10A</p>	 <p>11</p> <p>11A</p> <p>7,4</p>	 <p>12</p> <p>12A</p> <p>2,8</p>

Rep.	N° de pièce	Article	Usage	Qté
1	41 13 601	Boîtier de connecteur 4-poles, douille	HEAD LIGHT, HEAT PLATES, LAMBDA SONDE, SENSOR KRANKSHAFT SENSOR CAMSHAFT PRESSURE MONITOR	X
1A	43 50 526	Cosse	AREA, 0, 5-1, 0 MM2	X
2	41 13 650	Boîtier de connecteur 4-poles, broche	SENSOR FUEL PUMP JOINT PIECE	X
2A	41 15 192	Cosse	AREA, 1, 0-2, 5 MM2	X
2B	41 13 759	Joint		X
3	40 61 503	Boîtier contact 4-poles, douille	CONTACT PARKING PAWL	X
3A	91 20 957	Cosse	AREA, 1, 0-2, 5 MM2, NLS-USE 30520560	X
4	46 68 604	Boîtier contact 4-poles, douille	MASS AIR FLOW SENSOR	X
4A	40 61 586	Cosse	AREA, 1, 0-2, 5 MM2	X
5	45 37 411	Boîtier de connecteur 4-poles, douille	SENSOR THEFT ALARM	X
5A	45 38 310	Cosse	AREA, 0, 2-0, 56 MM2	X
6	41 17 263	Boîtier de connecteur 4-poles, broche	JOINT PIECE MAIN CABLE HARNESS	X
6A	41 15 077	Cosse	AREA, 1, 0-2, 5 MM2, NLS-USE 12789934	X
7	46 68 604	Boîtier contact 4-poles, douille	IGNITION COIL	X
7A	40 61 586	Cosse	AREA, 1, 0-2, 5 MM2	X
8	42 24 317	Boîtier de connecteur 4-poles, douille	BRAKE LIGHT SWITCH	X
8A	91 20 791	Cosse	AREA, 2, 5-4, 0 MM2	X
9	91 22 789	Boîtier contact 5-poles, douille	RESISTOR HEATING FAN	X
9A	91 20 791	Cosse	AREA, 2, 5-4, 0 MM2	X
10	91 24 173	Boîtier contact 5-poles, douille	GEAR INDICATOR, JOINT PIECE, GEAR INDICATOR STARTER INHIBITOR	X
10A	91 20 791	Cosse	AREA, 2, 5-4, 0 MM2	X
11	85 33 697	Boîtier contact 5-poles, douille	RELAY EXHAUST TEMP	X
11A	85 82 454	Cosse	AREA, 0, 5-1, 5 MM2	X
12	44 32 365	Boîtier de connecteur 5-poles, douille	TCS	X
12A	91 20 957	Cosse	AREA, 1, 0-2, 5 MM2, NLS-USE 30520560	X
12	95 03 475	Boîtier contact 6-poles, douille	JOINT PIECE	X
12A	85 47 796	Bloc connexion		X
12A	78 74 498	Connexion		X

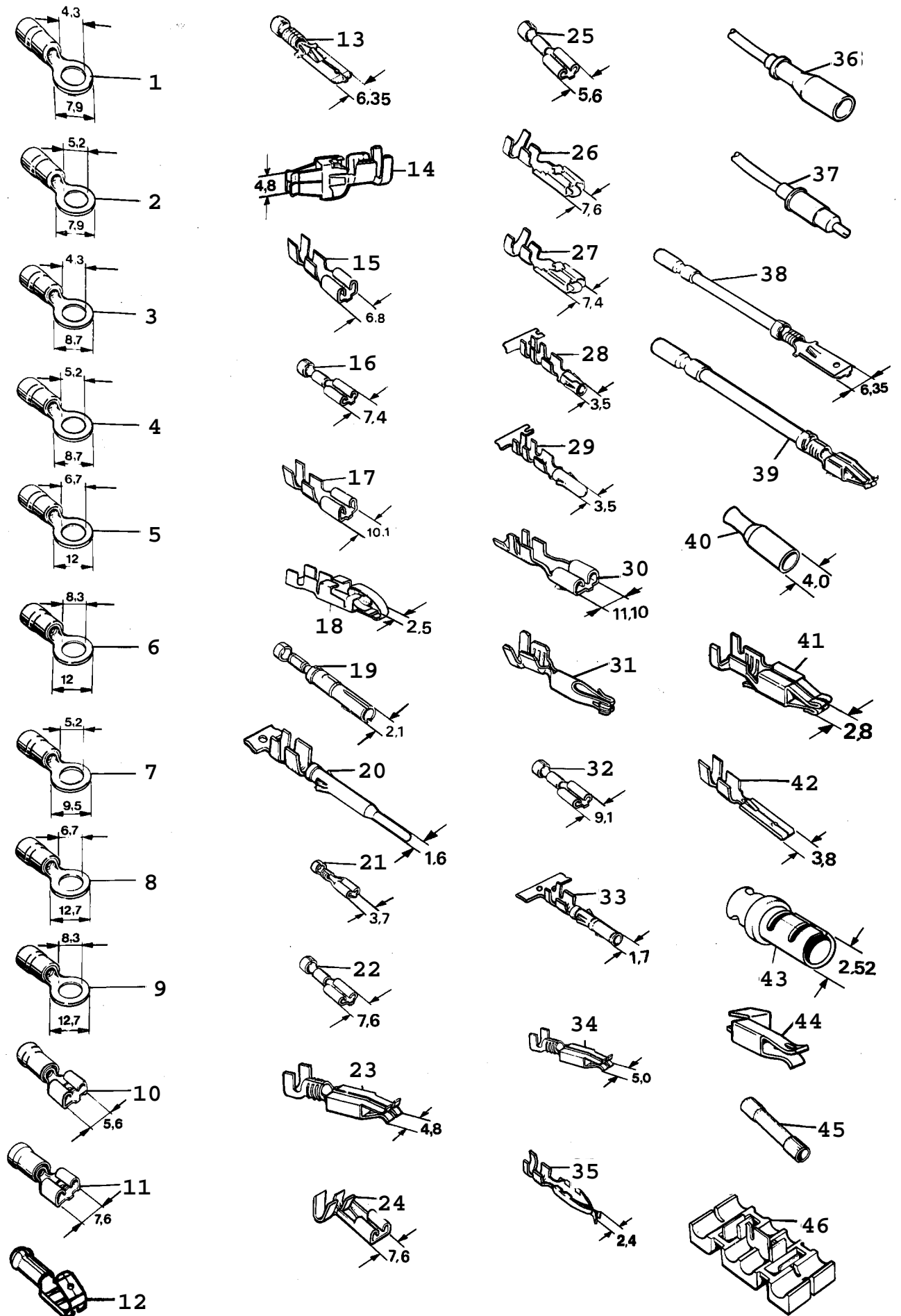


F0765 - 9000

Rep.	N° de pièce	Article	Usage	Qté
1	71 55 211	Cosse Note: Code couleur rouge (section 0,25-1,6 MM2).	40/253 152 003	X
2	71 55 229	Cosse Note: Code couleur rouge (section 0,25-1,6 MM2).	40/253 153 001	X
3	71 55 237	Cosse Note: Code couleur bleu (section 1,0-2,6 MM2).	40/253 172 001	X
4	71 17 880	Cosse Note: Code couleur bleu (section 1,0-2,6 MM2).	40/253 173 009	X
5	78 29 617	Cosse Note: Code couleur bleu (section 1,0-2,6 MM2).	40/253 174 007	X
6	79 59 349	Cosse Note: Code couleur bleu (section 1,0-2,6 MM2).		X
7	71 55 658	Cosse Note: Code couleur jaune (section 2,7-6,6 MM2).	40/253 210 009	X
8	78 29 666	Cosse Note: Code couleur jaune (section 2,7-6,6 MM2).	40/253 211 007	X
9	78 29 674	Cosse Note: Code couleur jaune (section 2,7-6,6 MM2).	40/253 212 005	X
10	79 69 231	Cosse Note: Code couleur bleu (section 1,0-3,4 MM2).		X
11	78 29 625	Raccord Note: Code couleur bleu (section 1,5-2,5 MM2).	40/253 195 002, NLS	X
11	78 29 682	Cosse Note: Code couleur jaune (section 3,0-6,0 MM2).	40/253 226 005	X
11	78 29 633	Boîtier contact Note: Code couleur bleu (section 1,5-2,5 MM2).	40/253 197 008, NLS	X
11	78 29 609	Cosse Note: Code couleur rouge (section 0,3-1,5 MM2).	40/253 168 009	X
12	78 29 641	Tubulure Note: Code couleur bleu (section 1,5-2,5 MM2).	45/30 24 650	X
13	71 55 062	Cosse Note: Area 0,8-2,5 MM2.	JOINT PIECE, FOR CONTACT HOUSING, 9124181, NLS-USE 8522542	X
13	85 16 957	Cosse Note: Area 4,0-6,0 MM2.	FOR CONTACT HOUSING 9124181	X
13	85 93 089	Cosse Note: Area 0,5-1,0 MM2.	FOR CONTACT HOUSING 9503012	X
14	91 20 775	Cosse Note: Area 0,5-1,0 MM2.	EL-CENTRAL, FAILUR SENSOR, FLASHER UNIT, FUEL PUMP RELAY, MAIN RELAY, RELAY HORN, RELAY REAR DEMIST, RELAY AC INTERVAL RELAY, AC DIOD INTERIOR LIGHT, FOR CONTACT HOUSING 9122797 9124090, 9124157, 9124165	X
15	71 55 039	Cosse Note: Area 1,5-2,5 MM2.	EL-CENTRAL, FOR CONTACT HOUSING 8516916, NLS	X
15	71 55 716	Cosse Note: Area 0,4-1,0 MM2.	EL-CENTRAL, FOR CONTACT HOUSING 8516916	X
16	71 55 153	Cosse Note: Area 0,8-2,1 MM2.	FOR CONTACT HOUSING 7155096, NLS-USE 8522534	X
16	79 72 029	Cosse Note: Area 1,0-2,5 MM2.	REAR DEMIST, FOR CONTACT HOUSING, 9503251, NLS-USE 8522534	X
16	79 71 708	Cosse Note: Area 0,5-1,5 MM2.	FOR CONTACT HOUSING 7342892	X
17	79 69 256	Cosse Note: Area 4,0-6,0 MM2.	EL-CENTRAL	X
18	81 35 147	Cosse Note: Area 0,75-1,0 MM2.	FOR CONTACT HOUSING 8135600	X
18	81 38 679	Cosse Note: Area 1,0-3,5 MM2.	FOR CONTACT HOUSING 8135600	X
19	85 22 583	Cosse Note: Area 0,5-1,0 MM2.	FOR CONTACT HOUSING 8530099(8503153)	X

Rep.	N° de pièce	Article	Usage	Qté
20	85 22 591	Cosse Note: Area 0,5-1,0 MM2.	FOR CONTACT HOUSING 8530081(8503161)	X
21	85 09 846	Cosse Note: Area 0,5-1,4 MM2.	FOR CONTACT HOUSING 8378630, NLS-USE 8522575	X
21	85 30 107	Cosse Note: Area 0,5-1,5 MM2.	FOR CONTACT HOUSING 8530115	X
22	85 14 028	Cosse Note: Area 0,3-0,8 MM2.	TEMP SENSOR, OIL PRESSURE SENSOR, ALTERNATOR, FOR CONTACT HOUSING 8516916, NLS-USE 7155716	X
22	85 14 036	Cosse Note: Area 1,0-2,5 MM2.	FOR CONTACT HOUSING 8516916, 8572083	X
23	85 21 593	Cosse Note: Area 0,5-1,5 MM2.	FAILUR SENSOR INTERVAL RELAY, FOR CONTACT HOUSING, 8544371 8574097, 8574121, 8579930 8593899, 8593907, 8593915 8593931, 8593949, 9123381 9506650	X
23	91 20 783	Cosse Note: Area 1,0-2,5 MM2.	EL-CENTRAL FAILUR SENSOR, RELAY LIGHT, RELAY FUEL PUMP, MAIN RELAY, RELAY HORN, RELAY REAR DEMIST, RELAY AC INTERVAL RELAY, AC DIOD FOR CONTACT HOUSING 9124090, 9124157, 9124165 9122797, 9502048	X
23	91 20 791	Cosse Note: Area 2,5-4,0 MM2.	EL-CENTRAL, FAILUR SENSOR, RELAY AC, RELAY IGNITION LOCK	X
24	85 21 676	Cosse Note: Area 0,5-1,5 MM2.	SPOTLIGHT, LIGHT ASH TRAY, FOR CONTACT HOUSING 8521692, NLS-USE 8522526	X
24	85 21 684	Cosse Note: Area 1,0-2,5 MM2.	FOR CONTACT HOUSING 8521692, NLS-USE 8522526	X
24	85 22 526	Cosse Note: Area 0,5-1,5 MM2.	FOR CONTACT HOUSING 8521692(8582421)	X
25	85 44 389	Cosse Note: Area 0,5-1,5 MM2.	FOR CONTACT HOUSING 8544371, 8574121	X
25	85 33 028	Cosse Note: Area 0,5-1,5 MM2.	FOR CONTACT HOUSING 8533184, NLS-USE 8582439	X
26	85 41 203	Cosse Note: Area 0,5-1,5 MM2.	JOINT PIECE, FOR, NLS-USE 8560476 CONTACT HOUSING 8541229 8544363, 9507658	X
27	85 41 211	Cosse Note: Area 2,5-4,0 MM2.	JOINT PIECE, FOR CONTACT HOUSING 8541229 8544363	X
28	85 44 298	Cosse Note: Area 0,5-2,0 MM2.	JOINT PIECE, FOR CONTACT HOUSING, 8564916 8561631, 9503293, NLS-USE 8582595	X
28	85 44 306	Cosse Note: Area 2,0-4,0 MM2.	JOINT PIECE	X
28	85 82 090	Cosse Note: Area 0,5-1,5 MM2.	FOR CONTACT HOUSING 9503525	X
29	85 44 314	Cosse Note: Area 0,5-2,0 MM2.	FOR CONTACT HOUSING 8561623, 8564924, NLS-USE 8582603	X
29	85 44 322	Cosse Note: Area 2,0-4,0 MM2.	FOR CONTACT HOUSING 8564924	X
30	85 69 139	Cosse Note: Area 4,0-6,0 MM2.	EL-CENTRAL	X
31	85 72 596	Cosse Note: Area 0,6-1,4 MM2.	COMPRESSOR AC	X
32	85 82 413	Cosse Note: Area 1,3-3,4 MM2.	FOR CONTACT HOUSING 7155021	X

Rep.	N° de pièce	Article	Usage	Qté
33	85 87 552	Cosse Note: Area 0,5-1,5 MM2.	FOR CONTACT HOUSING 8521700, 9506643	X
34	95 02 923	Cosse Note: Area 4,0-6,0 MM2.	EL-CENTRAL, RELAY REAR DEMIST, FOR CONTACT HOUSING 9122789, NLS-USE 30520554	X
35	78 74 498	Connexion	FOR CONTACT HOUSING 9503277, 9503316, 9503319 9503434, 9503475	X
36	78 74 506	Connexion	FOR CONTACT HOUSING 9501685, 9506668	X
37	85 22 542	Cosse Note: Code couleur bleu (section 1,0-2,6 MM2).	FOR CONTACT HOUSING, 7155112	X
38	71 55 203	Douille raccord Note: Code couleur rouge (section 0,25-1,6 MM2).	40/253 164 008	X
38	71 55 146	Douille raccord Note: Code couleur bleu (section 1,0-2,6 MM2).	40/253 188 007	X
38	71 55 633	Douille raccord Note: Code couleur jaune (section 2,7-6,6 MM2).	40/253 221 006	X
39	85 87 198	Joint câble Note: Area 0,5-0,75 MM2.		X
39	85 21 668	Joint câble Note: Area 0,8-2,1 MM2.		X



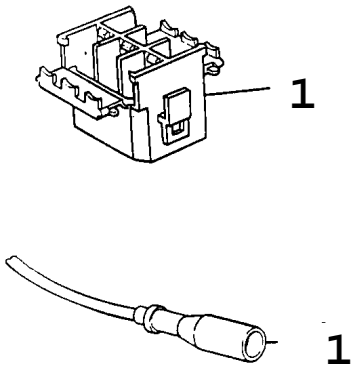
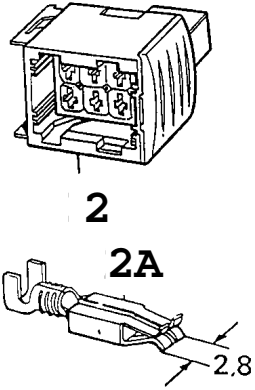
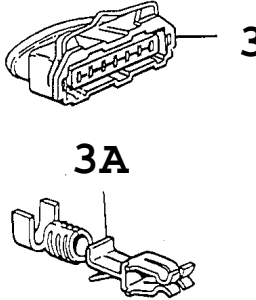
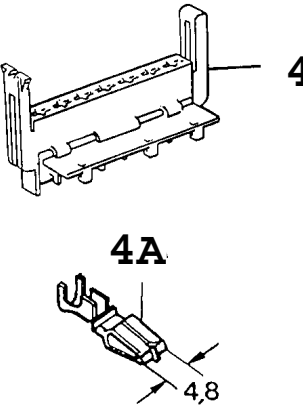
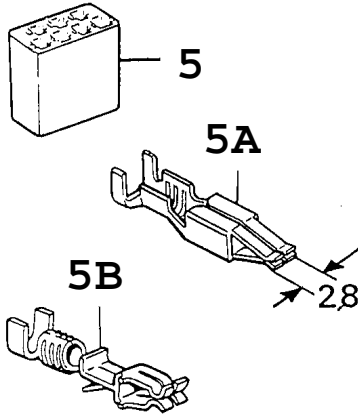
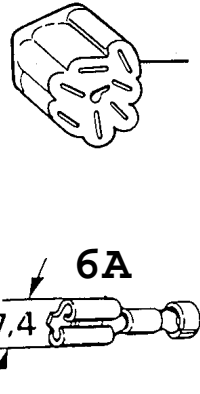
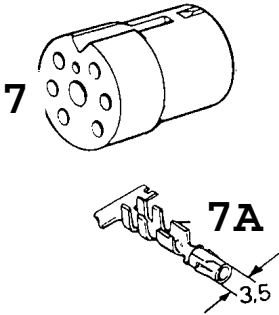
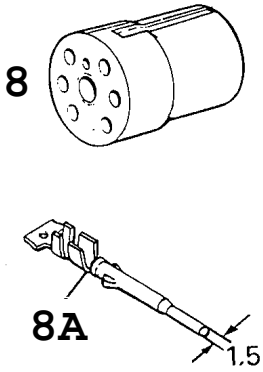
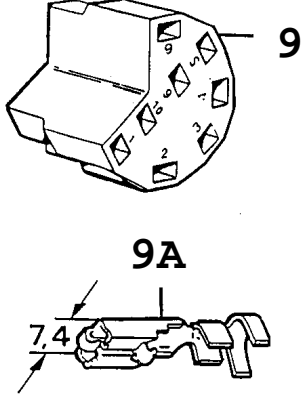
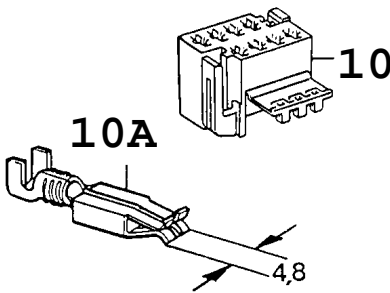
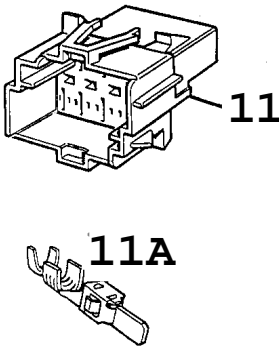
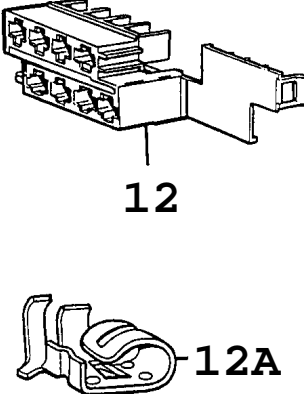
F4632 CAC93

Rep.	N° de pièce	Article	Usage	Qté
1	71 55 211	Cosse Note: Area 0,3-1,5 MM2.	40/253 152 003	X
2	71 55 229	Cosse Note: Area 0,3-1,5 MM2.	40/253 153 001	X
3	71 55 237	Cosse Note: Area 1,0-2,6 MM2.	40/253 172 001	X
4	71 17 880	Cosse Note: Area 1,0-2,6 MM2.	40/253 173 009	X
5	78 29 617	Cosse Note: Area 1,0-2,6 MM2.	40/253 174 007	X
6	79 59 349	Cosse Note: Area 1,0-2,6 MM2.		X
7	71 55 658	Cosse Note: Area 2,7-6,6 MM2.	40/253 210 009	X
8	78 29 666	Cosse Note: Area 2,7-6,6 MM2.	40/253 211 007	X
9	78 29 674	Cosse Note: Area 2,7-6,6 MM2.	40/253 212 005	X
9	79 77 556	Cosse Note: Area 1,0-2,5 MM2.	GROUND ABS	X
10	79 69 231	Cosse Note: Area 1,0-3,4 MM2.		X
11	78 29 625	Raccord Note: Area 1,5-2,5 MM2.	40/253 195 002, NLS	X
11	78 29 682	Cosse Note: Area 3,0-6,0 MM2.	40/253 226 005	X
11	78 29 633	Boîtier contact Note: Area 1,5-2,5 MM2.	40/253 197 008, NLS	X
11	78 29 609	Cosse Note: Area 0,3-1,5 MM2.	40/253 168 009	X
12	78 29 641	Tubulure Note: Area 1,5-2,5 MM2.	40/253 196 000	X
13	85 22 542	Cosse Note: Area 0,8-2,5 MM2.	JOINT PIECE, FOR CONTACT HOUSING, 9503012	X
13	85 93 089	Cosse Note: Area 0,5-1,0 MM2.	JOINT PIECE TRUNK LID, HIGH MOUNTED STOP LIGHT, FOR CONTACT HOUSING, 9124181	X
14	91 20 775	Cosse Note: Area 0,5-1,0 MM2.	RELAY HORN, RELAY REAR DEMIST, RELAY AC, AC DIOD, LIGHT FOR CONTACT HOUSING 8533697, 9124157, 9507658	X
15	85 14 036	Cosse Note: Area 1,5-2,5 MM2.	EL-CENTRAL, EARTH	X
15	71 55 716	Cosse Note: Area 0,4-1,0 MM2.	EL-CENTRAL, DOOR SWITCH, CIGARETTE LIGHTER, DISTRIBUTOR TERMINAL, JOINT PIECE BRAKE LIGHT, FOR CONTACT HOUSING, 8516916	X
16	71 55 153	Cosse	FOR CONTACT HOUSING 7155112, 8558538, NLS-USE 8522534	X
16	79 72 029	Cosse Note: Area 1,0-2,5 MM2.	FOR CONTACT HOUSING, 8533697, 9503251, NLS-USE 8522534	X
16	79 71 708	Cosse Note: Area 0,5-1,5 MM2.	FOR CONTACT HOUSING 7155096, 7155112	X
16	85 82 454	Cosse Note: Area 0,5-1,5 MM2.	TEST CONNECTOR, FOR CONTACT HOUSING, 8558538	X
17	79 69 256	Cosse Note: Area 4,0-6,0 MM2.	EL-CENTRAL, RELAY DISTRIBUTION TERMINAL	X
18	81 35 147	Cosse Note: Area 0,75-1,0 MM2.	FOR CONTACT HOUSING 8135600	X
18	81 38 679	Cosse Note: Area 1,0-3,5 MM2.	FOR CONTACT HOUSING 8135600	X

Rep.	N° de pièce	Article	Usage	Qté
19	85 22 583	Cosse Note: Area 0,8-3,4 MM2.	FOR CONTACT HOUSING 8530099	X
20	85 93 964	Cosse Note: Area 0,5-1,5 MM2.	FOR CONTACT HOUSING 8521718, 8593964	X
20	95 19 398	Cosse Note: Area 0,8-1,5 MM2.	FOR CONTACT HOUSING, 9519406	X
20	95 26 401	Cosse Note: Area 0,2-0,56 MM2.	FOR CONTACT HOUSING, 9529512	X
21	85 09 846	Cosse Note: Area 0,5-1,4 MM2.	FOR CONTACT HOUSING 8378630, NLS-USE 8522575	X
21	85 30 107	Cosse Note: Area 0,5-1,5 MM2.	FOR CONTACT HOUSING 8530115	X
22	85 14 028	Cosse Note: Area 0,3-0,8 MM2.	TEMP SENSOR, OIL PRESSURE SENSOR, ALTERNATOR, FOR CONTACT HOUSING 8516916, NLS-USE 7155716	X
22	85 14 036	Cosse Note: Area 1,0-2,5 MM2.	STARTER, GROUND JOINT PIECE	X
23	85 21 593	Cosse Note: Area 0,5-1,5 MM2.	FAILUR SENSOR INTERVAL RELAY, FOR CONTACT HOUSING, 8544371 8574097, 8574121, 8579930 8593899, 8593907, 8593915 8593931, 8593949, 9123381 9506650	X
23	91 20 783	Cosse Note: Area 1,0-2,5 MM2.	AC DIOD FOR CONTACT HOUSING, 9124157, 9502048	X
23	91 20 791	Cosse Note: Area 2,5-4,0 MM2.	EL-CENTRAL, FAILUR SENSOR, RELAY AC, JOINT PIECE, REAR DEMIST, TIME RELAY AC, RELAY DIM DIP RELAY BELT WARNING RELAY FOG LIGHT EXTRA GEAR INDICATOR, HORN PUMP RELAY ABS, RELAY MOTOR, MAIN RELAY ABS RELAY IGNITION LOCK RELAY FLASHER UNIT, RELAY INTERIOR LIGHT INTERVAL RELAY, MAIN RELAY, RELAY FUEL PUMP COOLING FAN, RELAY DAY DRIVING LIGHT, FOR CONTACT HOUSING, 4069274 8533655, 9122789, 9122797 9124090, 9124157, 9124165 9124173, 9125543, 9519422	X
23	40 61 586	Cosse Note: Area 1,0-2,5 MM2.	FOR CONTACT HOUSING 4060885, 4061446	X
24	85 21 676	Cosse Note: Area 0,5-1,5 MM2.	SPOTLIGHT, LIGHT ASH TRAY, FOR CONTACT HOUSING 8521692, NLS-USE 8522526	X
24	85 21 684	Cosse Note: Area 1,0-2,5 MM2.	FOR CONTACT HOUSING 8521692, NLS-USE 8522526	X
24	85 82 421	Cosse Note: Area 0,5-1,5 MM2.	FOR CONTACT HOUSING 8521692, NLS-USE 8522526	X
25	85 33 028	Cosse Note: Area 0,5-1,5 MM2.	FOR CONTACT HOUSING 8533184, NLS-USE 8582439	X
26	85 41 203	Cosse Note: Area 0,5-1,5 MM2.	SPOTLIGHT, FOR SPOTLIGHT, FOR CONTACT HOUSING 8541229 8544363, 8574949, 9507658, NLS-USE 8560476	X
27	85 60 476	Cosse Note: Area 0,9-2,0 MM2.	FOR CONTACT HOUSING 8541229	X

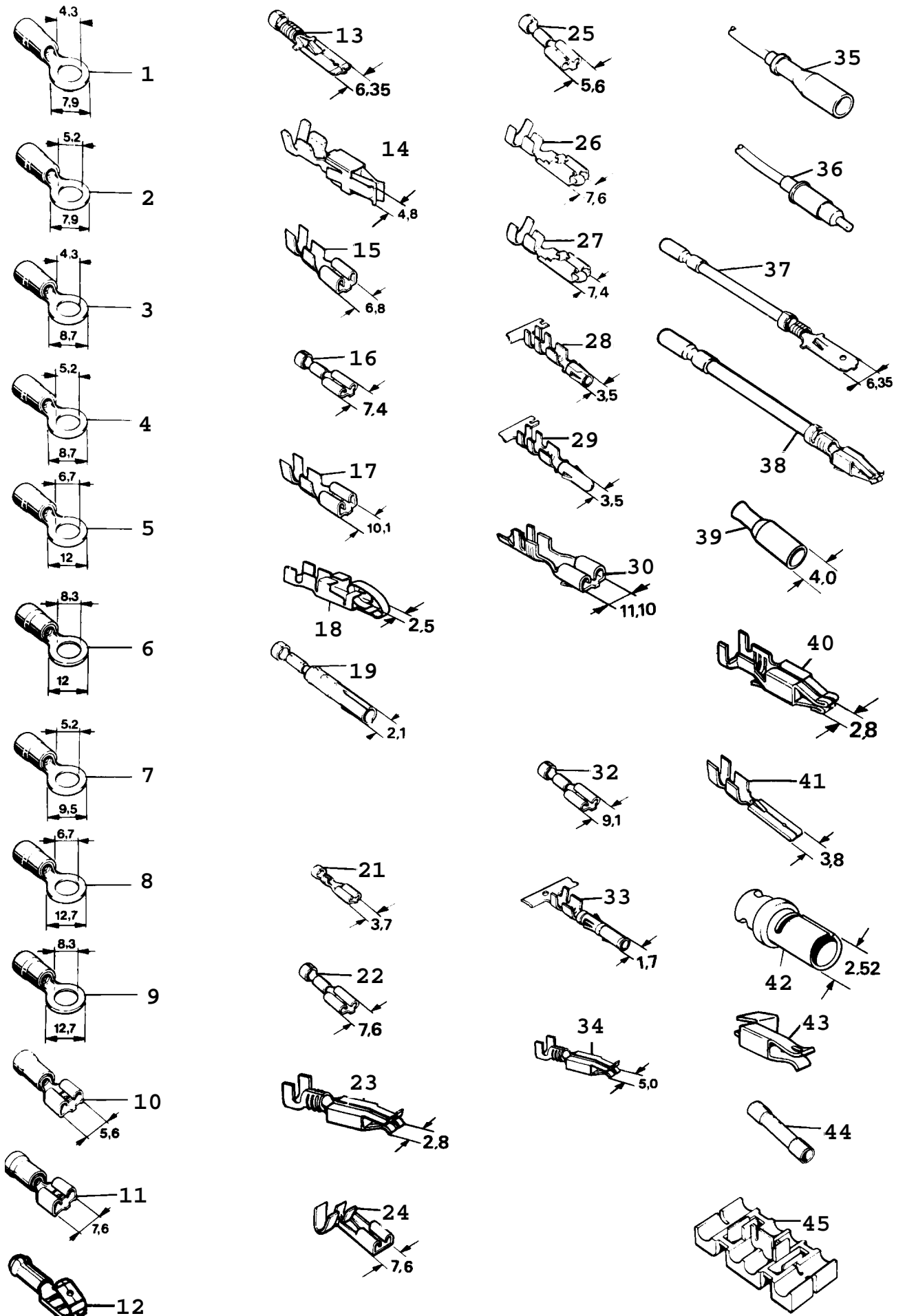
Rep.	N° de pièce	Article	Usage	Qté
27	85 41 211	Cosse Note: Area 2,5-4,0 MM2.	FOR CONTACT HOUSING 8544363	X
28	85 44 298	Cosse Note: Area 0,5-2,0 MM2.	FOR CONTACT HOUSING 8521700, 8564919, 9525106, NLS-USE 8582595	X
28	85 44 306	Cosse Note: Area 2,0-4,0 MM2.	REAR DEMIST	X
28	85 82 090	Cosse Note: Area 0,5-1,5 MM2.	FOR CONTACT HOUSING 9503525	X
28	85 82 595	Cosse Note: Area 0,5-2,0 MM2.	LIGHT NUMBER PLATE DOOR SWITCH, HIGH MOUNTED STOP LIGHT JOINT PIECE CENTRAL LOCK	X
29	85 44 314	Cosse Note: Area 0,5-2,0 MM2.	FOR CONTACT HOUSING 8521718, 8564924 9525114, NLS-USE 8582603	X
29	85 44 322	Cosse Note: Area 2,0-4,0 MM2.	FOR CONTACT HOUSING 8564924	X
30	85 69 139	Cosse	EL-CENTRAL, RELAY DISTRIBUTION TERMINAL	X
30	95 15 024	Cosse Note: Area 6,0-8,5 MM2.	FUSE BOX, RELAY DISTRIBUTION TERMINAL, EL- CENTRAL	X
31	95 27 771	Cosse	FOR CONTACT HOUSING 9527755	X
32	85 82 413	Cosse	FOR CONTACT HOUSING 7155021	X
33	85 87 552	Cosse Note: Area 0,5-1,5 MM2.	FOR CONTACT HOUSING 8521700, 9512591 9525106	X
33	85 87 560	Cosse Note: Area 1,0-2,5 MM2.	FOR CONTACT HOUSING 9512591	X
34	95 21 972	Cosse Note: Area 0,5-1,0 MM2.	RELAY GROUND SHEET	X
34	95 21 980	Cosse Note: Area 1,5-2,5 MM2.	RELAY GROUND SHEET, NLS-USE 30520556	X
35	40 63 970	Cosse Note: Area 0,5-1,0 MM2.	FOR CONTACT HOUSING 4060869, 9565045	X
36	78 74 498	Connexion Note: Area 0,2-1,5 MM2.	FOR CONTACT HOUSING 9503277, 9503316, 9503418 9503434, 9503475, 9506668 9519679	X
36	85 47 796	Bloc connexion Note: Area 0,2-2,5 MM2.	SIDE DIRECTION INDIC FOR CONTACT HOUSING, 9503277, 9503319, 9503418 9503475, 9519679	X
36	85 47 804	Bloc connexion Note: Area 2,5-4,0 MM2.		X
37	78 74 506	Connexion Note: Area 0,2-1,5 MM2.	FOR CONTACT HOUSING 9501685, 9503426, 9506668	X
37	85 47 770	Bloc connexion Note: Area 0,2-2,5 MM2.	FOR CONTACT HOUSING 9501685, 9503327, 9503426 9503442, 9506668	X
38	85 22 542	Cosse Note: Area 1,0-2,6 MM2.	FOR CONTACT HOUSING, 7155120	X
39	85 22 617	Cosse Note: Area 1,0-2,6 MM2.	AC	X
40	85 82 579	Cosse Note: Area 0,5-1,0 MM2.	JOINT PIECE	X
41	95 08 706	Cosse Note: Area 0,75-1,5 MM2.	RELAY GROUND SHEET, NLS-USE 30520560	X

Rep.	N° de pièce	Article	Usage	Qté
41	91 20 668	Cosse Note: Area 0,75-1,5 MM2.	BULB CONTROL INTERVAL RELAY, TIME RELAY AC, RELAY BELT WARNING, FOR CONTACT HOUSING, 8579930, 8593899 8593907, 8593915, 8593931 8593949, 8597064, 9123381 9123548, 9123555, 9125519, NLS-USE 30520560 9519414, 9519455, 9564089 9566266, 9566282	X
41	91 20 957	Cosse Note: Area 1,0-2,5 MM2.	FOR CONTACT HOUSING 4061479, 4061503, 4068441 4068888, 4069274, 9503475 9518713, 9525031, 9565045, NLS-USE 30520560	X
42	95 52 100	Cosse Note: Area 0,75-1,5 MM2.	FOR CONTACT HOUSING, 4061495, 4069928 9122557, 9518739	X
42	95 52 126	Cosse Note: Area 0,5-1,0 MM2.	FOR CONTACT HOUSING, 9122557, NLS-USE 9552100	X
42	40 63 376	Cosse Note: Area 1,5-2,5 MM2.	FOR CONTACT HOUSING, 4060877	X
43	95 52 175	Cosse	FOR CONTACT HOUSING 9552167	X
43	95 09 746	Cosse	FOR CONTACT HOUSING 9512930	X
45	71 55 203	Douille raccord Note: Area 0,3-1,5 MM2.	40/253 164 008	X
45	71 55 146	Douille raccord Note: Area 1,0-2,6 MM2.	40/253 188 007	X
45	71 55 633	Douille raccord Note: Area 2,7-6,6 MM2.	40/253 221 006	X
46	85 87 198	Joint câble Note: Area 0,5-0,75 MM2.		X
46	85 21 668	Joint câble Note: Area 0,8-2,1 MM2.		X

 <p>1</p> <p>1A</p>	 <p>2</p> <p>2A</p> <p>2.8</p>	 <p>3</p> <p>3A</p>
 <p>4</p> <p>4A</p> <p>4.8</p>	 <p>5</p> <p>5A</p> <p>5B</p> <p>2.8</p>	 <p>6</p> <p>6A</p> <p>7.4</p>
 <p>7</p> <p>7A</p> <p>3.5</p>	 <p>8</p> <p>8A</p> <p>1.5</p>	 <p>9</p> <p>9A</p> <p>7.4</p>
 <p>10</p> <p>10A</p> <p>4.8</p>	 <p>11</p> <p>11A</p>	 <p>12</p> <p>12A</p>

F8552 CAC94

Rep.	N° de pièce	Article	Usage	Qté
1	95 03 475	Boîtier contact 6-poles, douille	JOINT PIECE	X
1A	85 47 796	Bloc connexion		X
1A	78 74 498	Connexion		X
2	41 13 809	Boîtier de connecteur 6-poles, douille	WASHER MOTOR, CENTRAL LOCK, JOINT PIECE BOOT LID, JOINT PIECE ENGINE, NLS-USE 12788966	X
2A	40 61 586	Cosse	AREA, 1, 0-2, 5 MM2	X
3	85 93 949	Boîtier contact 7-poles, douille	VALVE, OUTPOT STAGE	X
3A	91 20 668	Cosse	AREA, 0, 75-1, 5 MM2, NLS-USE 30520560	X
4	91 22 797	Boîtier contact 7-poles, douille	THEFT ALARM, SWITCH DIRECTION INDICATOR, SWITCH SPEED CONTROL TAIL LIGHT	X
4	91 20 791	Cosse	AREA, 2, 5-4, 0 MM2	X
5	91 23 381	Boîtier contact 7-poles, douille	SWITCH ELECTRIC MIRROR	X
5A	85 21 593	Cosse	AREA, 0, 5-1, 5 MM2	X
5A	91 20 957	Cosse	AREA, 1, 0-2, 5 MM2, NLS-USE 30520560	X
5B	91 20 668	Cosse	AREA, 0, 75-1, 5 MM2, NLS-USE 30520560	X
6	95 03 251	Boîtier contact 7-poles, douille	HEATING FAN	X
6A	79 72 029	Cosse	AREA, 1, 0-2, 5 MM2, NLS-USE 8522534	X
6A	79 68 068	Cosse	AREA, 4, 0-6, 0 MM2	X
7	85 21 700	Contact 7-poles, douille	JOINT PIECE	X
7A	85 82 595	Cosse	AREA, 0, 5-2, 0 MM2	X
8	85 21 718	Boîtier contact 7-poles, broche	JOINT PIECE CABLE HAR- NESS DOORS	X
8A	85 82 603	Cosse	AREA, 0, 5-2, 0 MM2	X
9	85 44 363	Boîtier contact 8-poles, douille	SWITCH LIGHT	X
9A	85 60 476	Cosse	AREA, 0, 9-2, 0 MM2	X
9A	85 41 211	Cosse	AREA, 2, 5-4, 0 MM2	X
10	91 24 090	Boîtier contact 8-poles, douille	SWITCH REAR DEMIST, DCC SWITCH SUN ROOF REGULA- TOR, TOW HOOK SWITCH CENTRAL LOCK ON/OFF, JOINT PIECE CABLE HARNESS ROOF JOINT PICE TRUN LID	X
10A	91 20 791	Cosse	AREA, 2, 5-4, 0 MM2	X
11	41 17 768	Boîtier de connecteur 8-poles, broche	HEATING PAD, JOINT PIECE MAIN CABLE HAR- NESS	X
11A	41 15 580	Cosse	AREA, 1, 0-2, 5 MM2	X
12	95 03 525	Boîtier contact 8-poles, douille	SWITCH WINDOW REGULATOR	X
12A	85 82 090	Cosse	AREA, 0, 5-1, 5 MM2	X



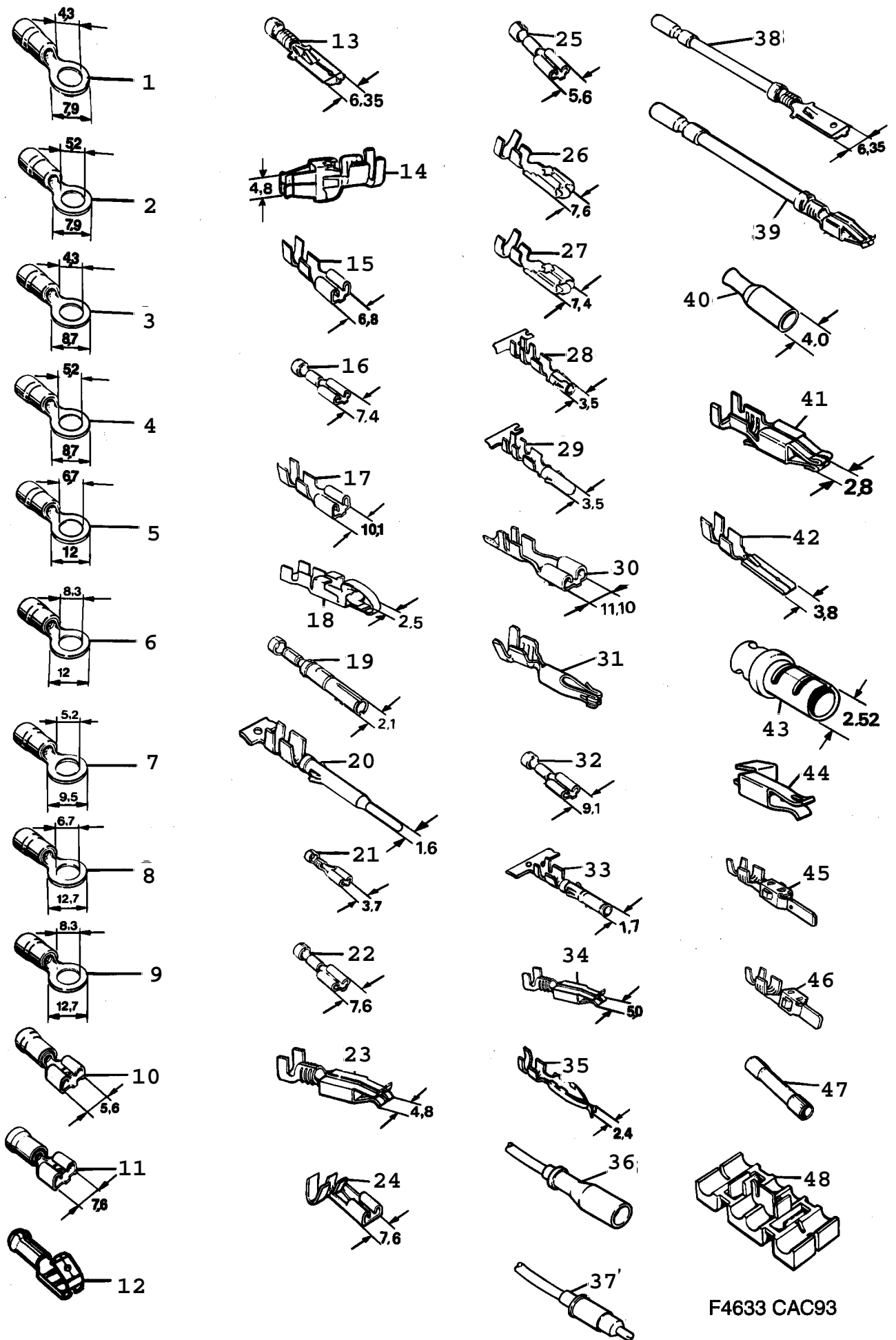
F0766 - 9000

Rep.	N° de pièce	Article	Usage	Qté
1	71 55 211	Cosse Note: Code couleur rouge (section 0,25-1,6 MM2).	40/253 152 003	X
2	71 55 229	Cosse Note: Code couleur rouge (section 0,25-1,6 MM2).	40/253 153 001	X
3	71 55 237	Cosse Note: Code couleur bleu (section 1,0-2,6 MM2).	40/253 172 001	X
4	71 17 880	Cosse Note: Code couleur bleu (section 1,0-2,6 MM2).	40/253 173 009	X
5	78 29 617	Cosse Note: Code couleur bleu (section 1,0-2,6 MM2).	40/253 174 007	X
6	79 59 349	Cosse Note: Code couleur bleu (section 1,0-2,6 MM2).		X
7	71 55 658	Cosse Note: Code couleur jaune (section 2,7-6,6 MM2).	40/253 210 009	X
8	78 29 666	Cosse Note: Code couleur jaune (section 2,7-6,6 MM2).	40/253 211 007	X
9	78 29 674	Cosse Note: Code couleur jaune (section 2,7-6,6 MM2).	40/253 212 005	X
10	79 69 231	Cosse Note: Code couleur bleu (section 1,0-3,4 MM2).		X
11	78 29 625	Raccord Note: Code couleur bleu (section 1,5-2,5 MM2).	40/253 195 002, NLS	X
11	78 29 682	Cosse Note: Code couleur jaune (section 3,0-6,0 MM2).	40/253 226 005	X
11	78 29 633	Boîtier contact Note: Code couleur bleu (section 1,5-2,5 MM2).	40/253 197 008, NLS	X
11	78 29 609	Cosse Note: Code couleur rouge (section 0,3-1,5 MM2).	40/253 168 009	X
12	78 29 641	Tubulure Note: Code couleur bleu (section 1,5-2,5 MM2).	45/30 24 650	X
13	71 55 062	Cosse Note: Area 0,8-2,5 MM2.	JOINT PIECE, FOR CONTACT HOUSING, 9124181 9502998, 9503012, NLS-USE 8522542	X
13	85 16 957	Cosse Note: Area 4,0-6,0 MM2.	FOR CONTACT HOUSING 9124181	X
13	85 82 637	Cosse Note: Area 0,8-2,1 MM2.	FOR CONTACT HOUSING 7155104	X
14	91 20 775	Cosse Note: Area 0,5-1,0 MM2.	EL-CENTRAL, FAILUR SENSOR, FLASHER UNIT, FUEL PUMP RELAY, MAIN RELAY, RELAY HORN, RELAY REAR DEMIST, RELAY AC INTERVAL RELAY, AC DIOD INTERIOR LIGHT, IGNITION SETTING, LIGHT, FOR CONTACT HOUSING 8533697 9122797, 9124090, 9124157 9124173, 9124157, 9124165 9507658	X
15	71 55 039	Cosse Note: Area 1,5-2,5 MM2.	EL-CENTRAL, EARTH FOR CONTACT HOUSING 8516916, NLS	X
15	71 55 047	Cosse Note: Area 3,0-6,0 MM2.	EARTH, NLS	X
15	71 55 716	Cosse Note: Area 0,4-1,0 MM2.	EL-CENTRAL, JOINT PIECE, CIGARETTE LIGHTER FOR CONTACT HOUSING 8516916	X
16	71 55 153	Cosse Note: Area 0,8-2,1 MM2.	FOR CONTACT HOUSING 8558538, NLS-USE 8522534	X
16	79 72 029	Cosse Note: Area 1,0-2,5 MM2.	FOR CONTACT HOUSING, 8533697, 9120791 9503251, NLS-USE 8522534	X
16	79 71 708	Cosse Note: Area 0,5-1,5 MM2.	FOR CONTACT HOUSING 7155112, 8533697	X

Rep.	N° de pièce	Article	Usage	Qté
16	79 68 068	Cosse Note: Area 4,0-6,0 MM2.	FOR CONTACT HOUSING 8533697	X
16	85 03 476	Cosse Note: Area 1,0-2,5 MM2.	FOR CONTACT HOUSING 8558538, NLS	X
16	85 82 454	Cosse Note: Area 0,5-1,5 MM2.	JOINT PIECE, FOR CONTACT HOUSING, 8558538 9512591	X
17	79 69 256	Cosse Note: Area 4,0-6,0 MM2.	EL-CENTRAL	X
18	81 35 147	Cosse Note: Area 0,75-1,0 MM2.	FOR CONTACT HOUSING 8135600	X
18	81 38 679	Cosse Note: Area 1,0-3,5 MM2.	FOR CONTACT HOUSING 8135600	X
19	85 22 583	Cosse Note: Area 0,5-1,0 MM2.	FOR CONTACT HOUSING 8530099(8503153)	X
21	85 09 846	Cosse Note: Area 0,5-1,4 MM2.	FOR CONTACT HOUSING 8378630, NLS-USE 8522575	X
21	85 30 107	Cosse Note: Area 0,5-1,5 MM2.	FOR CONTACT HOUSING 8530115	X
22	85 14 028	Cosse Note: Area 0,3-0,8 MM2.	TEMP SENSOR, OIL PRESSURE SENSOR, ALTERNATOR, FOR CONTACT HOUSING 8516916, NLS-USE 7155716	X
22	85 14 036	Cosse Note: Area 1,0-2,5 MM2.	RELAY GROUND SHEET FOR CONTACT HOUSING 8516916	X
23	85 21 593	Cosse Note: Area 0,5-1,5 MM2.	FAILUR SENSOR INTERVAL RELAY, FOR CONTACT HOUSING, 8544371 8574097, 8574121, 8579930 8593899, 8593907, 8593915 8593931, 8593949, 9123381 9506650	X
23	91 20 783	Cosse Note: Area 1,0-2,5 MM2.	EL-CENTRAL FAILUR SENSOR, RELAY LIGHT, RELAY FUEL PUMP, MAIN RELAY, RELAY HORN, RELAY REAR DEMIST, RELAY AC INTERVAL RELAY, AC DIOD JOINT PIECE, FOR CONTACT HOUSING, 9124090, 9124157 9124165, 9124173, 9122797 9502048	X
23	91 20 791	Cosse Note: Area 2,5-4,0 MM2.	EL-CENTRAL, FAILUR SENSOR, RELAY AC, RELAY IGNITION LOCK, JOINT PIECE, REAR DEMIST, FOR CONTACT HOUSING 9122797 9124090	X
24	85 21 676	Cosse Note: Area 0,5-1,5 MM2.	SPOTLIGHT, LIGHT ASH TRAY, FOR CONTACT HOUSING 8521692, NLS-USE 8522526	X
24	85 21 684	Cosse Note: Area 1,0-2,5 MM2.	FOR CONTACT HOUSING 8521692, 9518416, NLS-USE 8522526	X
24	85 22 526	Cosse Note: Area 0,5-1,5 MM2.	FOR CONTACT HOUSING 8521692(8582421)	X
25	85 44 389	Cosse Note: Area 0,5-1,5 MM2.	FOR CONTACT HOUSING 8544371	X
25	85 33 028	Cosse Note: Area 0,5-1,5 MM2.	FOR CONTACT HOUSING 8533184, NLS-USE 8582439	X
26	85 41 203	Cosse Note: Area 0,5-1,5 MM2.	JOINT PIECE, FOR, NLS-USE 8560476 CONTACT HOUSING 7155104 8541229, 8544363, 8574949 9507658	X
27	85 60 476	Cosse Note: Area 0,9-2,0 MM2.	FOR CONTACT HOUSING 8541229	X

Rep.	N° de pièce	Article	Usage	Qté
27	85 82 405	Cosse Note: Area 0,5-1,5 MM2.	FOR CONTACT HOUSING 8541229, NLS-USE 8560476	X
27	85 41 211	Cosse Note: Area 2,5-4,0 MM2.	JOINT PIECE, FOR CONTACT HOUSING 8541229 8544363	X
28	85 44 298	Cosse Note: Area 0,5-2,0 MM2.	JOINT PIECE, FOR CONTACT HOUSING, 8564916 8561631, 9503293, NLS-USE 8582595	X
28	85 44 306	Cosse Note: Area 2,0-4,0 MM2.	JOINT PIECE	X
28	85 82 090	Cosse Note: Area 0,5-1,5 MM2.	FOR CONTACT HOUSING 9503525	X
29	85 44 314	Cosse Note: Area 0,5-2,0 MM2.	FOR CONTACT HOUSING 8561623, 8564924, NLS-USE 8582603	X
29	85 44 322	Cosse Note: Area 2,0-4,0 MM2.	FOR CONTACT HOUSING 8564924	X
30	85 69 139	Cosse Note: Area 4,0-6,0 MM2.	EL-CENTRAL	X
32	85 82 413	Cosse Note: Area 1,3-3,4 MM2.	JOINT PIECE, FOR CONTACT HOUSING 7155021	X
33	85 87 552	Cosse Note: Area 0,5-1,5 MM2.	FOR CONTACT HOUSING 9506643, 9512591	X
33	85 87 560	Cosse Note: Area 1,0-2,5 MM2.	FOR CONTACT HOUSING 9512591	X
34	91 20 767	Cosse Note: Area 4,0-6,0 MM2.	EL-CENTRAL, RELAY REAR DEMIST, RELAY FUEL PUMP, FOR CONTACT HOUSING 9122789	X
34	95 21 972	Cosse Note: Area 0,5-1,0 MM2.	RELAY EARTH SHEET	X
34	95 21 980	Cosse Note: Area 1,5-2,5 MM2.	RELAY EARTH SHEET, NLS-USE 30520556	X
34	91 20 668	Cosse Note: Area 0,75-1,5 MM2.	FOR CONTACT HOUSING 9123399, NLS-USE 30520560	X
35	78 74 498	Connexion	FOR CONTACT HOUSING 9503277, 9503316, 9503319 9503418, 9503434, 9503475	X
36	78 74 506	Connexion	FOR CONTACT HOUSING 9501685, 9503327, 9503319 9506668	X
37	85 22 542	Cosse Note: Code couleur bleu (section 1,0-2,6 MM2).	FOR CONTACT HOUSING, 7155120	X
38	85 22 617	Cosse Note: Area 1,0-2,6 MM2.	US, BULB CONTROL, AC INTERVAL RELAY, BELT WARNING FOR CONTACT HOUSING, 8533697, 8544371 8574097, 8579930, 8586802 8593899, 8593907, 8593915 8593923, 8593931, 8593949 9123381, 9506650	X
39	85 82 579	Cosse Note: Area 0,5-1,0 MM2.	JOINT PIECE	X
40	95 08 706	Cosse Note: Area 0,75-1,5 MM2.	RELAY GROUND SHEET, NLS-USE 30520560	X
40	95 08 748	Cosse Note: Area 1,5-2,5 MM2.	FOR CONTACT HOUSING, 9123399, 9514803, NLS-USE 30520560	X
41	95 52 100	Cosse Note: Area 0,75-1,5 MM2.	FOR CONTACT HOUSING, 9122557	X
42	95 52 175	Cosse	FOR CONTACT HOUSING 9552159, 9552167	X
44	71 55 203	Douille raccord Note: Code couleur rouge (section 0,25-1,6 MM2).	40/253 164 008	X

Rep.	N° de pièce	Article	Usage	Qté
44	71 55 146	Douille raccord Note: Code couleur bleu (section 1,0-2,6 MM2).	40/253 188 007	X
44	71 55 633	Douille raccord Note: Code couleur jaune (section 2,7-6,6 MM2).	40/253 221 006	X
45	85 87 198	Joint câble Note: Area 0,5-0,75 MM2.		X
45	85 21 668	Joint câble Note: Area 0,8-2,1 MM2.		X



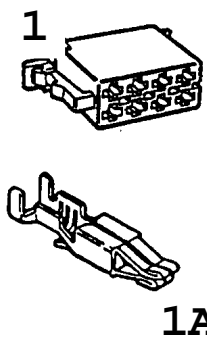
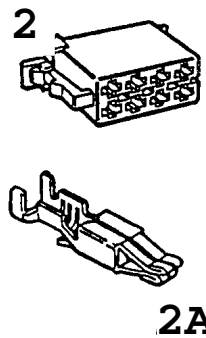
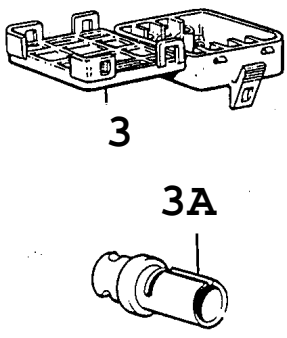
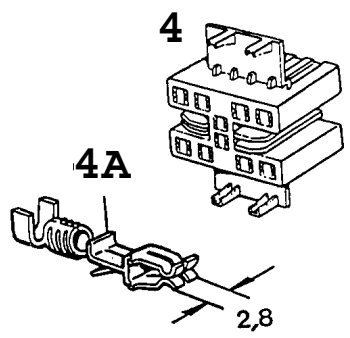
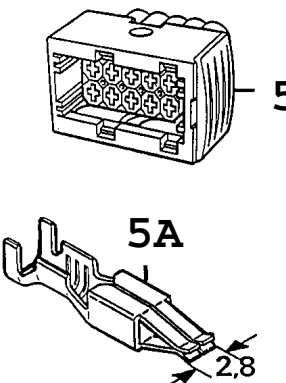
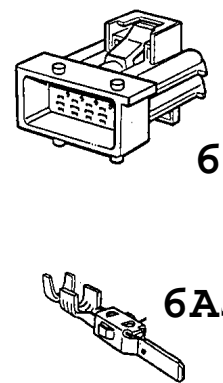
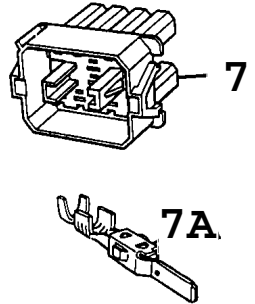
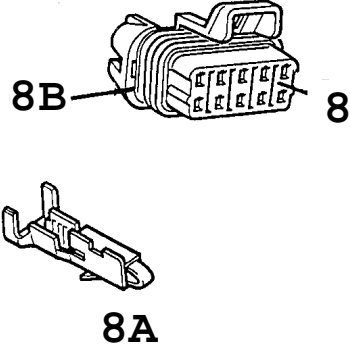
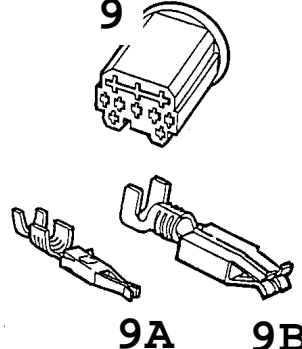
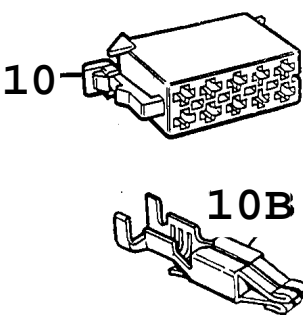
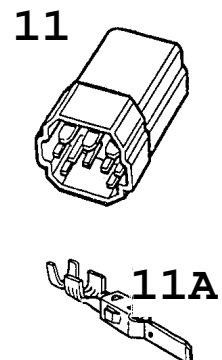
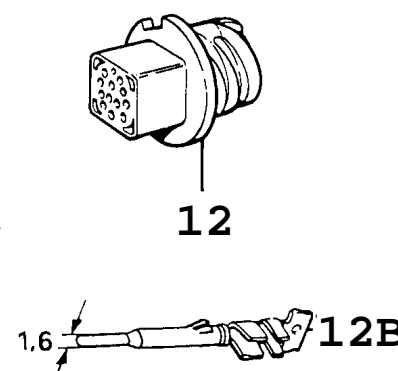
F4633 CAC93

Rep.	N° de pièce	Article	Usage	Qté
1	71 55 211	Cosse Note: Area 0,3-1,5 MM2.	40/253 152 003	X
2	71 55 229	Cosse Note: Area 0,3-1,5 MM2.	40/253 153 001	X
3	71 55 237	Cosse Note: Area 1,0-2,6 MM2.	40/253 172 001	X
4	71 17 880	Cosse Note: Area 1,0-2,6 MM2.	40/253 173 009	X
5	78 29 617	Cosse Note: Area 1,0-2,6 MM2.	40/253 174 007	X
6	79 59 349	Cosse Note: Area 1,0-2,6 MM2.		X
7	71 55 658	Cosse Note: Area 2,7-6,6 MM2.	40/253 210 009	X
8	78 29 666	Cosse Note: Area 2,7-6,6 MM2.	40/253 211 007	X
9	78 29 674	Cosse Note: Area 2,7-6,6 MM2.	40/253 212 005	X
9	79 77 556	Cosse Note: Area 1,0-2,5 MM2.	GROUND ABS	X
10	79 69 231	Cosse Note: Area 1,0-3,4 MM2.		X
11	78 29 625	Raccord Note: Area 1,5-2,5 MM2.	40/253 195 002, NLS	X
11	78 29 682	Cosse Note: Area 3,0-6,0 MM2.	40/253 226 005	X
11	78 29 633	Boîtier contact Note: Area 1,5-2,5 MM2.	40/253 197 008, NLS	X
11	78 29 609	Cosse Note: Area 0,3-1,5 MM2.	40/253 168 009	X
12	78 29 641	Tubulure Note: Area 1,5-2,5 MM2.	40/253 196 000	X
13	85 22 542	Cosse Note: Area 0,8-2,5 MM2.	JOINT PIECE	X
13	85 93 089	Cosse Note: Area 0,5-1,0 MM2.	JOINT PIECE TRUNK LID, HIGH MOUNTED STOP LIGHT, FOR CONTACT HOUSING, 9124181	X
13	85 82 645	Cosse Note: Area 4,0-6,0 MM2.	FOR CONTACT HOUSING, 9503012	X
14	91 20 775	Cosse Note: Area 0,5-1,0 MM2.	RELAY HORN, RELAY REAR DEMIST, RELAY AC, AC DIOD, LIGHT FOR CONTACT HOUSING 8533697	X
15	85 14 036	Cosse Note: Area 1,5-2,5 MM2.	EL-CENTRAL, EARTH	X
15	71 55 716	Cosse Note: Area 0,4-1,0 MM2.	EL-CENTRAL, JOINT PIECE, DISTRIBUTOR TERMINAL, BRAKE LIGHT FOR CONTACT HOUSING 8516916	X
16	71 55 153	Cosse	FOR CONTACT HOUSING 7155112, 8558538, NLS-USE 8522534	X
16	79 72 029	Cosse Note: Area 1,0-2,5 MM2.	FOR CONTACT HOUSING, 8533697, 9503251, NLS-USE 8522534	X
16	79 71 708	Cosse Note: Area 0,5-1,5 MM2.	FOR CONTACT HOUSING 7155096, 7155112	X
16	85 82 454	Cosse Note: Area 0,5-1,5 MM2.	TEST CONNECTOR, FOR CONTACT HOUSING, 8558538	X
16	79 68 068	Cosse Note: Area 4,0-6,0 MM2.	FOR CONTACT HOUSING, 9503251	X
17	79 69 256	Cosse Note: Area 4,0-6,0 MM2.	EL-CENTRAL, RELAY DISTRIBUTION TERMINAL	X

Rep.	N° de pièce	Article	Usage	Qté
18	81 35 147	Cosse Note: Area 0,75-1,0 MM2.	FOR CONTACT HOUSING 8135600	X
18	81 38 679	Cosse Note: Area 1,0-3,5 MM2.	FOR CONTACT HOUSING 8135600	X
19	85 22 583	Cosse Note: Area 0,8-3,4 MM2.	FOR CONTACT HOUSING 8530099	X
20	85 93 964	Cosse Note: Area 0,5-1,5 MM2.	FOR CONTACT HOUSING 8521718, 8593964	X
20	95 19 398	Cosse Note: Area 0,8-1,5 MM2.	FOR CONTACT HOUSING, 9519406	X
20	95 26 401	Cosse Note: Area 0,2-0,56 MM2.	FOR CONTACT HOUSING, 9529512	X
21	85 09 846	Cosse Note: Area 0,5-1,4 MM2.	FOR CONTACT HOUSING 8378630, NLS-USE 8522575	X
21	85 30 107	Cosse Note: Area 0,5-1,5 MM2.	FOR CONTACT HOUSING 8530115	X
22	85 14 028	Cosse Note: Area 0,3-0,8 MM2.	TEMP SENSOR, OIL PRESSURE SENSOR, ALTERNATOR, FOR CONTACT HOUSING 8516916, NLS-USE 7155716	X
22	85 14 036	Cosse Note: Area 1,0-2,5 MM2.	GROUND, JOINT	X
23	85 21 593	Cosse Note: Area 0,5-1,5 MM2.	PIECE FAILUR SENSOR INTERVAL RELAY, FOR CONTACT HOUSING, 8544371 8574097, 8574121, 8579930 8593899, 8593907, 8593915 8593931, 8593949, 9123381 9506650	X
23	91 20 783	Cosse Note: Area 1,0-2,5 MM2.	AC DIOD FOR CONTACT HOUSING, 9124157, 9502048	X
23	91 20 791	Cosse Note: Area 2,5-4,0 MM2.	EL-CENTRAL, FAILUR SENSOR, RELAY AC, JOINT PIECE, REAR DEMIST, TIME RELAY AC, RELAY DIM DIP RELAY BELT WARNING RELAY FOG LIGHT EXTRA GEAR INDICATOR, HORN PUMP RELAY ABS, RELAY MOTOR, MAIN RELAY ABS RELAY IGNITION LOCK RELAY FLASHER UNIT, RELAY INTERIOR LIGHT INTERVAL RELAY, MAIN RELAY, RELAY FUEL PUMP COOLING FAN, RELAY DAY DRIVING LIGHT, FOR CONTACT HOUSING, 4069274 8533655, 9122789, 9122797 9124090, 9124157, 9124165 9124173, 9125543, 9507658 9519422	X
23	40 61 586	Cosse Note: Area 1,0-2,5 MM2.	FOR CONTACT HOUSING 4060885, 4061446	X
24	85 21 676	Cosse Note: Area 0,5-1,5 MM2.	SPOTLIGHT, LIGHT ASH TRAY, FOR CONTACT HOUSING 8521692, NLS-USE 8522526	X
24	85 21 684	Cosse Note: Area 1,0-2,5 MM2.	FOR CONTACT HOUSING 8521692, NLS-USE 8522526	X
24	85 82 421	Cosse Note: Area 0,5-1,5 MM2.	FOR CONTACT HOUSING 8521692, NLS-USE 8522526	X
24	85 22 526	Cosse Note: Area 0,5-1,5 MM2.	LIGHT INSTEP	X
25	85 33 028	Cosse Note: Area 0,5-1,5 MM2.	FOR CONTACT HOUSING 8533184, NLS-USE 8582439	X

Rep.	N° de pièce	Article	Usage	Qté
26	85 41 203	Cosse Note: Area 0,5-1,5 MM2.	SPOTLIGHT, LIGHT INSTEP, BELT WARNING, FOR CONTACT HOUSING 8541229 8544363, 8574949, 9507658, NLS-USE 8560476	X
27	85 60 476	Cosse Note: Area 0,9-2,0 MM2.	FOR CONTACT HOUSING 8541229	X
27	85 41 211	Cosse Note: Area 2,5-4,0 MM2.	FOR CONTACT HOUSING 8544363	X
27	85 22 534	Cosse Note: Area 0,5-1,5 MM2.	LIGHT INSTEP	X
28	85 44 298	Cosse Note: Area 0,5-2,0 MM2.	FOR CONTACT HOUSING 8521700, 8564919, 9525106, NLS-USE 8582595	X
28	85 44 306	Cosse Note: Area 2,0-4,0 MM2.	REAR DEMIST	X
28	85 82 090	Cosse Note: Area 0,5-1,5 MM2.	FOR CONTACT HOUSING 9503525	X
28	85 82 595	Cosse Note: Area 0,5-2,0 MM2.	LIGHT NUMBER PLATE DOOR SWITCH, HIGH MOUNTED STOP LIGHT	X
29	85 44 314	Cosse Note: Area 0,5-2,0 MM2.	FOR CONTACT HOUSING 8521718, 8564924 9525114, NLS-USE 8582603	X
29	85 44 322	Cosse Note: Area 2,0-4,0 MM2.	FOR CONTACT HOUSING 8564924	X
30	85 69 139	Cosse	EL-CENTRAL, RELAY DISTRIBUTION TERMINAL	X
30	95 15 024	Cosse Note: Area 6,0-8,5 MM2.	FUSE BOX, RELAY DISTRIBUTION TERMINAL, EL- CENTRAL	X
31	95 27 771	Cosse	FOR CONTACT HOUSING 9527755	X
32	85 82 413	Cosse	FOR CONTACT HOUSING 7155021	X
33	85 87 552	Cosse Note: Area 0,5-1,5 MM2.	FOR CONTACT HOUSING 8521700, 9512591 9525106	X
33	85 87 560	Cosse Note: Area 1,0-2,5 MM2.	FOR CONTACT HOUSING 9512591	X
33	95 25 817	Cosse Note: Area 0,2-0,56 MM2.	FOR CONTACT HOUSING 9529538	X
34	95 21 972	Cosse Note: Area 0,5-1,0 MM2.	RELAY GROUND SHEET	X
34	95 21 980	Cosse Note: Area 1,5-2,5 MM2.	RELAY GROUND SHEET, NLS-USE 30520556	X
35	40 63 970	Cosse Note: Area 0,5-1,0 MM2.	FOR CONTACT HOUSING 4060869, 9565045	X
36	78 74 498	Connexion Note: Area 0,2-1,5 MM2.	FOR CONTACT HOUSING 9503277, 9503316, 9503418 9503434, 9503475, 9506668 9519679	X
36	85 47 796	Bloc connexion Note: Area 0,2-2,5 MM2.	SIDE DIRECTION INDI FOR CONTACT HOUSING, 9503277, 9503319, 9503418 9503475, 9519679	X
36	85 47 804	Bloc connexion Note: Area 2,5-4,0 MM2.		X
37	78 74 506	Connexion Note: Area 0,2-1,5 MM2.	FOR CONTACT HOUSING 9501685, 9503426, 9506668	X
37	85 47 770	Bloc connexion Note: Area 0,2-2,5 MM2.	FOR CONTACT HOUSING 9503426, 9503442, 9506668	X
38	85 22 542	Cosse Note: Area 1,0-2,6 MM2.	FOR CONTACT HOUSING, 7155120	X

Rep.	N° de pièce	Article	Usage	Qté
39	85 22 617	Cosse Note: Area 1,0-2,6 MM2.	AC	X
40	85 82 579	Cosse Note: Area 0,5-1,0 MM2.	JOINT PIECE	X
41	95 08 706	Cosse Note: Area 0,75-1,5 MM2.	RELAY GROUND SHEET, NLS-USE 30520560	X
41	91 20 668	Cosse Note: Area 0,75-1,5 MM2.	BULB CONTROL INTERVAL RELAY, TIME RELAY AC, RELAY BELT WARNING, FOR CONTACT HOUSING, 8579930, 8593899 8593907, 8593915, 8593931 8593949, 8597064, 9123381 9123548, 9123555, 9125519, NLS-USE 30520560 9519414, 9519455, 9564089 9566266, 9566282	X
41	91 20 957	Cosse Note: Area 1,0-2,5 MM2.	FOR CONTACT HOUSING 4061479, 4061503, 4068441 4069274, 4109310, 8574949 8593923, 9123399, 9123548 9503475, 9514803, 9525031 9565045, 9566282, NLS-USE 30520560	X
42	95 52 100	Cosse Note: Area 0,75-1,5 MM2.	FOR CONTACT HOUSING, 4061495, 4069928 9122557, 9518713, 9518739	X
42	95 52 126	Cosse Note: Area 0,5-1,0 MM2.	FOR CONTACT HOUSING, 9122557, NLS-USE 9552100	X
42	40 63 376	Cosse Note: Area 1,5-2,5 MM2.	FOR CONTACT HOUSING, 4060877	X
43	95 52 175	Cosse	FOR CONTACT HOUSING 9552167	X
43	95 09 746	Cosse	FOR CONTACT HOUSING 9512930	X
45	71 55 203	Douille raccord Note: Area 0,3-1,5 MM2.	40/253 164 008	X
45	71 55 146	Douille raccord Note: Area 1,0-2,6 MM2.	40/253 188 007	X
45	71 55 633	Douille raccord Note: Area 2,7-6,6 MM2.	40/253 221 006	X
46	85 87 198	Joint câble Note: Area 0,5-0,75 MM2.		X
46	85 21 668	Joint câble Note: Area 0,8-2,1 MM2.		X

 <p>1 1A</p>	 <p>2 2A</p>	 <p>3 3A</p>
 <p>4 4A 2,8</p>	 <p>5 5A 2,8</p>	 <p>6 6A</p>
 <p>7 7A</p>	 <p>8B 8 8A</p>	 <p>9 9A 9B</p>
 <p>10 10B</p>	 <p>11 11A</p>	 <p>12 12B 1,6</p>

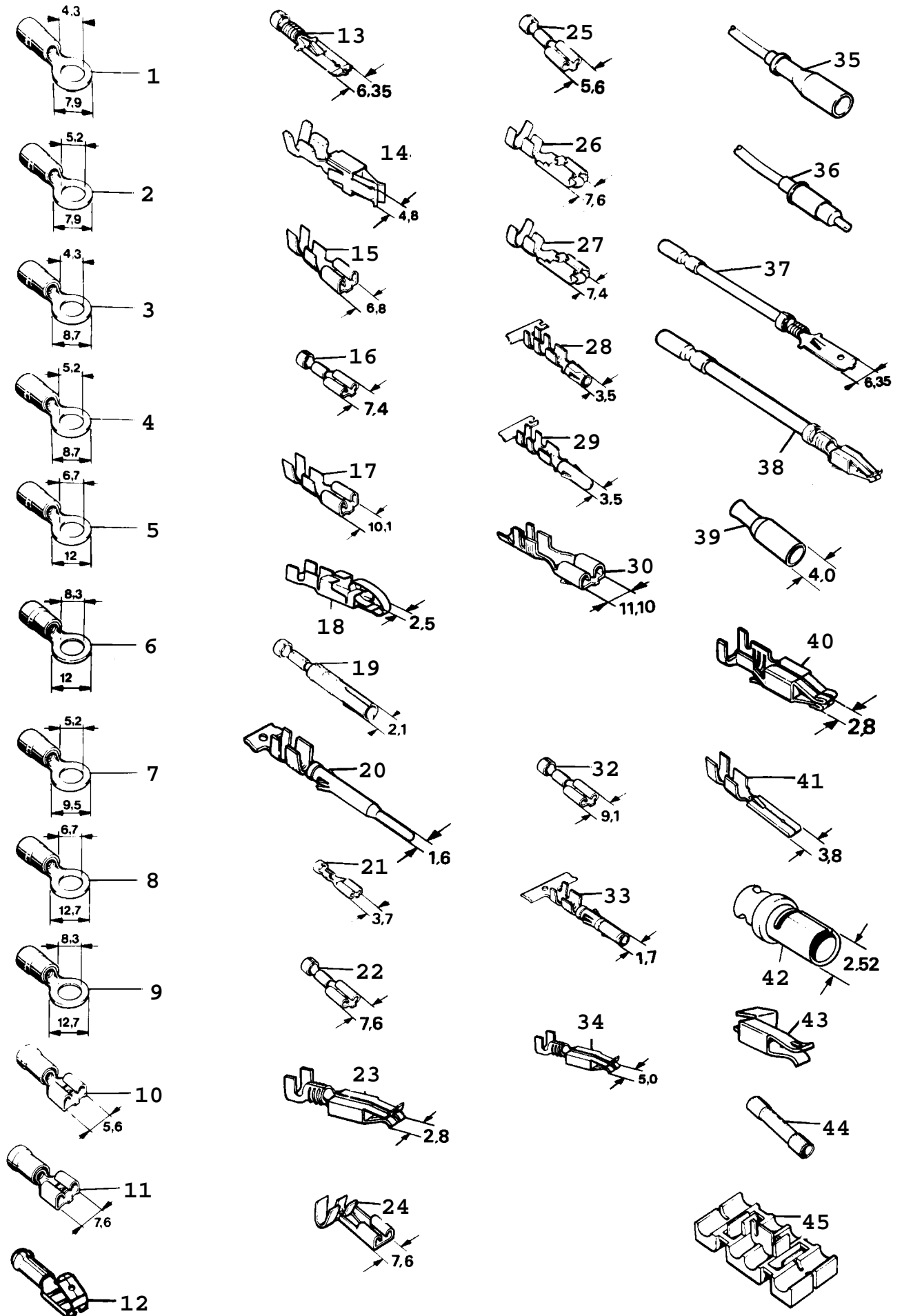
F8553 CAC94

Rep.	N° de pièce	Article	Usage	Qté
1	42 03 626	Boîtier de connecteur 8-poles, douille brun	RADIO	X
1A	91 20 957	Cosse	AREA, 1, 0-2, 5 MM2, NLS-USE 30520560	X
2	42 03 618	Boîtier de connecteur 8-poles, douille gris	RADIO	X
2A	91 20 957	Cosse	AREA, 1, 0-2, 5 MM2, NLS-USE 30520560	X
3	95 12 930	Boîtier contact 9-poles, douille	LOCK STEERING COLUMN	X
3A	95 09 746	Cosse	AREA, 0, 5-1, 5 MM2	X
4	91 23 399	Boîte connexion 10-poles, douille	SWITCH AC, RECIRKULATION AC, FOG LIGHT EXTRA, REOSTAT ELPAD, HEADLIGHT LEVELLING, SWITCH TCS TEST CONNECTOR AIR-BAG JOINT PIECE, REOSTAT LIGHT INSTEP, BOOT LID JOINT PIECE REAR CABLE HARNESS	X
4A	91 20 668	Cosse	AREA, 0, 75-1, 5 MM2, NLS-USE 30520560	X
4A	91 20 957	Cosse	AREA, 1, 0-2, 5 MM2, NLS-USE 30520560	X
5	41 14 005	Boîtier de connecteur 10-poles, douille	ABS, JOINT PIECE CABLE HARNESS FRONT, BULB CONTROL, JOINT PIECE MAIN CABLE HAR- NESS, DI-CASSETTE	X
5A	91 20 957	Cosse	AREA, 1, 0-2, 5 MM2, NLS-USE 30520560	X
5A	40 61 586	Cosse	AREA, 1, 0-2, 5 MM2	X
6	41 14 054	Boîtier de connecteur 10-poles, broche	JOINT PIECE ENGINE	X
6A	41 15 192	Cosse	AREA, 1, 0-2, 5 MM2	X
7	41 17 461	Boîte connexion 10-poles, broche	BY-PASS UNIT, JOINT PIECE CABLE HARNESS ROOF JOINT PIECE, JOINT PIECE MAIN CABLE HARNESS	X
7A	41 15 077	Cosse	AREA, 1, 0 2, 5 MM2, NLS-USE 12789934	X
7A	41 15 085	Cosse	AREA, 1, 0 2, 5 MM2	X
8	42 03 568	Boîtier de connecteur 10-poles, douille	SPEED CONTROL SYSTEM	X
8A	44 18 505	Cosse	AREA, 0, 5-1, 0 MM2	X
8B	42 03 576	Verrouillage		X
9	44 11 518	Boîtier de connecteur 10-poles, douille	JOINT PIECE REAR DOOR PROGR. TRIONIC	X
9A	41 15 499	Cosse	AREA, 0, 5-1, 0 MM2, NLS-USE 12790414	X
9B	91 20 957	Cosse	AREA, 1, 0-2, 5 MM2, NLS-USE 30520560	X
10	42 03 634	Boîtier de connecteur 10-poles, douille	LHD, US, AMPLIFIER	X
10A	91 20 957	Cosse	AREA, 1, 0-2, 5 MM2, NLS-USE 30520560	X

**9000 / 03B Système électrique, boîte de connexion
1080 Conduites et fusibles - Connecteur, etc (1997 - 1998)**

Liste des pièces détachées EPC

Rep.	N° de pièce	Article	Usage	Qté
11	44 10 510	Boîtier de connecteur 10-poles, broche	JOINT PIECE REAR DOOR	X
11A	41 15 077	Cosse	AREA, 1, 0-2, 5 MM2, NLS-USE 12789934	X
12	95 29 512	Boîtier contact 12-poles, broche	JOINT PIECE MAIN CABLE HARNESS/AIR-BAG	X
12A	95 26 401	Cosse	AREA, 0, 2-0, 56 MM2	X
12	95 25 031	Boîtier contact 12-poles, douille	ELECT-RONIC UNIT CENTRAL LOCK	X
12A	91 20 957	Cosse	AREA, 1, 0-2, 5 MM2, NLS-USE 30520560	X



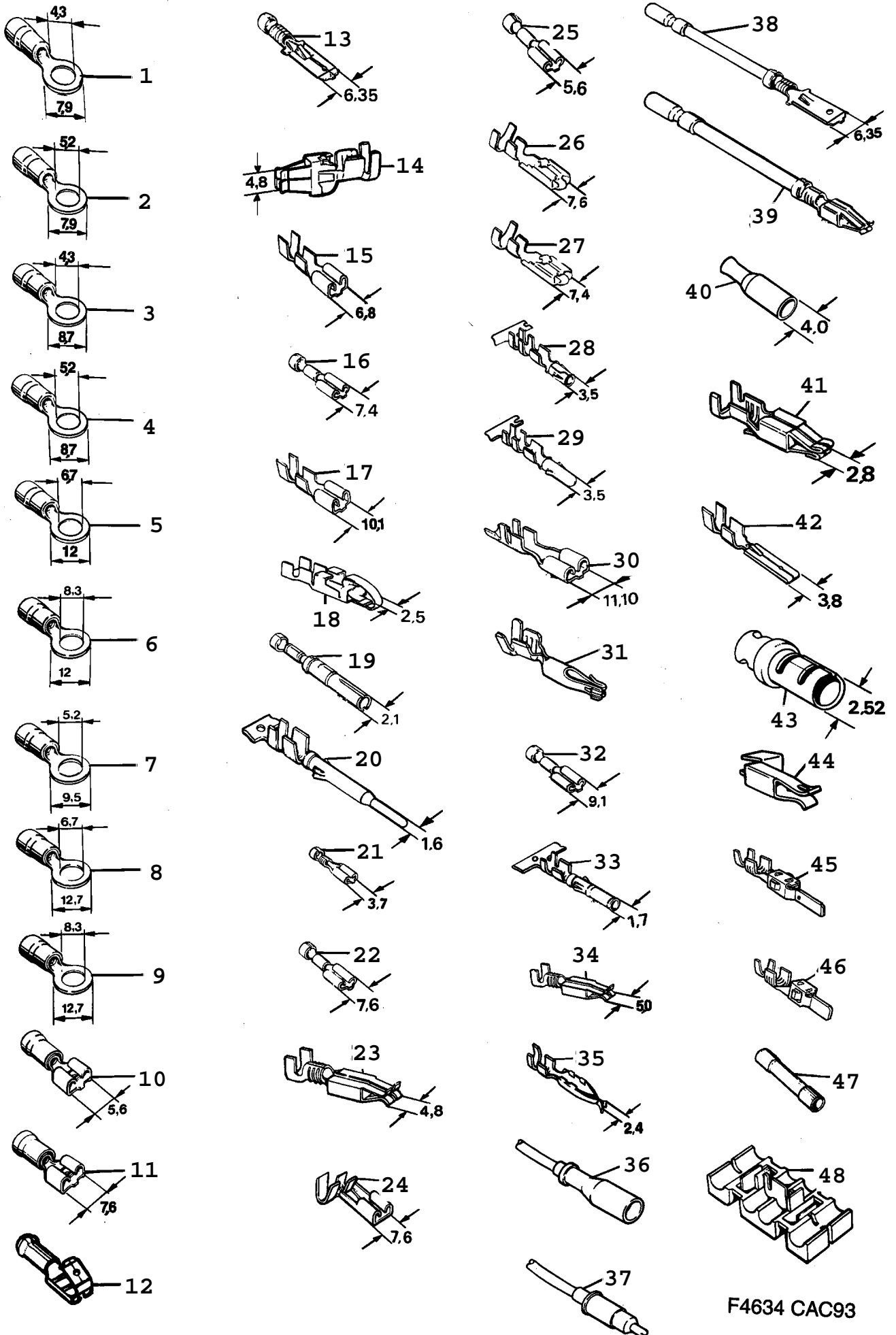
F0767 - 9000

Rep.	N° de pièce	Article	Usage	Qté
1	71 55 211	Cosse Note: Code couleur rouge (section 0,25-1,6 MM2).	40/253 152 003	X
2	71 55 229	Cosse Note: Code couleur rouge (section 0,25-1,6 MM2).	40/253 153 001	X
3	71 55 237	Cosse Note: Code couleur bleu (section 1,0-2,6 MM2).	40/253 172 001	X
4	71 17 880	Cosse Note: Code couleur bleu (section 1,0-2,6 MM2).	40/253 173 009	X
5	78 29 617	Cosse Note: Code couleur bleu (section 1,0-2,6 MM2).	40/253 174 007	X
6	79 59 349	Cosse Note: Code couleur bleu (section 1,0-2,6 MM2).		X
7	71 55 658	Cosse Note: Code couleur jaune (section 2,7-6,6 MM2).	40/253 210 009	X
8	78 29 666	Cosse Note: Code couleur jaune (section 2,7-6,6 MM2).	40/253 211 007	X
9	78 29 674	Cosse Note: Code couleur jaune (section 2,7-6,6 MM2).	40/253 212 005	X
9	79 77 556	Cosse Note: Area 1,0-2,5 MM2.	EARTH	X
10	79 69 231	Cosse Note: Code couleur bleu (section 1,0-3,4 MM2).		X
11	78 29 625	Raccord Note: Code couleur bleu (section 1,5-2,5 MM2).	40/253 195 002, NLS	X
11	78 29 682	Cosse Note: Code couleur jaune (section 3,0-6,0 MM2).	40/253 226 005	X
11	78 29 633	Boîtier contact Note: Code couleur bleu (section 1,5-2,5 MM2).	40/253 197 008, NLS	X
11	78 29 609	Cosse Note: Code couleur rouge (section 0,3-1,5 MM2).	40/253 168 009	X
12	78 29 641	Tubulure Note: Code couleur bleu (section 1,5-2,5 MM2).	45/30 24 650	X
13	71 55 062	Cosse Note: Area 0,8-2,5 MM2.	JOINT PIECE, FOR CONTACT HOUSING, 9124181 9502998, NLS-USE 8522542	X
13	85 93 089	Cosse Note: Area 0,5-1,0 MM2.	FOR CONTACT HOUSING, 9124181	X
14	91 20 775	Cosse Note: Area 0,5-1,0 MM2.	EL-CENTRAL, FAILUR SENSOR, FLASHER UNIT, FUEL PUMP RELAY, MAIN RELAY, RELAY HORN, RELAY REAR DEMIST, RELAY AC INTERVAL RELAY, AC DIOD INTERIOR LIGHT, IGNITION SETTING, LIGHT, HORN, AC BULB CONTROL, TIME RELAY	X
15	71 55 039	Cosse Note: Area 1,5-2,5 MM2.	AC, JOINT PIECE, GEAR INDICATOR, BELT WARNING, RELAY GEAR INDICATOR FOR CONTACT HOUSING 8533655, 8533697, 9122789 9122797, 9124090, 9124157 9124173, 9124165, 9507658	X
15	71 55 047	Cosse Note: Area 3,0-6,0 MM2.	EL-CENTRAL, EARTH FOR CONTACT HOUSING 8516916, NLS	X
15	71 55 716	Cosse Note: Area 0,4-1,0 MM2.	EARTH, NLS	X
16	71 55 153	Cosse Note: Area 0,8-2,1 MM2.	EL-CENTRAL, JOINT PIECE, DOOR SWITCH, FOR CONTACT HOUSING 8516916	X
			FOR CONTACT HOUSING 7155112, 8558538, NLS-USE 8522534	X

Rep.	N° de pièce	Article	Usage	Qté
16	79 72 029	Cosse Note: Area 1,0-2,5 MM2.	FOR CONTACT HOUSING, 8533697, 9120791 9503251, NLS-USE 8522534	X
16	79 71 708	Cosse Note: Area 0,5-1,5 MM2.	FOR CONTACT HOUSING 7155112, 8533697	X
16	79 68 068	Cosse Note: Area 4,0-6,0 MM2.	FOR CONTACT HOUSING 8533697	X
16	85 03 476	Cosse Note: Area 1,0-2,5 MM2.	FOR CONTACT HOUSING 7155112, NLS	X
16	85 82 454	Cosse Note: Area 0,5-1,5 MM2.	JOINT PIECE, FOR CONTACT HOUSING, 8558538 9512591	X
17	79 69 256	Cosse Note: Area 4,0-6,0 MM2.	EL-CENTRAL	X
18	81 35 147	Cosse Note: Area 0,75-1,0 MM2.	FOR CONTACT HOUSING 8135600	X
18	81 38 679	Cosse Note: Area 1,0-3,5 MM2.	FOR CONTACT HOUSING 8135600	X
19	85 22 583	Cosse Note: Area 0,8-3,4 MM2.	FOR CONTACT HOUSING 8530099	X
20	85 93 964	Cosse Note: Area 0,5-1,5 MM2.	FOR CONTACT HOUSING 8521718	X
20	95 19 398	Cosse Note: Area 0,8-1,5 MM2.	FOR CONTACT HOUSING 9519406	X
21	85 09 846	Cosse Note: Area 0,5-1,4 MM2.	FOR CONTACT HOUSING 8378630, NLS-USE 8522575	X
21	85 30 107	Cosse Note: Area 0,5-1,5 MM2.	FOR CONTACT HOUSING 8530115	X
22	85 14 028	Cosse Note: Area 0,3-0,8 MM2.	TEMP SENSOR, OIL PRESSURE SENSOR, ALTERNATOR, FOR CONTACT HOUSING 8516916, NLS-USE 7155716	X
22	85 14 036	Cosse Note: Area 1,0-2,5 MM2.	RELAY GROUND SHEET JOINT PIECE, FOR CONTACT HOUSING, 8516916	X
23	85 21 593	Cosse Note: Area 0,5-1,5 MM2.	FAILUR SENSOR INTERVAL RELAY, FOR CONTACT HOUSING, 8544371 8574097, 8574121, 8579930 8593899, 8593907, 8593915 8593931, 8593949, 9123381 9506650	X
23	91 20 783	Cosse Note: Area 1,0-2,5 MM2.	EL-CENTRAL FAILUR SENSOR, RELAY LIGHT, AC, RELAY FUEL PUMP, MAIN RELAY, RELAY REAR DEMIST, RELAY AC, AC INTERVAL RELAY, AC DIOD TIME RELAY, FOR CONTACT HOUSING, 9124090, 9124157 9124173, 9122797, 9502048	X
23	91 20 791	Cosse Note: Area 2,5-4,0 MM2.	EL-CENTRAL, FAILUR SENSOR, RELAY AC, JOINT PIECE, REAR DEMIST, FOR CONTACT HOUSING 9122797 9124090	X
24	85 21 676	Cosse Note: Area 0,5-1,5 MM2.	SPOTLIGHT, LIGHT ASH TRAY, FOR CONTACT HOUSING 8521692, NLS-USE 8522526	X
24	85 21 684	Cosse Note: Area 1,0-2,5 MM2.	FOR CONTACT HOUSING 8521692, 9518416, NLS-USE 8522526	X
24	85 22 526	Cosse Note: Area 0,5-1,5 MM2.	FOR CONTACT HOUSING 8521692(8582421)	X
24	95 59 469	Cosse Note: Area 1,0-2,5 MM2.	DIM DIP	X
25	85 44 389	Cosse Note: Area 0,5-1,5 MM2.	FOR CONTACT HOUSING 8544371	X

Rep.	N° de pièce	Article	Usage	Qté
25	85 33 028	Cosse Note: Area 0,5-1,5 MM2.	FOR CONTACT HOUSING 8533184, NLS-USE 8582439	X
25	85 82 439	Cosse Note: Area 0,5-1,5 MM2.	JOINT PIECE	X
26	85 41 203	Cosse Note: Area 0,5-1,5 MM2.	JOINT PIECE, FOR CONTACT HOUSING 8541229 8544363, 8574949, 9507658, NLS-USE 8560476	X
27	85 60 476	Cosse Note: Area 0,9-2,0 MM2.	FOR CONTACT HOUSING 8541229	X
27	85 41 211	Cosse Note: Area 2,5-4,0 MM2.	FOR CONTACT HOUSING 8544363	X
28	85 44 298	Cosse Note: Area 0,5-2,0 MM2.	JOINT PIECE, FOR CONTACT HOUSING, 8521700 8564919, 8561631, NLS-USE 8582595	X
28	85 44 306	Cosse Note: Area 2,0-4,0 MM2.	JOINT PIECE	X
28	85 82 090	Cosse Note: Area 0,5-1,5 MM2.	FOR CONTACT HOUSING 9503525	X
29	85 44 314	Cosse Note: Area 0,5-2,0 MM2.	FOR CONTACT HOUSING 8521718, 8564924, NLS-USE 8582603	X
29	85 44 322	Cosse Note: Area 2,0-4,0 MM2.	FOR CONTACT HOUSING 8564924	X
30	85 69 139	Cosse Note: Area 4,0-6,0 MM2.	EL-CENTRAL	X
30	79 69 264	Cosse Note: Area 4,0-6,0 MM2.	EL-CENTRAL	X
32	85 82 413	Cosse Note: Area 1,3-3,4 MM2.	JOINT PIECE, FOR CONTACT HOUSING 7155021	X
33	85 87 552	Cosse Note: Area 0,5-1,5 MM2.	FOR CONTACT HOUSING 8521700, 9506643 9512591	X
33	85 87 560	Cosse Note: Area 1,0-2,5 MM2.	FOR CONTACT HOUSING 9512591	X
34	91 20 767	Cosse Note: Area 4,0-6,0 MM2.	EL-CENTRAL, RELAY REAR DEMIST, RELAY FUEL PUMP, FOR CONTACT HOUSING 9519422, 9122789	X
34	95 21 972	Cosse Note: Area 0,5-1,0 MM2.	RELAY EARTH SHEET FOR CONTACT HOUSING, 9124090, 9124157, 9124165 9124173, 9521972	X
34	95 21 980	Cosse Note: Area 1,5-2,5 MM2.	RELAY EARTH SHEET FOR CONTACT HOUSING, 9124090, 9124165, NLS-USE 30520556	X
35	78 74 498	Connexion	FOR CONTACT HOUSING 9503277, 9503316, 9503319 9503418, 9503426, 9503434 9503475, 9519679	X
36	78 74 506	Connexion	FOR CONTACT HOUSING 9501685, 9503327, 9503319 9506668	X
37	85 22 542	Cosse Note: Code couleur bleu (section 1,0-2,6 MM2).	FOR CONTACT HOUSING, 7155120	X
38	85 22 617	Cosse Note: Area 1,0-2,6 MM2.	BULB CONTROL, AC GEAR INDICATOR, FOR CONTACT HOUSING, 8539363 8544371, 8574097, 8579930 8586802, 8593899, 8593907 8593915, 8593923, 8593931 8593949, 9123381, 9506650 9519414, 9519455	X
39	85 82 579	Cosse Note: Area 0,5-1,0 MM2.	JOINT PIECE	X

Rep.	N° de pièce	Article	Usage	Qté
40	95 08 706	Cosse Note: Area 0,75-1,5 MM2.	RELAY GROUND SHEET FOR CONTACT HOUSING, 9123399, NLS-USE 30520560	X
40	95 08 748	Cosse Note: Area 1,5-2,5 MM2.	FOR CONTACT HOUSING, 9123399, 9514803, NLS-USE 30520560	X
40	95 08 714	Cosse Note: Area 0,3-0,6 MM2.	FOR CONTACT HOUSING, 9123399, 9123555, NLS-USE 30520560	X
41	95 52 100	Cosse Note: Area 0,75-1,5 MM2.	FOR CONTACT HOUSING, 9122557	X
42	95 52 175	Cosse	FOR CONTACT HOUSING 9552159, 9552167	X
42	95 09 746	Cosse	FOR CONTACT HOUSING 9512930	X
44	71 55 203	Douille raccord Note: Code couleur rouge (section 0,25-1,6 MM2).	40/253 164 008	X
44	71 55 146	Douille raccord Note: Code couleur bleu (section 1,0-2,6 MM2).	40/253 188 007	X
44	71 55 633	Douille raccord Note: Code couleur jaune (section 2,7-6,6 MM2).	40/253 221 006	X
45	85 87 198	Joint câble Note: Area 0,5-0,75 MM2.		X
45	85 21 668	Joint câble Note: Area 0,8-2,1 MM2.		X



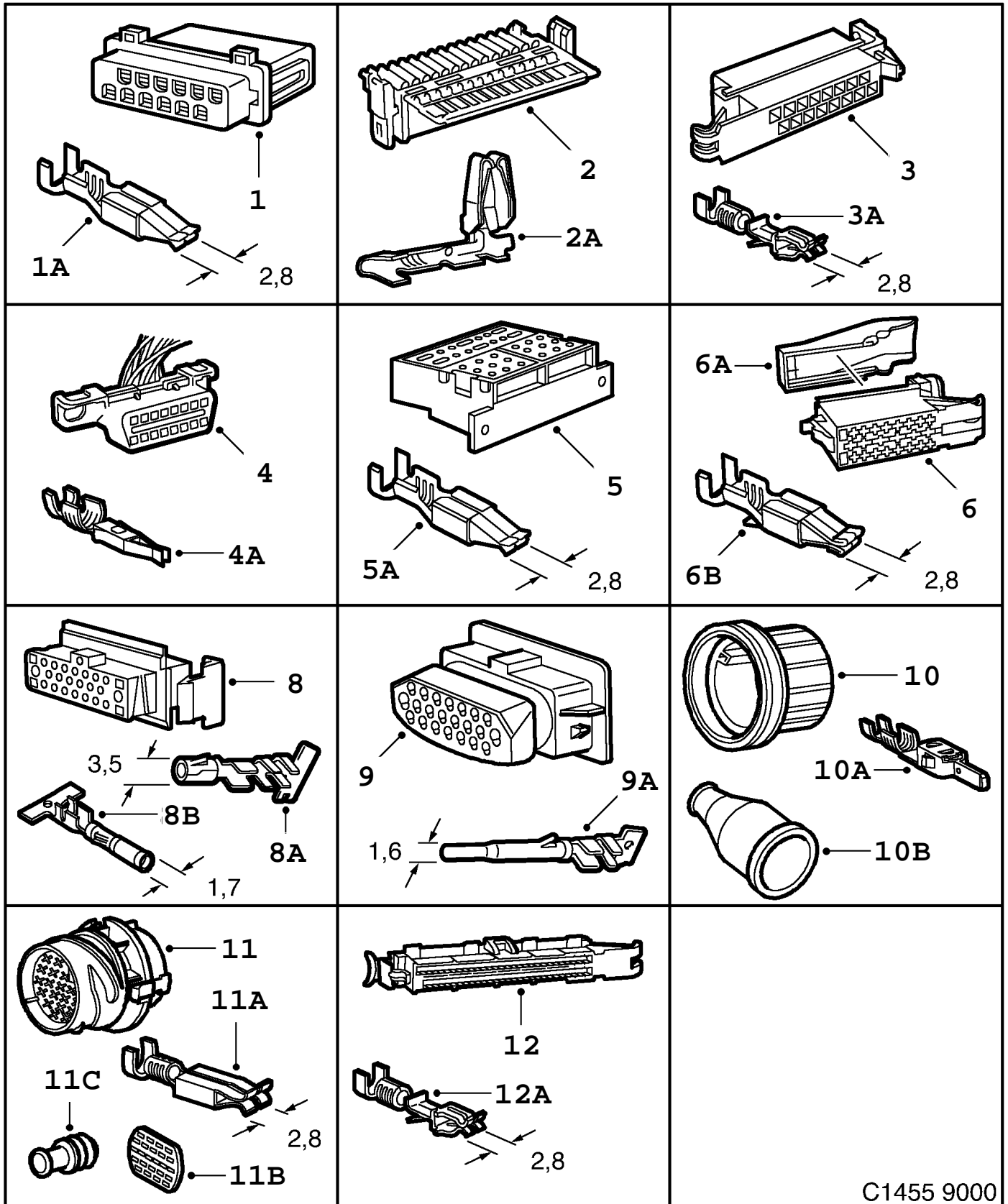
F4634 CAC93

Rep.	N° de pièce	Article	Usage	Qté
1	71 55 211	Cosse Note: Area 0,3-1,5 MM2.	40/253 152 003	X
2	71 55 229	Cosse Note: Area 0,3-1,5 MM2.	40/253 153 001	X
3	71 55 237	Cosse Note: Area 1,0-2,6 MM2.	40/253 172 001	X
4	71 17 880	Cosse Note: Area 1,0-2,6 MM2.	40/253 173 009	X
5	78 29 617	Cosse Note: Area 1,0-2,6 MM2.	40/253 174 007	X
6	79 59 349	Cosse Note: Area 1,0-2,6 MM2.		X
7	71 55 658	Cosse Note: Area 2,7-6,6 MM2.	40/253 210 009	X
8	78 29 666	Cosse Note: Area 2,7-6,6 MM2.	40/253 211 007	X
9	78 29 674	Cosse Note: Area 2,7-6,6 MM2.	40/253 212 005	X
9	79 77 556	Cosse Note: Area 1,0-2,5 MM2.	GROUND ABS	X
10	79 69 231	Cosse Note: Area 1,0-3,4 MM2.		X
11	78 29 625	Raccord Note: Area 1,5-2,5 MM2.	40/253 195 002, NLS	X
11	78 29 682	Cosse Note: Area 3,0-6,0 MM2.	40/253 226 005	X
11	78 29 633	Boîtier contact Note: Area 1,5-2,5 MM2.	40/253 197 008, NLS	X
11	78 29 609	Cosse Note: Area 0,3-1,5 MM2.	40/253 168 009	X
12	78 29 641	Tubulure Note: Area 1,5-2,5 MM2.	40/253 196 000	X
13	85 93 089	Cosse Note: Area 0,5-1,0 MM2.	JOINT PIECE TRUNK LID	X
14	91 20 775	Cosse Note: Area 0,5-1,0 MM2.	RELAY HORN, RELAY REAR DEMIST, RELAY AC, AC DIOD, LIGHT FOR CONTACT HOUSING 8533697	X
15	85 14 036	Cosse Note: Area 1,5-2,5 MM2.	EL-CENTRAL, EARTH	X
15	71 55 047	Cosse Note: Area 4,0-6,0 MM2.	EL-CENTRAL, NLS	X
15	71 55 716	Cosse Note: Area 0,4-1,0 MM2.	EL-CENTRAL, JOINT PIECE, DISTRIBUTOR TERMINAL, CIGARETTE LIGHTER, DOOR SWITCH BRAKE LIGHT, ALTERNATOR FOR CONTACT HOUSING 8516916, 8533184	X
16	71 55 153	Cosse	FOR CONTACT HOUSING 7155112, 8558538, NLS-USE 8522534	X
16	79 72 029	Cosse Note: Area 1,0-2,5 MM2.	FOR CONTACT HOUSING, 8533697, 9503251, NLS-USE 8522534	X
16	79 71 708	Cosse Note: Area 0,5-1,5 MM2.	FOR CONTACT HOUSING 7155096, 7155112	X
16	85 82 454	Cosse Note: Area 0,5-1,5 MM2.	TEST CONNECTOR, FOR CONTACT HOUSING, 8558538	X
16	79 68 068	Cosse Note: Area 4,0-6,0 MM2.	FOR CONTACT HOUSING, 9503251	X
17	79 69 256	Cosse Note: Area 4,0-6,0 MM2.	EL-CENTRAL, RELAY DISTRIBUTION TERMINAL	X
18	81 35 147	Cosse Note: Area 0,75-1,0 MM2.	FOR CONTACT HOUSING 8135600	X

Rep.	N° de pièce	Article	Usage	Qté
18	81 38 679	Cosse Note: Area 1,0-3,5 MM2.	FOR CONTACT HOUSING 8135600	X
19	85 22 583	Cosse Note: Area 0,8-3,4 MM2.	FOR CONTACT HOUSING 8530099	X
20	85 93 964	Cosse Note: Area 0,5-1,5 MM2.	FOR CONTACT HOUSING 8521718, 8593964	X
20	95 19 398	Cosse Note: Area 0,8-1,5 MM2.	FOR CONTACT HOUSING, 9519406	X
20	95 26 401	Cosse Note: Area 0,2-0,56 MM2.	FOR CONTACT HOUSING, 9529512	X
21	85 09 846	Cosse Note: Area 0,5-1,4 MM2.	FOR CONTACT HOUSING 8378630, NLS-USE 8522575	X
21	85 30 107	Cosse Note: Area 0,5-1,5 MM2.	FOR CONTACT HOUSING 8530115	X
22	85 14 028	Cosse Note: Area 0,3-0,8 MM2.	TEMP SENSOR, OIL PRESSURE SENSOR, ALTERNATOR, FOR CONTACT HOUSING 8516916, NLS-USE 7155716	X
22	85 14 036	Cosse Note: Area 1,0-2,5 MM2.	GROUND, JOINT	X
23	85 21 593	Cosse Note: Area 0,5-1,5 MM2.	PIECE FAILUR SENSOR INTERVAL RELAY, FOR CONTACT HOUSING, 8544371 8574097, 8574121, 8579930 8593899, 8593907, 8593915 8593931, 8593949, 9123381 9506650	X
23	91 20 783	Cosse Note: Area 1,0-2,5 MM2.	AC DIOD FOR CONTACT HOUSING, 9124157, 9502048	X
23	91 20 791	Cosse Note: Area 2,5-4,0 MM2.	EL-CENTRAL, FAILUR SENSOR, RELAY AC, JOINT PIECE, REAR DEMIST, TIME RELAY AC, RELAY DIM DIP RELAY BELT WARNING RELAY FOG LIGHT EXTRA GEAR INDICATOR, HORN PUMP RELAY ABS, RELAY MOTOR, MAIN RELAY ABS RELAY IGNITION LOCK RELAY FLASHER UNIT, RELAY INTERIOR LIGHT INTERVAL RELAY, MAIN RELAY, RELAY FUEL PUMP COOLING FAN, RELAY DAY DRIVING LIGHT, FOR CONTACT HOUSING, 4176012 9122789, 9122797, 9124090 9124157, 9124165, 9124173 9125543, 9507658, 9519422	X
23	40 61 586	Cosse Note: Area 1,0-2,5 MM2.	FOR CONTACT HOUSING 4113205, 4113601, 4113809 4114005, 4176210, 4176244	X
24	85 21 676	Cosse Note: Area 0,5-1,5 MM2.	SPOTLIGHT, LIGHT ASH TRAY, FOR CONTACT HOUSING 8521692, NLS-USE 8522526	X
24	85 21 684	Cosse Note: Area 1,0-2,5 MM2.	FOR CONTACT HOUSING 8521692, NLS-USE 8522526	X
24	85 82 421	Cosse Note: Area 0,5-1,5 MM2.	FOR CONTACT HOUSING 8521692, NLS-USE 8522526	X
24	85 22 526	Cosse Note: Area 0,5-1,5 MM2.	LIGHT INSTEP, FOG LIGHT	X
25	85 33 028	Cosse Note: Area 0,5-1,5 MM2.	FOR CONTACT HOUSING 8533184, NLS-USE 8582439	X

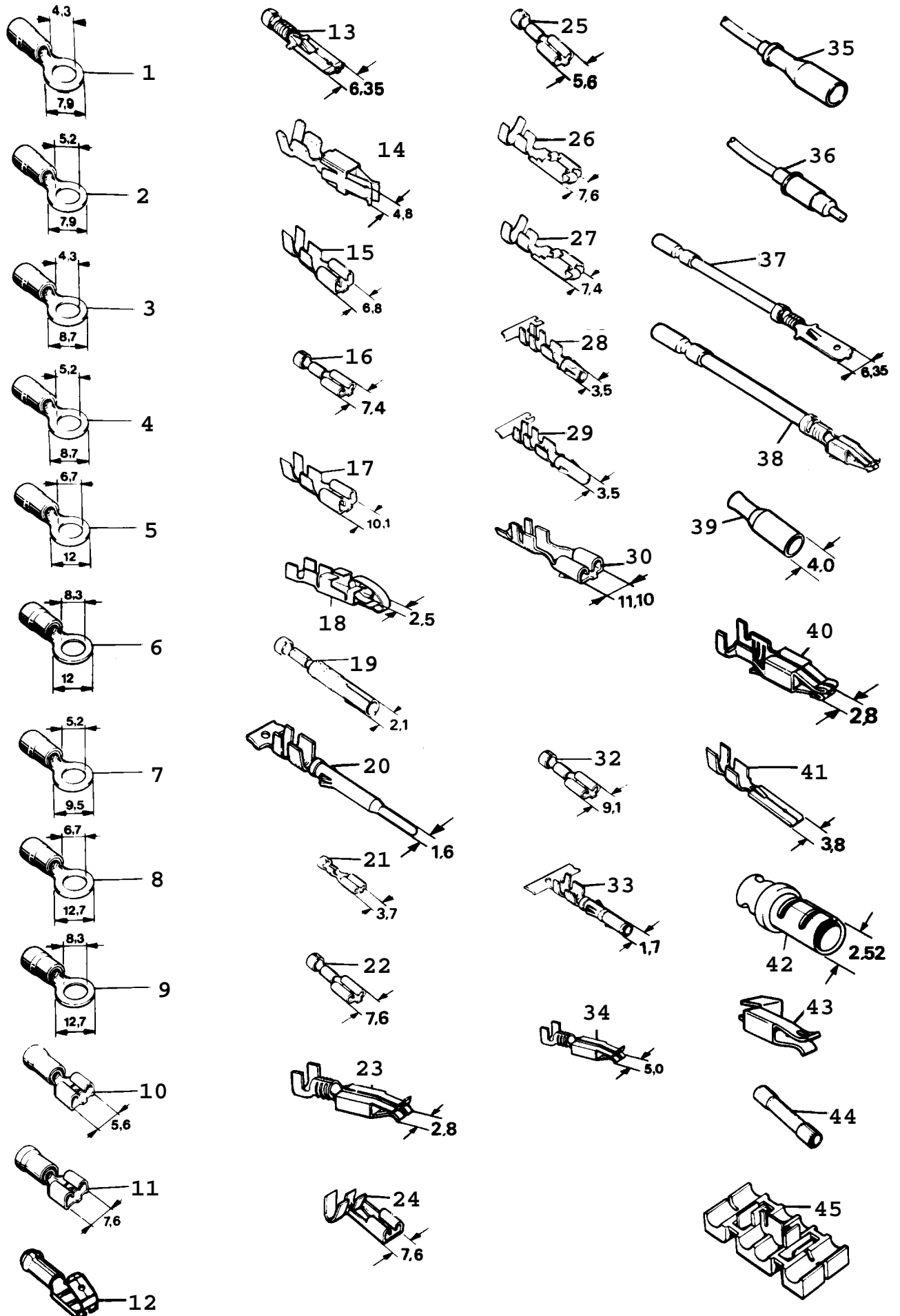
Rep.	N° de pièce	Article	Usage	Qté
26	85 41 203	Cosse Note: Area 0,5-1,5 MM2.	SPOTLIGHT, LIGHT INSTEP, BELT WARNING, FOR CONTACT HOUSING 8541229 8544363, 8574949, 9507658, NLS-USE 8560476	X
27	85 60 476	Cosse Note: Area 0,9-2,0 MM2.	SWITCH INTERIOR LIGHT, LIGHT GLOVE BOX	X
27	85 41 211	Cosse Note: Area 2,5-4,0 MM2.	FOR CONTACT HOUSING 8544363	X
27	85 22 534	Cosse Note: Area 0,5-1,5 MM2.	LIGHT INSTEP, FOR CONTACT HOUSING 7155112	X
28	85 44 298	Cosse Note: Area 0,5-2,0 MM2.	FOR CONTACT HOUSING 8521700, 8564919, 9525106, NLS-USE 8582595	X
28	85 44 306	Cosse Note: Area 2,0-4,0 MM2.	REAR DEMIST	X
28	85 82 090	Cosse Note: Area 0,5-1,5 MM2.	FOR CONTACT HOUSING 9503525	X
28	85 82 595	Cosse Note: Area 0,5-2,0 MM2.	LIGHT NUMBER PLATE DOOR SWITCH, HIGH MOUNTED STOP LIGHT JOINT PIECE CENTRAL LOCK	X
29	85 44 314	Cosse Note: Area 0,5-2,0 MM2.	FOR CONTACT HOUSING 8521718, 8564924 9525114, NLS-USE 8582603	X
29	85 44 322	Cosse Note: Area 2,0-4,0 MM2.	FOR CONTACT HOUSING 8564924	X
30	85 69 139	Cosse	EL-CENTRAL, RELAY DISTRIBUTION TERMINAL	X
30	85 88 188	Cosse Note: Area 6,0-10,0 MM2.	EL-CENTRAL	X
30	95 15 024	Cosse Note: Area 6,0-8,5 MM2.	FUSE BOX, RELAY DISTRIBUTION TERMINAL, EL- CENTRAL	X
31	95 27 771	Cosse	FOR CONTACT HOUSING 9527755	X
32	85 82 413	Cosse	FOR CONTACT HOUSING 7155021	X
33	85 87 552	Cosse Note: Area 0,5-1,5 MM2.	FOR CONTACT HOUSING 8521700, 9512591 9525106	X
33	85 87 560	Cosse Note: Area 1,0-2,5 MM2.	FOR CONTACT HOUSING 9512591	X
33	95 25 817	Cosse Note: Area 0,2-0,56 MM2.	FOR CONTACT HOUSING 9529538	X
34	95 21 972	Cosse Note: Area 0,5-1,0 MM2.	RELAY GROUND SHEET	X
34	95 21 980	Cosse Note: Area 1,5-2,5 MM2.	RELAY GROUND SHEET, NLS-USE 30520556	X
35	40 63 970	Cosse Note: Area 0,5-1,0 MM2.	FOR CONTACT HOUSING 4060869, 9565045	X
36	78 74 498	Connexion Note: Area 0,2-1,5 MM2.	FOR CONTACT HOUSING 9503277, 9503316, 9503418 9503434, 9503475, 9506668 9519679	X
36	85 47 796	Bloc connexion Note: Area 0,2-2,5 MM2.	SIDE DIRECTION INDI FOR CONTACT HOUSING, 9503277, 9503418, 9503475 9519679	X
36	85 47 804	Bloc connexion Note: Area 2,5-4,0 MM2.		X
37	78 74 506	Connexion Note: Area 0,2-1,5 MM2.	FOR CONTACT HOUSING 9501685, 9503426, 9506668	X
37	85 47 770	Bloc connexion Note: Area 0,2-2,5 MM2.	FOR CONTACT HOUSING 9503442	X

Rep.	N° de pièce	Article	Usage	Qté
38	85 22 542	Cosse Note: Area 1,0-2,6 MM2.	FOR CONTACT HOUSING, 7155120	X
39	85 22 617	Cosse Note: Area 1,0-2,6 MM2.	AC	X
40	85 82 579	Cosse Note: Area 0,5-1,0 MM2.	JOINT PIECE	X
41	95 08 706	Cosse Note: Area 0,75-1,5 MM2.	RELAY GROUND SHEET, NLS-USE 30520560	X
41	91 20 668	Cosse Note: Area 0,75-1,5 MM2.	BULB CONTROL INTERVAL RELAY, TIME RELAY AC, RELAY BELT WARNING, FOR CONTACT HOUSING, 8579930, 8593899 8593907, 8593915, 8593931 8593949, 8597064, 9123381 9123548, 9123555, 9125519, NLS-USE 30520560 9519414, 9519455, 9564089 9566266, 9566282	X
41	91 20 957	Cosse Note: Area 1,0-2,5 MM2.	FOR CONTACT HOUSING 4061479, 4069274, 4109278 4109500, 4109518, 4113809 4114005, 4114609, 4175428 4176012, 4176186, 4176269 8586802, 8593923, 8597064 9123399, 9503475, 9514803 9525031, 9565045, NLS-USE 30520560	X
42	95 52 126	Cosse Note: Area 0,5-1,0 MM2.	FOR CONTACT HOUSING, 9122557, NLS-USE 9552100	X
43	95 52 175	Cosse	FOR CONTACT HOUSING 9552159, 9552167	X
43	95 09 746	Cosse	FOR CONTACT HOUSING 9512930	X
45	41 15 077	Cosse Note: Area 1,0-2,5 MM2.	JOINT PIECE MAIN CABLE HARNESS, JOINT PIECE BOOT LID, FOR CONTACT HOUSING, 4117164 4117263, 4117461, NLS-USE 12789934	X
46	41 15 580	Cosse Note: Area 1,0-2,5 MM2.	JOINT PIECE MAIN CABLE HARNESS, JOINT PIECE BOOT LID, FOR CONTACT HOUSING, 4117560 4117669, 4117768	X
47	71 55 203	Douille raccord Note: Area 0,3-1,5 MM2.	40/253 164 008	X
47	71 55 146	Douille raccord Note: Area 1,0-2,6 MM2.	40/253 188 007	X
47	71 55 633	Douille raccord Note: Area 2,7-6,6 MM2.	40/253 221 006	X
48	85 87 198	Joint câble Note: Area 0,5-0,75 MM2.		X
48	85 21 668	Joint câble Note: Area 0,8-2,1 MM2.		X



C1455 9000
 03B/1110

Rep.	N° de pièce	Article	Usage	Qté
1	95 25 031	Boîtier contact 12-poles, douille	ELECT-RONIC UNIT CENTRAL LOCK	X
1A	91 20 957	Cosse	AREA, 1, 0-2, 5 MM2, NLS-USE 30520560	X
2	95 03 020	Boîtier contact 14-poles, douille	INSTRUMENTS, PICTOGRAM	X
2A	95 05 397	Cosse	AREA, 1, 5-2, 5 MM2	X
3	95 66 282	Boîtier contact 16-poles, douille	EAS WITH MEMORY	X
3A	91 20 668	Cosse	AREA, 0, 75-1, 5 MM2, NLS-USE 30520560	X
4	48 07 954	Boîtier de connecteur 16-poles, douille	DIAGNOS	X
4A	41 15 499	Cosse	AREA, 0, 5-2, 5 MM2, NLS-USE 12790414	X
5	91 25 543	Boîtier contact 18-poles, douille	EL-DISTRIBUT. UNIT	X
5A	91 20 791	Cosse	AREA, 2, 5-4, 0 MM2	X
6	40 60 893	Boîtier contact 19-poles, douille	SWITCH CENTRE CONSOLE	X
6A	40 67 617	Capot		X
6B	91 20 957	Cosse	AREA, 1, 0-2, 5 MM2, NLS-USE 30520560	X
8	95 25 106	Boîtier contact 22-poles, douille	JOINT PIECE FRONT DOORS	X
8A	85 82 595	Cosse	AREA, 0, 5-2, 0 MM2	X
8B	85 87 552	Cosse	AREA, 0, 5-1, 5 MM2	X
9	95 25 114	Boîtier contact 22-poles, broche	JOINT PIECE DOORS	X
9A	85 93 964	Cosse	AREA, 0, 8-1, 5 MM2	X
10	41 74 868	Boîtier de connecteur 24-poles, broche	JOINT PIECE CABLE HARNESS FRONT	X
10A	41 15 192	Cosse	AREA, 1, 0-2, 5 MM2	X
10B	41 11 308	Protection en caoutchouc		X
10C	45 88 349	Anneau verrouillage		X
11	41 76 244	Boîtier de connecteur 24-poles, douille	JOINT PIECE MAIN CABLE HARNESS	X
11A	40 61 586	Cosse	AREA, 1, 0-2, 5 MM2	X
11B	43 52 936	Joint		X
11C	40 61 958	Joint	BLIND PLUG, NLS-USE 12798370	X
11C	40 61 966	Joint	1,2-2,0 MM	X
11C	40 61 974	Joint	2,1-2,0 MM	X
12	41 76 186	Boîtier de connecteur 25-poles, douille	LHD, US, AMPLIFIER VSS-ALARM	X
12A	91 20 957	Cosse	AREA, 1, 0-2, 5 MM2, NLS-USE 30520560	X

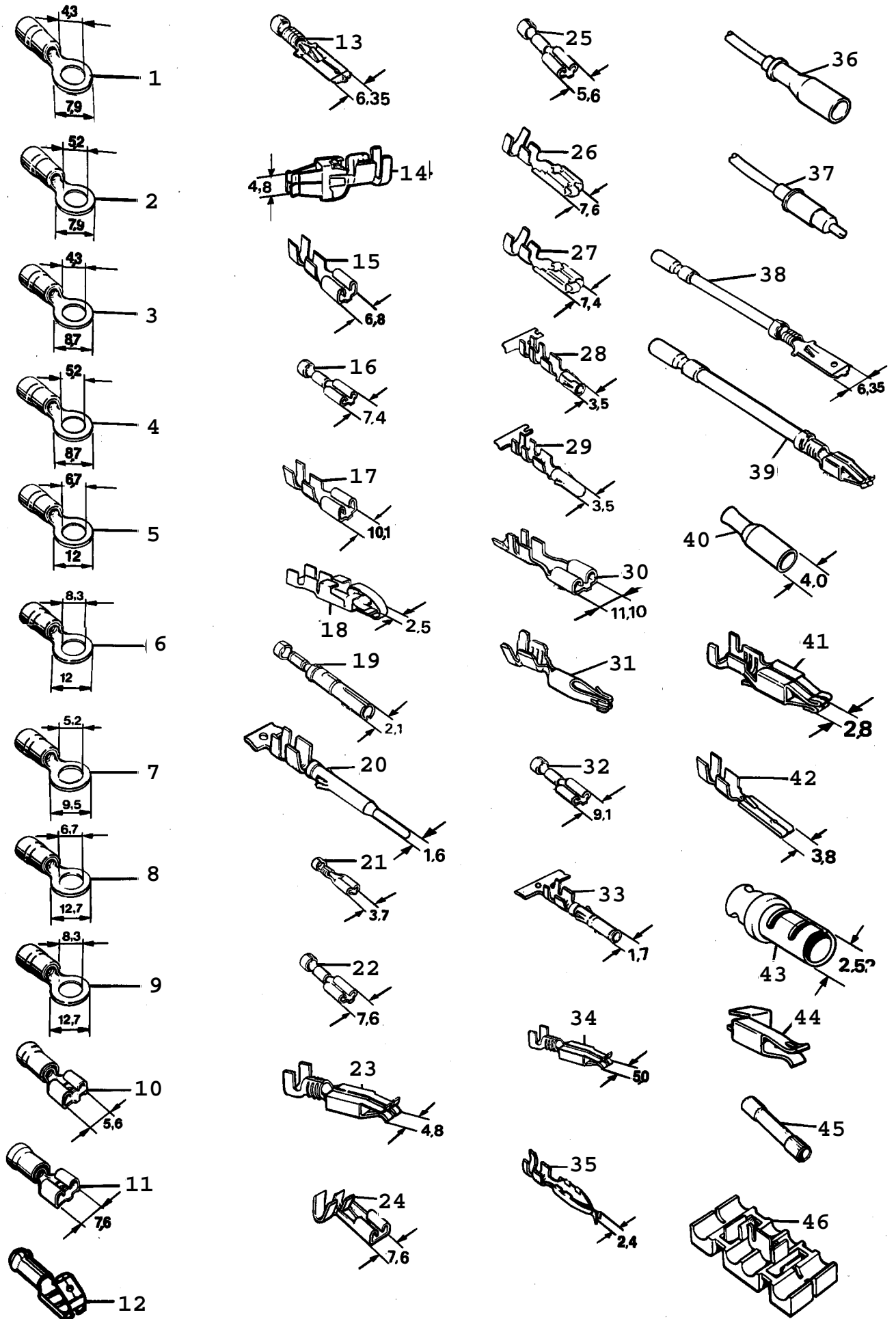


Rep.	N° de pièce	Article	Usage	Qté
1	71 55 211	Cosse Note: Code couleur rouge (section 0,25-1,6 MM2).	40/253 152 003	X
2	71 55 229	Cosse Note: Code couleur rouge (section 0,25-1,6 MM2).	40/253 153 001	X
3	71 55 237	Cosse Note: Code couleur bleu (section 1,0-2,6 MM2).	40/253 172 001	X
4	71 17 880	Cosse Note: Code couleur bleu (section 1,0-2,6 MM2).	40/253 173 009	X
5	78 29 617	Cosse Note: Code couleur bleu (section 1,0-2,6 MM2).	40/253 174 007	X
6	79 59 349	Cosse Note: Code couleur bleu (section 1,0-2,6 MM2).		X
7	71 55 658	Cosse Note: Code couleur jaune (section 2,7-6,6 MM2).	40/253 210 009	X
8	78 29 666	Cosse Note: Code couleur jaune (section 2,7-6,6 MM2).	40/253 211 007	X
9	78 29 674	Cosse Note: Code couleur jaune (section 2,7-6,6 MM2).	40/253 212 005	X
10	79 69 231	Cosse Note: Code couleur bleu (section 1,0-3,4 MM2).		X
11	78 29 625	Raccord Note: Code couleur bleu (section 1,5-2,5 MM2).	40/253 195 002, NLS	X
11	78 29 682	Cosse Note: Code couleur jaune (section 3,0-6,0 MM2).	40/253 226 005	X
11	78 29 633	Boîtier contact Note: Code couleur bleu (section 1,5-2,5 MM2).	40/253 197 008, NLS	X
11	78 29 609	Cosse Note: Code couleur rouge (section 0,3-1,5 MM2).	40/253 168 009	X
12	78 29 641	Tubulure Note: Code couleur bleu (section 1,5-2,5 MM2).	45/30 24 650	X
13	71 55 062	Cosse Note: Area 0,8-2,5 MM2.	JOINT PIECE, FOR CONTACT HOUSING, 9502998, NLS-USE 8522542	X
13	85 93 089	Cosse Note: Area 0,5-1,0 MM2.	JOINT PIECE, FOR CONTACT HOUSING, 9124181 9502998, 9503012	X
14	91 20 775	Cosse Note: Area 0,5-1,0 MM2.	RELAY HORN, RELAY REAR DEMIST, RELAY AC, AC DIOD, LIGHT FOR CONTACT HOUSING 8533655, 8533697, 9507658	X
15	71 55 039	Cosse Note: Area 1,5-2,5 MM2.	EL-CENTRAL, EARTH FOR CONTACT HOUSING 8516916, NLS	X
15	71 55 047	Cosse Note: Area 3,0-6,0 MM2.	EARTH, NLS	X
15	71 55 716	Cosse Note: Area 0,4-1,0 MM2.	EL-CENTRAL, JOINT PIECE, DOOR SWITCH, CIGARETTE LIGHTER FOR CONTACT HOUSING 8516916, 9123548	X
16	71 55 153	Cosse Note: Area 0,8-2,1 MM2.	FOR CONTACT HOUSING 7155112, 8558538, NLS-USE 8522534	X
16	79 72 029	Cosse Note: Area 1,0-2,5 MM2.	FOR CONTACT HOUSING, 8533697, 9503251, NLS-USE 8522534	X
16	79 71 708	Cosse Note: Area 0,5-1,5 MM2.	FOR CONTACT HOUSING 7155112, 8533697	X
16	79 68 068	Cosse Note: Area 4,0-6,0 MM2.	TIME RELAY COOLING FAN, FOR CONTACT HOUSING 8533697	X
16	85 82 454	Cosse Note: Area 0,5-1,5 MM2.	JOINT PIECE, FOR CONTACT HOUSING, 8558538 9512591	X
16	85 82 397	Cosse Note: Area 1,0-2,5 MM2.	JOINT PIECE, FOR CONTACT HOUSING, 7155112, NLS	X

Rep.	N° de pièce	Article	Usage	Qté
16	85 82 546	Cosse Note: Area 4,0-6,0 MM2.	JOINT PIECE, FOR CONTACT HOUSING, 7155112	X
17	79 69 256	Cosse Note: Area 4,0-6,0 MM2.	EL-CENTRAL	X
18	81 35 147	Cosse Note: Area 0,75-1,0 MM2.	FOR CONTACT HOUSING 8135600	X
18	81 38 679	Cosse Note: Area 1,0-3,5 MM2.	FOR CONTACT HOUSING 8135600	X
19	85 22 583	Cosse Note: Area 0,5-1,0 MM2.	FOR CONTACT HOUSING 8530099(8503153)	X
19	85 22 583	Cosse Note: Area 0,8-3,4 MM2.	FOR CONTACT HOUSING 8530099	X
20	85 93 964	Cosse Note: Area 0,5-1,5 MM2.	FOR CONTACT HOUSING 8521718, 8593964	X
20	95 19 398	Cosse Note: Area 0,8-1,5 MM2.	FOR CONTACT HOUSING 8579955, 9519406	X
21	85 09 846	Cosse Note: Area 0,5-1,4 MM2.	FOR CONTACT HOUSING 8378630, NLS-USE 8522575	X
21	85 30 107	Cosse Note: Area 0,5-1,5 MM2.	FOR CONTACT HOUSING 8530115	X
22	85 14 028	Cosse Note: Area 0,3-0,8 MM2.	TEMP SENSOR, OIL PRESSURE SENSOR, ALTERNATOR, FOR CONTACT HOUSING 8516916, NLS-USE 7155716	X
22	85 14 036	Cosse Note: Area 1,0-2,5 MM2.	RELAY GROUND SHEET JOINT PIECE, FOR CONTACT HOUSING, 8516916	X
23	85 21 593	Cosse Note: Area 0,5-1,5 MM2.	FAILUR SENSOR INTERVAL RELAY, FOR CONTACT HOUSING, 8544371 8574097, 8574121, 8579930 8593899, 8593907, 8593915 8593931, 8593949, 9123381 9506650	X
23	91 20 783	Cosse Note: Area 1,0-2,5 MM2.	AC DIOD FOR CONTACT HOUSING, 9502048	X
23	91 20 791	Cosse Note: Area 2,5-4,0 MM2.	EL-CENTRAL, FAILUR SENSOR, RELAY AC, JOINT PIECE, REAR DEMIST TIME RELAY AC, RELAY DIM DIP, RELAY BELT WARNING TIME RELAY, RELAY FOG LIGHT EXTRA, GEAR INDI- CATOR, HORN, RELAY LIGHT RELAY MOTOR, RELAY AC RELAY IGNITION LOCK RELAY FLASHER UNIT, RELAY INTERIOR LIGHT INTERVAL RELAY, MAIN RELAY, RELAY FUEL PUMP FOR CONTACT HOUSING 8533655, 9122789, 9122797 9124090, 9124157, 9124165 9124173, 9507658, 9519422	X
24	85 21 676	Cosse Note: Area 0,5-1,5 MM2.	SPOTLIGHT, LIGHT ASH TRAY, FOR CONTACT HOUSING 8521692, NLS-USE 8522526	X
24	85 21 684	Cosse Note: Area 1,0-2,5 MM2.	FOR CONTACT HOUSING 8521692, 9518416, NLS-USE 8522526	X
24	85 22 526	Cosse Note: Area 0,5-1,5 MM2.	FOR CONTACT HOUSING 8521692(8582421)	X
24	95 59 469	Cosse Note: Area 1,0-2,5 MM2.	DIM DIP	X

Rep.	N° de pièce	Article	Usage	Qté
25	85 33 028	Cosse Note: Area 0,5-1,5 MM2.	FOR CONTACT HOUSING 8533184, NLS-USE 8582439	X
25	85 82 439	Cosse Note: Area 0,5-1,5 MM2.	LIGHT ENGINE COMPARTMENT	X
26	85 41 203	Cosse Note: Area 0,5-1,5 MM2.	JOINT PIECE, FOR CONTACT HOUSING 8541229 8544363, 8574949, 9507658, NLS-USE 8560476	X
27	85 60 476	Cosse Note: Area 0,9-2,0 MM2.	FOR CONTACT HOUSING 8541229	X
27	85 41 211	Cosse Note: Area 2,5-4,0 MM2.	FOR CONTACT HOUSING 8544363	X
28	85 44 298	Cosse Note: Area 0,5-2,0 MM2.	JOINT PIECE, FOR CONTACT HOUSING, 8521700 8564919, 9525106, NLS-USE 8582595	X
28	85 44 306	Cosse Note: Area 2,0-4,0 MM2.	JOINT PIECE	X
28	85 82 090	Cosse Note: Area 0,5-1,5 MM2.	FOR CONTACT HOUSING 9503525	X
29	85 44 314	Cosse Note: Area 0,5-2,0 MM2.	FOR CONTACT HOUSING 8521718, 8564924 9525114, NLS-USE 8582603	X
29	85 44 322	Cosse Note: Area 2,0-4,0 MM2.	FOR CONTACT HOUSING 8564924	X
30	85 69 139	Cosse Note: Area 4,0-6,0 MM2.	EL-CENTRAL	X
30	79 69 264	Cosse Note: Area 4,0-6,0 MM2.	EL-CENTRAL	X
32	85 82 413	Cosse Note: Area 1,3-3,4 MM2.	FOR CONTACT HOUSING 7155021	X
33	85 87 552	Cosse Note: Area 0,5-1,5 MM2.	FOR CONTACT HOUSING 8521700, 9506643 9512591, 9525106	X
33	85 87 560	Cosse Note: Area 1,0-2,5 MM2.	FOR CONTACT HOUSING 9512591	X
34	95 21 972	Cosse Note: Area 0,5-1,0 MM2.	RELAY EARTH SHEET FOR CONTACT HOUSING, 9521972	X
34	95 21 980	Cosse Note: Area 1,5-2,5 MM2.	RELAY EARTH SHEET, NLS-USE 30520556	X
35	78 74 498	Connexion	FOR CONTACT HOUSING 9503277, 9503316, 9503319 9503418, 9503426, 9503434 9503475, 9506668, 9519679	X
36	78 74 506	Connexion	FOR CONTACT HOUSING 9501685, 9503327, 9506668	X
37	85 22 542	Cosse Note: Code couleur bleu (section 1,0-2,6 MM2).	FOR CONTACT HOUSING, 7155120	X
38	85 22 617	Cosse Note: Area 1,0-2,6 MM2.	AC, FOR CONTACT HOUSING, 8544371, 8586802	X
39	85 82 579	Cosse Note: Area 0,5-1,0 MM2.	JOINT PIECE	X
40	95 08 706	Cosse Note: Area 0,75-1,5 MM2.	RELAY GROUND SHEET, NLS-USE 30520560	X
40	91 20 668	Cosse Note: Area 0,75-1,5 MM2.	BULB CONTROL INTERVAL RELAY, TIME RELAY AC, FOR CONTACT HOUSING, 8539363 8579930, 8586802, 8593899 8593907, 8593915, 8593923 8593931, 8593949, 8597064 9123381, 9123548, 9123555 9506650, 9519414, 9519455, NLS-USE 30520560 9529496, 9561358, 9564071 9564089	X

Rep.	N° de pièce	Article	Usage	Qté
40	95 08 748	Cosse Note: Area 1,5-2,5 MM2.	FOR CONTACT HOUSING, 9514803, NLS-USE 30520560	X
41	95 52 100	Cosse Note: Area 0,75-1,5 MM2.	FOR CONTACT HOUSING, 9122557	X
42	95 52 175	Cosse	FOR CONTACT HOUSING 9552159	X
42	95 09 746	Cosse	FOR CONTACT HOUSING 9512930	X
44	71 55 203	Douille raccord Note: Code couleur rouge (section 0,25-1,6 MM2).	40/253 164 008	X
44	71 55 146	Douille raccord Note: Code couleur bleu (section 1,0-2,6 MM2).	40/253 188 007	X
44	71 55 633	Douille raccord Note: Code couleur jaune (section 2,7-6,6 MM2).	40/253 221 006	X
45	85 87 198	Joint câble Note: Area 0,5-0,75 MM2.		X
45	85 21 668	Joint câble Note: Area 0,8-2,1 MM2.		X



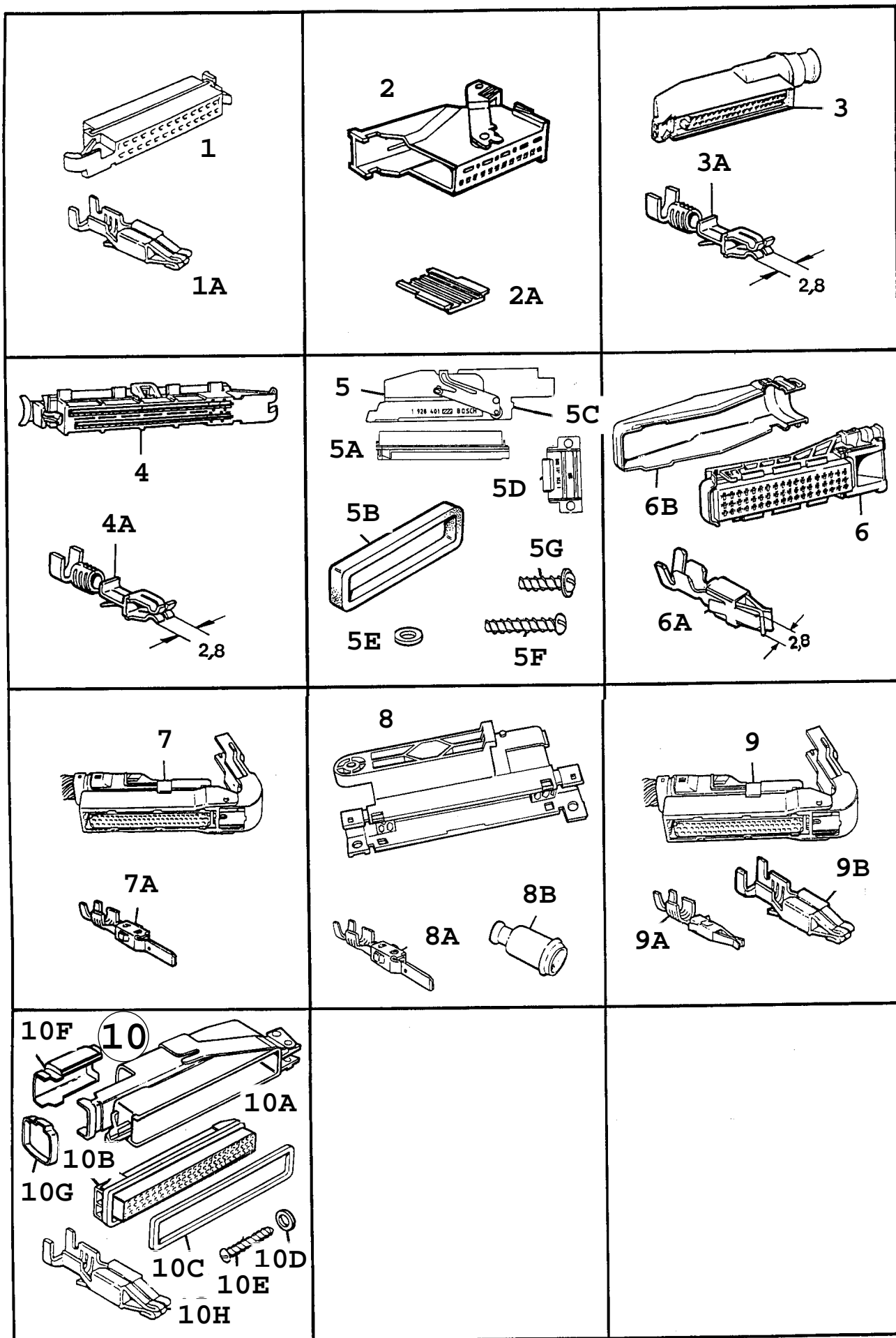
F4635 CAC93

Rep.	N° de pièce	Article	Usage	Qté
1	71 55 211	Cosse Note: Area 0,3-1,5 MM2.	40/253 152 003	X
2	71 55 229	Cosse Note: Area 0,3-1,5 MM2.	40/253 153 001	X
3	71 55 237	Cosse Note: Area 1,0-2,6 MM2.	40/253 172 001	X
4	71 17 880	Cosse Note: Area 1,0-2,6 MM2.	40/253 173 009	X
5	78 29 617	Cosse Note: Area 1,0-2,6 MM2.	40/253 174 007	X
6	79 59 349	Cosse Note: Area 1,0-2,6 MM2.		X
7	71 55 658	Cosse Note: Area 2,7-6,6 MM2.	40/253 210 009	X
8	78 29 666	Cosse Note: Area 2,7-6,6 MM2.	40/253 211 007	X
9	78 29 674	Cosse Note: Area 2,7-6,6 MM2.	40/253 212 005	X
9	79 77 556	Cosse Note: Area 1,0-2,5 MM2.	GROUND ABS	X
10	79 69 231	Cosse Note: Area 1,0-3,4 MM2.		X
11	78 29 625	Raccord Note: Area 1,5-2,5 MM2.	40/253 195 002, NLS	X
11	78 29 682	Cosse Note: Area 3,0-6,0 MM2.	40/253 226 005	X
11	78 29 633	Boîtier contact Note: Area 1,5-2,5 MM2.	40/253 197 008, NLS	X
11	78 29 609	Cosse Note: Area 0,3-1,5 MM2.	40/253 168 009	X
12	78 29 641	Tubulure Note: Area 1,5-2,5 MM2.	40/253 196 000	X
13	85 93 089	Cosse Note: Area 0,5-1,0 MM2.	JOINT PIECE TRUNK LID	X
14	91 20 775	Cosse Note: Area 0,5-1,0 MM2.	RELAY HORN, RELAY REAR DEMIST, RELAY AC, AC DIOD, LIGHT FOR CONTACT HOUSING 8533697	X
14	43 54 353	Cosse Note: Area 0,5-1,0 MM2.	FOR CONTACT HOUSING 4176616	X
15	85 14 036	Cosse Note: Area 1,5-2,5 MM2.	EL-CENTRAL, EARTH	X
15	71 55 047	Cosse Note: Area 4,0-6,0 MM2.	EL-CENTRAL, NLS	X
15	71 55 716	Cosse Note: Area 0,4-1,0 MM2.	EL-CENTRAL, JOINT PIECE, DISTRIBUTOR TERMINAL, CIGARETTE LIGHTER, STOP LIGHT HIGH MOUNTED STOP LIGHT FOR CONTACT HOUSING 8516916, 8533184	X
16	71 55 153	Cosse	FOR CONTACT HOUSING 7155112, 8558538, NLS-USE 8522534	X
16	79 72 029	Cosse Note: Area 1,0-2,5 MM2.	FOR CONTACT HOUSING, 8533697, 9503251, NLS-USE 8522534	X
16	79 71 708	Cosse Note: Area 0,5-1,5 MM2.	FOR CONTACT HOUSING 7155096, 7155112	X
16	85 82 454	Cosse Note: Area 0,5-1,5 MM2.	TEST CONNECTOR, FOR CONTACT HOUSING, 8558538	X
16	79 68 068	Cosse Note: Area 4,0-6,0 MM2.	FOR CONTACT HOUSING, 9503251	X
17	79 69 256	Cosse Note: Area 4,0-6,0 MM2.	EL-CENTRAL, RELAY DISTRIBUTION TERMINAL	X

Rep.	N° de pièce	Article	Usage	Qté
18	81 35 147	Cosse Note: Area 0,75-1,0 MM2.	FOR CONTACT HOUSING 8135600	X
18	81 38 679	Cosse Note: Area 1,0-3,5 MM2.	FOR CONTACT HOUSING 8135600	X
19	85 22 583	Cosse Note: Area 0,8-3,4 MM2.	FOR CONTACT HOUSING 8530099	X
20	85 93 964	Cosse Note: Area 0,5-1,5 MM2.	FOR CONTACT HOUSING 8593964	X
20	95 19 398	Cosse Note: Area 0,8-1,5 MM2.	FOR CONTACT HOUSING, 9519406	X
20	95 26 401	Cosse Note: Area 0,2-0,56 MM2.	FOR CONTACT HOUSING, 9529512	X
21	85 09 846	Cosse Note: Area 0,5-1,4 MM2.	FOR CONTACT HOUSING 8378630, NLS-USE 8522575	X
21	85 30 107	Cosse Note: Area 0,5-1,5 MM2.	FOR CONTACT HOUSING 8530115	X
22	85 14 028	Cosse Note: Area 0,3-0,8 MM2.	TEMP SENSOR, OIL PRESSURE SENSOR, ALTERNATOR, FOR CONTACT HOUSING 8516916, NLS-USE 7155716	X
22	85 14 036	Cosse Note: Area 1,0-2,5 MM2.	GROUND, JOINT	X
23	85 21 593	Cosse Note: Area 0,5-1,5 MM2.	PIECE FAILUR SENSOR INTERVAL RELAY, FOR CONTACT HOUSING, 8544371 8574097, 8574121, 8579930 8593899, 8593907, 8593915 8593931, 8593949, 9123381 9506650	X
23	91 20 783	Cosse Note: Area 1,0-2,5 MM2.	AC DIOD FOR CONTACT HOUSING, 9124157, 9502048	X
23	91 20 791	Cosse Note: Area 2,5-4,0 MM2.	EL-CENTRAL, FAILUR SENSOR, RELAY AC, JOINT PIECE, REAR DEMIST, TIME RELAY AC, RELAY DIM DIP RELAY BELT WARNING RELAY FOG LIGHT EXTRA GEAR INDICATOR, HORN PUMP RELAY ABS, RELAY MOTOR, MAIN RELAY ABS RELAY IGNITION LOCK RELAY FLASHER UNIT, RELAY INTERIOR LIGHT INTERVAL RELAY, MAIN RELAY, RELAY FUEL PUMP COOLING FAN, RELAY DAY DRIVING LIGHT, FOR CONTACT HOUSING, 4069274 4109427, 9122789, 9122797 9124090, 9124157, 9124165 9124173, 9125543	X
23	40 61 586	Cosse Note: Area 1,0-2,5 MM2.	FOR CONTACT HOUSING 4113205, 4113619, 4113809 4114005, 4114021, 4114039 4113205, 4176244, 4178422 4178430, 4352944, 4353637	X
23	43 50 526	Cosse Note: Area 1,0-2,5 MM2.	FOR CONTACT HOUSING 4113627	X
24	85 21 676	Cosse Note: Area 0,5-1,5 MM2.	SPOTLIGHT, LIGHT ASH TRAY, FOR CONTACT HOUSING 8521692, NLS-USE 8522526	X
24	85 21 684	Cosse Note: Area 1,0-2,5 MM2.	FOR CONTACT HOUSING 8521692, NLS-USE 8522526	X
24	85 82 421	Cosse Note: Area 0,5-1,5 MM2.	FOR CONTACT HOUSING 8521692, NLS-USE 8522526	X

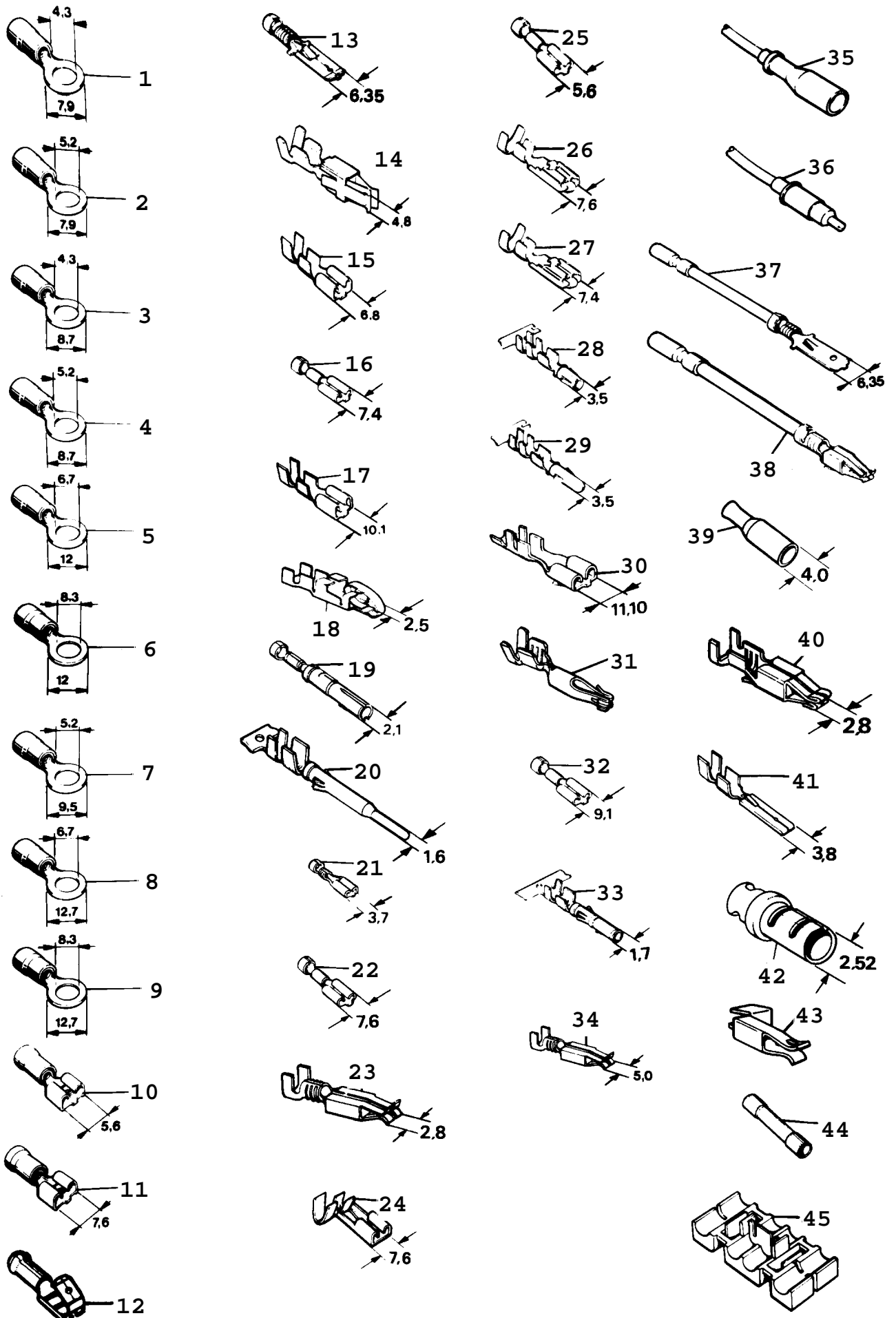
Rep.	N° de pièce	Article	Usage	Qté
25	85 33 028	Cosse Note: Area 0,5-1,5 MM2.	FOR CONTACT HOUSING 8533184, NLS-USE 8582439	X
26	85 41 203	Cosse Note: Area 0,5-1,5 MM2.	SPOTLIGHT, LIGHT INSTEP, BELT WARNING, FOR CONTACT HOUSING 8541229 8544363, 8574949, 9507658, NLS-USE 8560476	X
27	85 60 476	Cosse Note: Area 0,9-2,0 MM2.	SWITCH INTERIOR LIGHT	X
27	85 41 211	Cosse Note: Area 2,5-4,0 MM2.	FOR CONTACT HOUSING 8544363	X
27	85 22 534	Cosse Note: Area 0,5-1,5 MM2.	LIGHT INSTEP, FOR CONTACT HOUSING 7155112	X
28	85 44 298	Cosse Note: Area 0,5-2,0 MM2.	FOR CONTACT HOUSING 8521700, 8564916, NLS-USE 8582595	X
28	85 44 306	Cosse Note: Area 2,0-4,0 MM2.	REAR DEMIST	X
28	85 82 595	Cosse Note: Area 0,5-2,0 MM2.	LIGHT NUMBER PLATE DOOR SWITCH, HIGH MOUNTED STOP LIGHT JOINT PIECE CENTRAL LOCK	X
29	85 44 314	Cosse Note: Area 0,5-2,0 MM2.	FOR CONTACT HOUSING 8521718, 8564924 9525114, NLS-USE 8582603	X
29	85 44 322	Cosse Note: Area 2,0-4,0 MM2.	FOR CONTACT HOUSING 8564924	X
30	85 69 139	Cosse	EL-CENTRAL, RELAY DISTRIBUTION TERMINAL	X
30	95 15 024	Cosse Note: Area 6,0-8,5 MM2.	FUSE BOX, RELAY DISTRIBUTION TERMINAL, EL- CENTRAL	X
31	95 27 771	Cosse	FOR CONTACT HOUSING 9527755	X
32	85 82 413	Cosse	FOR CONTACT HOUSING 7155021	X
33	85 87 552	Cosse Note: Area 0,5-1,5 MM2.	FOR CONTACT HOUSING 8521700, 9512591 9525106	X
33	85 87 560	Cosse Note: Area 1,0-2,5 MM2.	FOR CONTACT HOUSING 9512591	X
33	95 25 817	Cosse Note: Area 0,2-0,56 MM2.	FOR CONTACT HOUSING 9529538	X
34	95 21 972	Cosse Note: Area 0,5-1,0 MM2.	RELAY GROUND SHEET	X
34	95 21 980	Cosse Note: Area 1,5-2,5 MM2.	RELAY GROUND SHEET, NLS-USE 30520556	X
35	40 63 970	Cosse Note: Area 0,5-1,0 MM2.	FOR CONTACT HOUSING 4060869, 9565045	X
36	78 74 498	Connexion Note: Area 0,2-1,5 MM2.	FOR CONTACT HOUSING 9503277, 9503316, 9503418 9503434, 9503475, 9506668 9519679	X
36	85 47 796	Bloc connexion Note: Area 0,2-2,5 MM2.	SIDE DIRECTION INDI FOR CONTACT HOUSING, 9503277, 9503418, 9503475 9519679	X
36	85 47 804	Bloc connexion Note: Area 2,5-4,0 MM2.		X
37	78 74 506	Connexion Note: Area 0,2-1,5 MM2.	FOR CONTACT HOUSING 9501685, 9503426, 9506668	X
38	85 22 542	Cosse Note: Area 1,0-2,6 MM2.	FOR CONTACT HOUSING, 7155120	X
39	85 22 617	Cosse Note: Area 1,0-2,6 MM2.	AC	X

Rep.	N° de pièce	Article	Usage	Qté
40	85 82 579	Cosse Note: Area 0,5-1,0 MM2.	JOINT PIECE	X
41	95 08 706	Cosse Note: Area 0,75-1,5 MM2.	RELAY GROUND SHEET, NLS-USE 30520560	X
41	91 20 668	Cosse Note: Area 0,75-1,5 MM2.	BULB CONTROL INTERVAL RELAY, TIME RELAY AC, RELAY BELT WARNING, FOR CONTACT HOUSING, 8579930, 8593899 8593907, 8593915, 8593931 8593949, 8597064, 9123381 9123548, 9123555, 9125519, NLS-USE 30520560 9519414, 9519455, 9564089 9566266, 9566282	X
41	91 20 957	Cosse Note: Area 1,0-2,5 MM2.	FOR CONTACT HOUSING 4061503, 4109278, 4109500 4109518, 4113809, 4114005 4114021, 4114633, 4175428 4176186, 4176269, 4176582 8593923, 9123381, 9123399 9123548, 9123555, 9125519 9503475, 9525031, 9565045, NLS-USE 30520560	X
42	95 52 126	Cosse Note: Area 0,5-1,0 MM2.	FOR CONTACT HOUSING, 9122557, NLS-USE 9552100	X
43	95 52 175	Cosse	FOR CONTACT HOUSING 9552167	X
43	95 09 746	Cosse	FOR CONTACT HOUSING 9512930	X
45	41 15 077	Cosse Note: Area 1,0-2,5 MM2.	FOR CONTACT HOUSING 4117164, 4117263, 4117461 4117479, NLS-USE 12789934	X
45	41 15 192	Cosse Note: Area 1,0-2,5 MM2.	FOR CONTACT HOUSING 4113668, 4114062, 4114070 4114088, 4114153	X
46	41 15 580	Cosse Note: Area 1,0-2,5 MM2.	JOINT PIECE MAIN CABLE HARNESS, FOR CONTACT HOUSING, 4117560 4117669, 4117768	X
47	71 55 203	Douille raccord Note: Area 0,3-1,5 MM2.	40/253 164 008	X
47	71 55 146	Douille raccord Note: Area 1,0-2,6 MM2.	40/253 188 007	X
47	71 55 633	Douille raccord Note: Area 2,7-6,6 MM2.	40/253 221 006	X
48	85 87 198	Joint câble Note: Area 0,5-0,75 MM2.		X
48	85 21 668	Joint câble Note: Area 0,8-2,1 MM2.		X



Rep.	N° de pièce	Article	Usage	Qté
1	45 37 429	Boîtier contact 25-poles, douille	THEFT ALARM	X
1A	91 20 957	Cosse	AREA, 1, 0-2, 5 MM2, NLS-USE 30520560	X
2	47 34 455	Capot 30-poles	DIAGNOSTIC UNIT AIR-BAG	X
2A	47 34 471	Verrouillage		X
3	44 34 031	Boîtier contact 35-poles, douille	TCS	X
3A	91 20 957	Cosse	AREA, 1, 0-2, 5 MM2, NLS-USE 30520560	X
4	95 65 045	Boîtier contact 39-poles, douille	ELECTRONIC UNIT ACC, EDU	X
4A	40 63 970	Cosse	AREA, 0, 5-1, 0 MM2	X
4A	91 20 957	Cosse	AREA, 1, 0-2, 5 MM2, NLS-USE 30520560	X
5	45 17 629	Boîtier de connecteur 55-poles, douille	ELECTRONIC UNIT MOTRONIC	X
5A	42 24 630	*Boîtier de connecteur Note: N'est pas une pièce de rechange distincte.		1
5B	42 24 655	*Joint Note: N'est pas une pièce de rechange distincte.		1
5C	45 17 637	*Capot Note: N'est pas une pièce de rechange distincte.		1
5D	45 17 652	*Joint Note: N'est pas une pièce de rechange distincte.		1
5E	85 87 461	Joint		1
5F	42 23 483	Vis		1
5G	42 23 574	Vis		1
5H	91 20 957	Cosse	NLS-USE 30520560	X
6	43 53 637	Boîtier contact 55-poles, douille	ELECTRONIC UNIT ABS WITH TCS	X
6A	40 61 586	Cosse	AREA, 1, 5-2, 5 MM2	X
6B	44 18 380	Capot		X
7	41 76 616	Boîtier de connecteur 70-poles, douille	ELECTRONIC UNIT TRIONIC	X
7A	43 54 353	Cosse	AREA, 0, 5-1, 0 MM2	X
7A	40 61 586	Cosse	AREA, 1, 5-2, 5 MM2	X
8	43 54 692	Boîtier de connecteur 70-poles, douille	JOINT MAIN CABLE HARNESS	X
8	45 35 530	Cosse	AREA, 0, 5-1, 0 MM2	X
8A	45 38 625	Cosse	AREA, 0, 5-1, 0 MM2, NLS-USE 4516043	X
8A	41 15 192	Cosse	AREA, 1, 0-2, 5 MM2	X
8B	43 54 239	Joint gris		X
8B	43 54 239	Joint blanc		X
9	41 76 624	Boîtier de connecteur 70-poles, douille	JOINT ENGINE	X
9A	43 54 353	Cosse	AREA, 0, 5-1, 0 MM2	X
9B	40 61 586	Cosse	AREA, 1, 5-2, 5 MM2	X
10	42 22 451	Boîtier contact 88-poles, douille	ELECTRONIC CONTROL MOTRONIC	X

Rep.	N° de pièce	Article	Usage	Qté
10A	42 23 558	*Capot Note: N'est pas une pièce de rechange distincte.		1
10B	42 23 541	*Boîtier contact Note: N'est pas une pièce de rechange distincte.		1
10C	42 23 566	*Joint Note: N'est pas une pièce de rechange distincte.		1
10D	85 87 461	*Joint		1
10E	42 23 574	*Vis Note: N'est pas une pièce de rechange distincte.		1
10F	42 23 582	*Support câbles Note: N'est pas une pièce de rechange distincte.		1
10G	42 23 590	*Ruban serrage Note: N'est pas une pièce de rechange distincte.		1
10H	91 20 957	Cosse	AREA, 1, 0-2, 5 MM2, NLS-USE 30520560	X



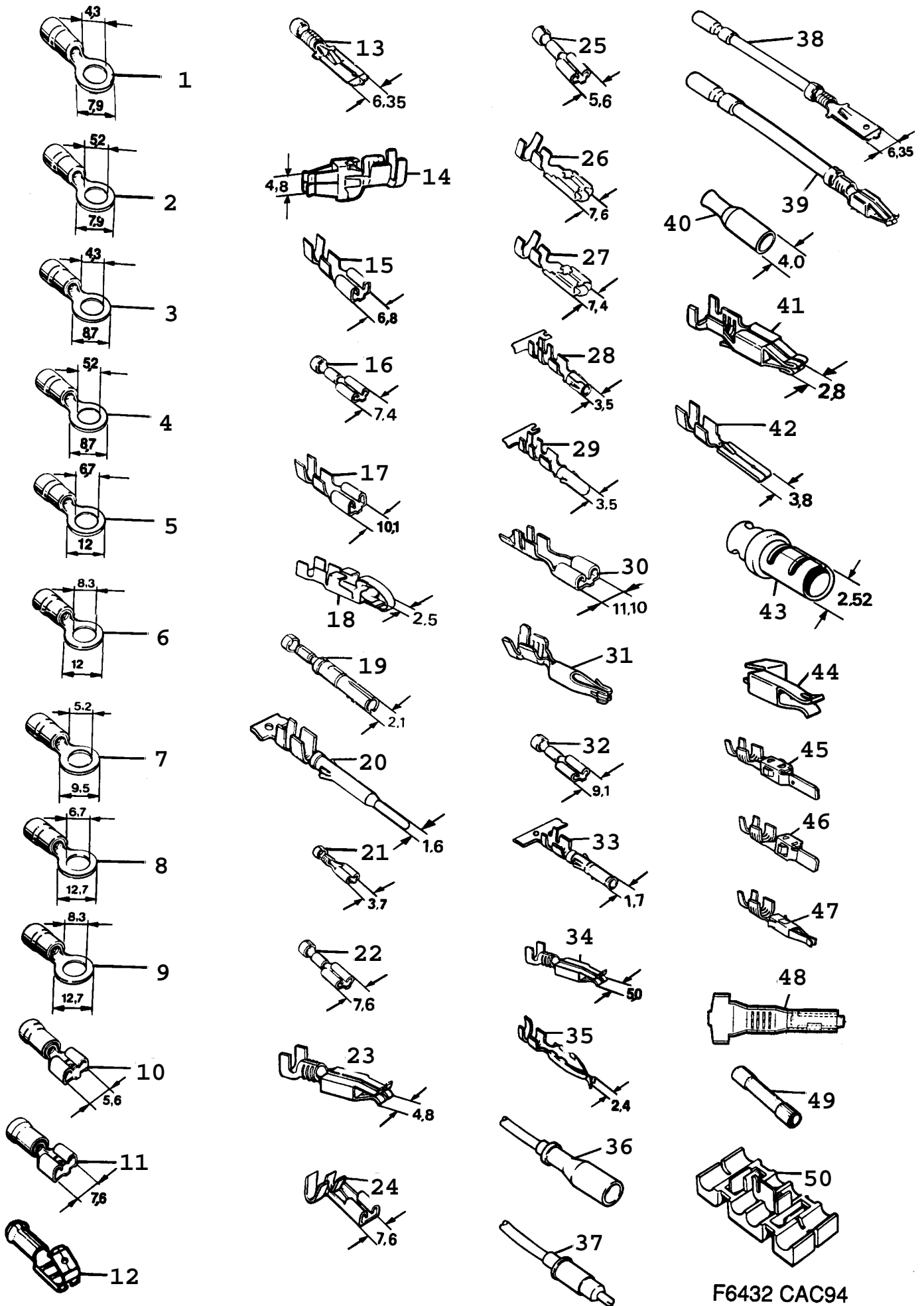
F0769 - 9000

Rep.	N° de pièce	Article	Usage	Qté
1	71 55 211	Cosse Note: Code couleur rouge (section 0,25-1,6 MM2).	40/253 152 003	X
2	71 55 229	Cosse Note: Code couleur rouge (section 0,25-1,6 MM2).	40/253 153 001	X
3	71 55 237	Cosse Note: Code couleur bleu (section 1,0-2,6 MM2).	40/253 172 001	X
4	71 17 880	Cosse Note: Code couleur bleu (section 1,0-2,6 MM2).	40/253 173 009	X
5	78 29 617	Cosse Note: Code couleur bleu (section 1,0-2,6 MM2).	40/253 174 007	X
6	79 59 349	Cosse Note: Code couleur bleu (section 1,0-2,6 MM2).		X
7	71 55 658	Cosse Note: Code couleur jaune (section 2,7-6,6 MM2).	40/253 210 009	X
8	78 29 666	Cosse Note: Code couleur jaune (section 2,7-6,6 MM2).	40/253 211 007	X
9	78 29 674	Cosse Note: Code couleur jaune (section 2,7-6,6 MM2).	40/253 212 005	X
9	79 77 556	Cosse Note: Area 1,0-2,5 MM2.	GROUND ABS	X
10	79 69 231	Cosse Note: Code couleur bleu (section 1,0-3,4 MM2).		X
11	78 29 625	Raccord Note: Code couleur bleu (section 1,5-2,5 MM2).	40/253 195 002, NLS	X
11	78 29 682	Cosse Note: Code couleur jaune (section 3,0-6,0 MM2).	40/253 226 005	X
11	78 29 633	Boîtier contact Note: Code couleur bleu (section 1,5-2,5 MM2).	40/253 197 008, NLS	X
11	78 29 609	Cosse Note: Code couleur rouge (section 0,3-1,5 MM2).	40/253 168 009	X
12	78 29 641	Tubulure Note: Code couleur bleu (section 1,5-2,5 MM2).	45/30 24 650	X
13	71 55 062	Cosse Note: Area 0,8-2,5 MM2.	JOINT PIECE, FOR CONTACT HOUSING, 9502998 9503012, NLS-USE 8522542	X
13	85 93 089	Cosse Note: Area 0,5-1,0 MM2.	JOINT PIECE TRUNK LID, HIGH MOUNTED STOP LIGHT, FOR CONTACT HOUSING, 9124181 9502998, 9503012	X
14	91 20 775	Cosse Note: Area 0,5-1,0 MM2.	RELAY HORN, RELAY REAR DEMIST, RELAY AC, AC DIOD, LIGHT FOR CONTACT HOUSING 8533697, 9507658	X
15	71 55 039	Cosse Note: Area 1,5-2,5 MM2.	EL-CENTRAL, EARTH, NLS	X
15	71 55 716	Cosse Note: Area 0,4-1,0 MM2.	EL-CENTRAL, DOOR SWITCH, CIGARETTE LIGHTER, DISTRIBUTOR TERMINAL, JOINT PIECE TRUNK LID, JOINT PIECE BRAKE LIGHT, FOR CONTACT HOUSING, 8516916, 8561623	X
16	71 55 153	Cosse Note: Area 0,8-2,1 MM2.	FOR CONTACT HOUSING 7155112, 8558538, NLS-USE 8522534	X
16	79 72 029	Cosse Note: Area 1,0-2,5 MM2.	FOR CONTACT HOUSING, 8533697, 9503251, NLS-USE 8522534	X
16	79 71 708	Cosse Note: Area 0,5-1,5 MM2.	FOR CONTACT HOUSING 7155096, 7155112 8533697	X
16	79 68 068	Cosse Note: Area 4,0-6,0 MM2.	FOR CONTACT HOUSING, 8533697	X
16	85 82 454	Cosse Note: Area 0,5-1,5 MM2.	TEST CONNECTOR, FOR CONTACT HOUSING, 8558538 9512591	X

Rep.	N° de pièce	Article	Usage	Qté
17	79 69 256	Cosse Note: Area 4,0-6,0 MM2.	EL-CENTRAL, RELAY DISTRIBUTION TERMINAL, DISTRIBUTION TERMINAL FOR CONTACT HOUSING 8135600	X
18	81 38 679	Cosse Note: Area 1,0-3,5 MM2.	FOR CONTACT HOUSING 8135600	X
19	85 22 583	Cosse Note: Area 0,8-3,4 MM2.	FOR CONTACT HOUSING 8530099	X
20	85 93 964	Cosse Note: Area 0,5-1,5 MM2.	FOR CONTACT HOUSING 8521718, 8593964	X
20	95 19 398	Cosse Note: Area 0,8-1,5 MM2.	FOR CONTACT HOUSING, 9519406	X
20	95 26 401	Cosse Note: Area 0,2-0,56 MM2.	FOR CONTACT HOUSING, 9529512	X
21	85 09 846	Cosse Note: Area 0,5-1,4 MM2.	FOR CONTACT HOUSING 8378630, NLS-USE 8522575	X
21	85 30 107	Cosse Note: Area 0,5-1,5 MM2.	FOR CONTACT HOUSING 8530115	X
22	85 14 028	Cosse Note: Area 0,3-0,8 MM2.	TEMP SENSOR, OIL PRESSURE SENSOR, ALTERNATOR, FOR CONTACT HOUSING 8516916, NLS-USE 7155716	X
22	85 14 036	Cosse Note: Area 1,0-2,5 MM2.	STARTER, EARTH JOINT PIECE, FOR CONTACT HOUSING, 8516916	X
23	85 21 593	Cosse Note: Area 0,5-1,5 MM2.	FAILUR SENSOR INTERVAL RELAY, FOR CONTACT HOUSING, 8544371 8574097, 8574121, 8579930 8593899, 8593907, 8593915 8593931, 8593949, 9123381 9506650	X
23	91 20 783	Cosse Note: Area 1,0-2,5 MM2.	AC DIOD FOR CONTACT HOUSING, 9502048	X
23	91 20 791	Cosse Note: Area 2,5-4,0 MM2.	EL-CENTRAL, FAILUR SENSOR, RELAY AC, JOINT PIECE, REAR DEMIST, TIME RELAY AC, RELAY DIM DIP RELAY BELT WARNING RELAY FOG LIGHT EXTRA GEAR INDICATOR, HORN PUMP RELAY ABS, RELAY MOTOR, MAIN RELAY ABS RELAY IGNITION LOCK RELAY FLASHER UNIT, RELAY INTERIOR LIGHT INTERVAL RELAY, MAIN RELAY, RELAY FUEL PUMP COOLING FAN, RELAY DAY DRIVING LIGHT FOR CONTACT HOUSING 8533655, 9122789, 9122797 9124090, 9124157, 9124165 9124173, 9507658, 9519422	X
24	85 21 676	Cosse Note: Area 0,5-1,5 MM2.	SPOTLIGHT, LIGHT ASH TRAY, FOR CONTACT HOUSING 8521692, NLS-USE 8522526	X
24	85 21 684	Cosse Note: Area 1,0-2,5 MM2.	FOR CONTACT HOUSING 8521692, 9518416, NLS-USE 8522526	X
24	85 22 526	Cosse Note: Area 0,5-1,5 MM2.	LIGHT INSTEP FOR CONTACT HOUSING 8521692, (8582421)	X
24	95 59 469	Cosse Note: Area 1,0-2,5 MM2.	DIM DIP	X

Rep.	N° de pièce	Article	Usage	Qté
25	85 33 028	Cosse Note: Area 0,5-1,5 MM2.	FOR CONTACT HOUSING 8533184, NLS-USE 8582439	X
25	85 82 439	Cosse Note: Area 0,5-1,5 MM2.	LIGHT ENGINE COMPARTMENT	X
26	85 41 203	Cosse Note: Area 0,5-1,5 MM2.	LIGHT GLOVE BOX LIGHT CONTROLS, LIGHT INSTEP, SPOTLIGHT, FOR CONTACT HOUSING 8541229 8544363, 8574949, 9507658, NLS-USE 8560476	X
27	85 60 476	Cosse Note: Area 0,9-2,0 MM2.	FOR CONTACT HOUSING 8541229	X
27	85 41 211	Cosse Note: Area 2,5-4,0 MM2.	FOR CONTACT HOUSING 8544363	X
28	85 44 298	Cosse Note: Area 0,5-2,0 MM2.	JOINT PIECE, FOR CONTACT HOUSING, 8521700 8564919, 9525106, NLS-USE 8582595	X
28	85 44 306	Cosse Note: Area 2,0-4,0 MM2.	JOINT PIECE	X
28	85 82 090	Cosse Note: Area 0,5-1,5 MM2.	FOR CONTACT HOUSING 9503525	X
29	85 44 314	Cosse Note: Area 0,5-2,0 MM2.	FOR CONTACT HOUSING 8521718, 8564924 9525114, NLS-USE 8582603	X
29	85 44 322	Cosse Note: Area 2,0-4,0 MM2.	FOR CONTACT HOUSING 8564924	X
30	85 69 139	Cosse Note: Area 4,0-6,0 MM2.	EL-CENTRAL, RELAY DISTRIBUTION TERMINAL	X
30	95 15 024	Cosse Note: Area 6,0-8,5 MM2.	FUSE BOX, RELAY DISTRIBUTION TERMINAL, EL- CENTRAL	X
30	79 69 264	Cosse Note: Area 4,0-6,0 MM2.	EL-CENTRAL	X
31	95 27 771	Cosse	FOR CONTACT HOUSING 9527755	X
32	85 82 413	Cosse Note: Area 1,3-3,4 MM2.	FOR CONTACT HOUSING 7155021	X
33	85 87 552	Cosse Note: Area 0,5-1,5 MM2.	FOR CONTACT HOUSING 8521700, 9506643 9512591, 9525106	X
33	85 87 560	Cosse Note: Area 1,0-2,5 MM2.	FOR CONTACT HOUSING 9512591	X
34	95 21 972	Cosse Note: Area 0,5-1,0 MM2.	RELAY EARTH SHEET	X
34	95 21 980	Cosse Note: Area 1,5-2,5 MM2.	RELAY EARTH SHEET, NLS-USE 30520556	X
35	78 74 498	Connexion	FOR CONTACT HOUSING 9503277, 9503316, 9503319 9503418, 9503426, 9503434 9503475, 9506668, 9519679	X
36	78 74 506	Connexion	FOR CONTACT HOUSING 9501685, 9503327, 9503426 9506668	X
37	85 22 542	Cosse Note: Code couleur bleu (section 1,0-2,6 MM2).	FOR CONTACT HOUSING, 7155120	X
38	85 22 617	Cosse Note: Area 1,0-2,6 MM2.	AC	X
39	85 82 579	Cosse Note: Area 0,5-1,0 MM2.	JOINT PIECE	X
40	95 08 706	Cosse Note: Area 0,75-1,5 MM2.	RELAY GROUND SHEET, NLS-USE 30520560	X

Rep.	N° de pièce	Article	Usage	Qté
40	91 20 668	Cosse Note: Area 0,75-1,5 MM2.	BULB CONTROL INTERVAL RELAY, TIME RELAY AC, RELAY BELT WARNING, FOR CONTACT HOUSING 8579930, 8593899 8593907, 8593915, 8593923 8593931, 8593949, 8597064 9123381, 9123548, 9123555, NLS-USE 30520560 9125519, 9506650, 9519414 9514803, 9519455, 9529496 9564089, 9566266, 9566282	X
41	95 52 100	Cosse Note: Area 0,75-1,5 MM2.	FOR CONTACT HOUSING, 9122557, 9518739	X
41	95 52 126	Cosse Note: Area 0,5-1,0 MM2.	FOR CONTACT HOUSING, 9122557, NLS-USE 9552100	X
42	95 52 175	Cosse	FOR CONTACT HOUSING 9552159, 9552167	X
42	95 09 746	Cosse	FOR CONTACT HOUSING 9512930	X
44	71 55 203	Douille raccord Note: Code couleur rouge (section 0,25-1,6 MM2).	40/253 164 008	X
44	71 55 146	Douille raccord Note: Code couleur bleu (section 1,0-2,6 MM2).	40/253 188 007	X
44	71 55 633	Douille raccord Note: Code couleur jaune (section 2,7-6,6 MM2).	40/253 221 006	X
45	85 87 198	Joint câble Note: Area 0,5-0,75 MM2.		X
45	85 21 668	Joint câble Note: Area 0,8-2,1 MM2.		X



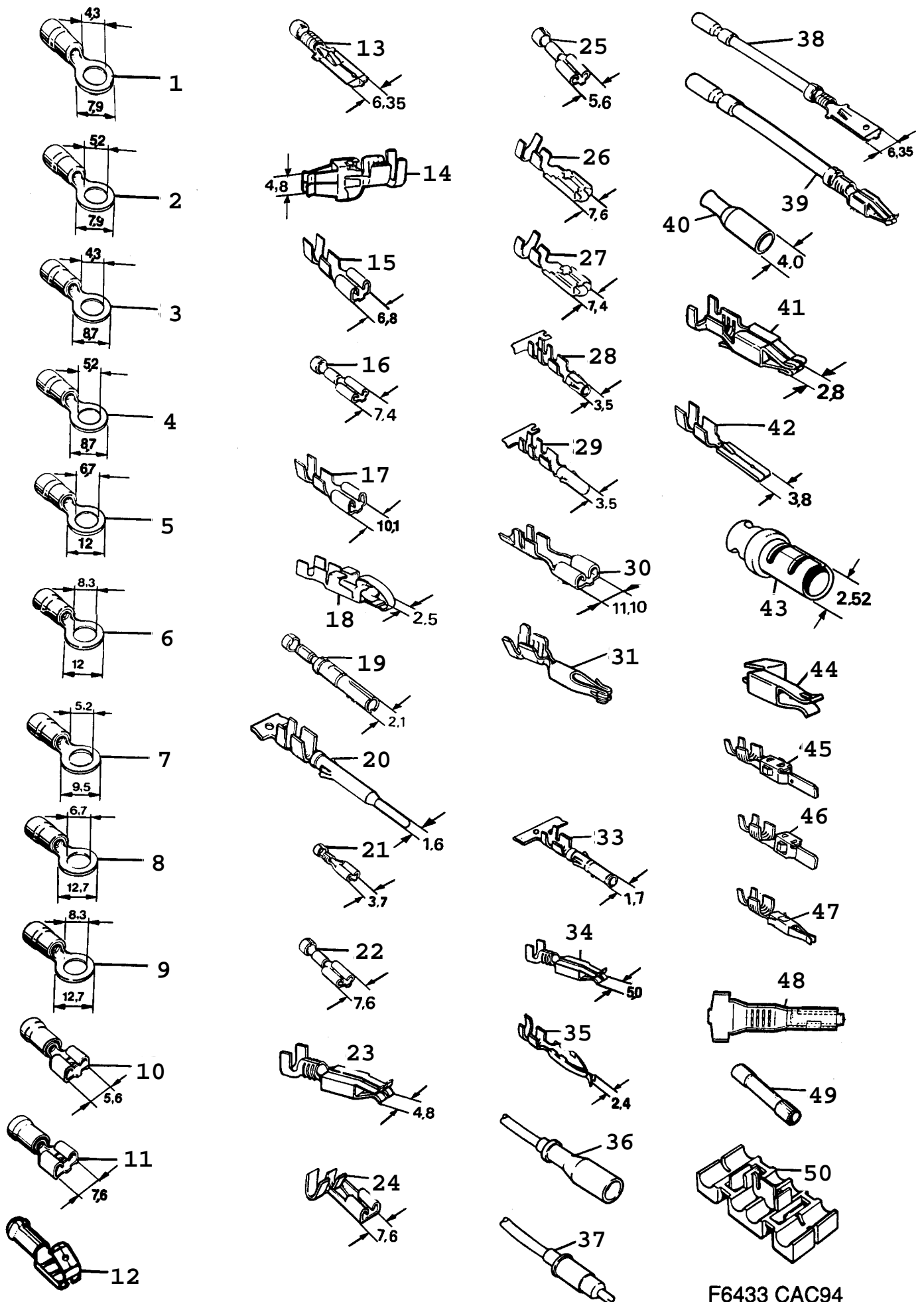
F6432 CAC94

Rep.	N° de pièce	Article	Usage	Qté
1	71 55 211	Cosse Note: Area 0,3-1,5 MM2.	40/253 152 003	X
2	71 55 229	Cosse Note: Area 0,3-1,5 MM2.	40/253 153 001	X
3	71 55 237	Cosse Note: Area 1,0-2,6 MM2.	40/253 172 001	X
4	71 17 880	Cosse Note: Area 1,0-2,6 MM2.	40/253 173 009	X
5	78 29 617	Cosse Note: Area 1,0-2,6 MM2.	40/253 174 007	X
6	79 59 349	Cosse Note: Area 1,0-2,6 MM2.		X
7	71 55 658	Cosse Note: Area 2,7-6,6 MM2.	40/253 210 009	X
8	78 29 666	Cosse Note: Area 2,7-6,6 MM2.	40/253 211 007	X
9	78 29 674	Cosse Note: Area 2,7-6,6 MM2.	40/253 212 005	X
9	79 77 556	Cosse Note: Area 1,0-2,5 MM2.	GROUND ABS	X
10	79 69 231	Cosse Note: Area 1,0-3,4 MM2.		X
11	78 29 625	Raccord Note: Area 1,5-2,5 MM2.	40/253 195 002, NLS	X
11	78 29 682	Cosse Note: Area 3,0-6,0 MM2.	40/253 226 005	X
11	78 29 633	Boîtier contact Note: Area 1,5-2,5 MM2.	40/253 197 008, NLS	X
11	78 29 609	Cosse Note: Area 0,3-1,5 MM2.	40/253 168 009	X
12	78 29 641	Tubulure Note: Area 1,5-2,5 MM2.	40/253 196 000	X
13	85 93 089	Cosse Note: Area 0,5-1,0 MM2.	JOINT PIECE TRUNK LID	X
14	91 20 775	Cosse Note: Area 0,5-1,0 MM2.	RELAY HORN, RELAY REAR DEMIST, RELAY AC, AC DIOD, LIGHT CONTACT HOUSING 8533697	X
14	43 54 353	Cosse Note: Area 0,5-1,0 MM2.	CONTACT HOUSING 4176616	X
15	85 14 036	Cosse Note: Area 1,5-2,5 MM2.	EL-CENTRAL, EARTH CONTACT HOUSING 8516916	X
15	71 55 047	Cosse Note: Area 4,0-6,0 MM2.	EL-CENTRAL, NLS	X
15	71 55 716	Cosse Note: Area 0,4-1,0 MM2.	EL-CENTRAL, JOINT PIECE, DISTRIBUTOR TERMINAL, CIGARETTE LIGHTER, STOP LIGHT HIGH MOUNTED STOP LIGHT DOOR SWITCH, ALTERNATOR OIL MONITOR, CONTACT HOUSING 8533184	X
16	71 55 153	Cosse	CONTACT HOUSING 7155112, 8558538, NLS-USE 8522534	X
16	79 72 029	Cosse Note: Area 1,0-2,5 MM2.	CONTACT HOUSING 8533697, 9503251, NLS-USE 8522534	X
16	79 71 708	Cosse Note: Area 0,5-1,5 MM2.	CONTACT HOUSING 7155096, 7155112	X
16	79 68 068	Cosse Note: Area 4,0-6,0 MM2.	CONTACT HOUSING 9503251	X
17	79 69 256	Cosse Note: Area 4,0-6,0 MM2.	EL-CENTRAL, RELAY DISTRIBUTION TERMINAL	X
18	81 35 147	Cosse Note: Area 0,75-1,0 MM2.	CONTACT HOUSING 8135600	X

Rep.	N° de pièce	Article	Usage	Qté
19	85 22 583	Cosse Note: Area 0,8-3,4 MM2.	CONTACT HOUSING 8530099	X
20	85 93 964	Cosse Note: Area 0,5-1,5 MM2.	CONTACT HOUSING 8521718, 8593964	X
20	95 19 398	Cosse Note: Area 0,8-1,5 MM2.	CONTACT HOUSING 9519406	X
20	95 26 401	Cosse Note: Area 0,2-0,56 MM2.	CONTACT HOUSING 9529512	X
20	85 82 603	Cosse Note: Area 0,5-2,0 MM2.	CONTACT HOUSING 9525114	X
21	85 09 846	Cosse Note: Area 0,5-1,4 MM2.	CONTACT HOUSING 8378630, NLS-USE 8522575	X
21	85 30 107	Cosse Note: Area 0,5-1,5 MM2.	CONTACT HOUSING 8530115	X
22	85 14 028	Cosse Note: Area 0,3-0,8 MM2.	TEMP SENSOR, OIL PRESSURE SENSOR, ALTERNATOR, CONTACT HOUSING 8516916, NLS-USE 7155716	X
22	85 14 036	Cosse Note: Area 1,0-2,5 MM2.	GROUND, JOINT PIECE	X
23	85 21 593	Cosse Note: Area 0,5-1,5 MM2.	FAILUR SENSOR INTERVAL RELAY, CONTACT HOUSING, 8544371 8574097, 8574121, 8579930 8593899, 8593907, 8593915 8593931, 8593949, 9123381 9506650	X
23	91 20 783	Cosse Note: Area 1,0-2,5 MM2.	AC DIOD CONTACT HOUSING, 9124157, 9502048	X
23	91 20 791	Cosse Note: Area 2,5-4,0 MM2.	EL-CENTRAL, FAILUR SENSOR, RELAY AC, REAR DEMIST, TIME RELAY AC, RELAY DIM DIP RELAY BELT WARNING RELAY FOG LIGHT EXTRA GEAR INDICATOR, HORN PUMP RELAY ABS, RELAY MOTOR, MAIN RELAY ABS RELAY IGNITION LOCK RELAY FLASHER UNIT, RELAY INTERIOR LIGHT INTERVAL RELAY, MAIN RELAY, RELAY FUEL PUMP COOLING FAN, RELAY DAY DRIVING LIGHT CONTACT HOUSING, 4069274 4109427, 9122789, 9122797 9124090, 9124157, 9124165 9124173, 9125543, 9507658 9519422	X
23	40 61 586	Cosse Note: Area 1,0-2,5 MM2.	CONTACT HOUSING 4061479, 4113205, 4113601 4113809, 4114005, 4114021 4114039, 4176228, 4176249 4178422, 4178430, 4252944 4353637, 4432365	X
23	43 50 526	Cosse Note: Area 1,0-2,5 MM2.	CONTACT HOUSING 4113627	X
24	85 21 676	Cosse Note: Area 0,5-1,5 MM2.	SPOTLIGHT, LIGHT ASH TRAY, CONTACT HOUSING 8521692, NLS-USE 8522526	X
24	85 21 684	Cosse Note: Area 1,0-2,5 MM2.	CONTACT HOUSING 8521692, NLS-USE 8522526	X
24	85 82 421	Cosse Note: Area 0,5-1,5 MM2.	CONTACT HOUSING 8521692, NLS-USE 8522526	X

Rep.	N° de pièce	Article	Usage	Qté
24	95 59 469	Cosse Note: Area 1,0-2,5 MM2.	CONTACT HOUSING 9518416	X
24	85 22 526	Cosse Note: Area 0,5-1,5 MM2.	FOG LIGHT, LIGHT INSTEP, CONTACT HOUSING 9518416	X
25	85 33 028	Cosse Note: Area 0,5-1,5 MM2.	CONTACT HOUSING 8533184,	X
26	85 41 203	Cosse Note: Area 0,5-1,5 MM2.	NLS-USE 8582439 SPOTLIGHT, LIGHT INSTEP, BELT WARNING, CONTACT HOUSING 8541229 8544363, 8574949, 9507658, NLS-USE 8560476	X
27	85 60 476	Cosse Note: Area 0,9-2,0 MM2.	SWITCH INTERIOR LIGHT, LIGHT INSTEP, LIGHT GLOVE BOX CONTACT HOUSING 9507658	X
27	85 41 211	Cosse Note: Area 2,5-4,0 MM2.	CONTACT HOUSING 8544363	X
27	85 22 534	Cosse Note: Area 0,5-1,5 MM2.	LIGHT INSTEP CONTACT HOUSING 7155112	X
28	85 44 298	Cosse Note: Area 0,5-2,0 MM2.	CONTACT HOUSING, NLS-USE 8582595 8521700, 8564916	X
28	85 82 595	Cosse Note: Area 0,5-2,0 MM2.	JOINT PIECE CENTRAL LOCK	X
28	85 82 090	Cosse Note: Area 0,5-1,5 MM2.	CONTACT HOUSING 9503525	X
29	85 44 314	Cosse Note: Area 0,5-2,0 MM2.	CONTACT HOUSING 8521718, 8564924, 9525114, NLS-USE 8582603	X
30	85 69 139	Cosse	EL-CENTRAL, RELAY DISTRIBUTION TERMINAL	X
30	95 15 024	Cosse Note: Area 6,0-8,5 MM2.	FUSE BOX, RELAY DISTRIBUTION TERMINAL, EL- CENTRAL	X
30	85 88 188	Cosse Note: Area 6,0-10,0 MM2.	EL-CENTRAL	X
31	95 27 771	Cosse	CONTACT HOUSING, 9527755	X
32	85 82 413	Cosse	CONTACT HOUSING 7155021	X
33	85 87 552	Cosse Note: Area 0,5-1,5 MM2.	CONTACT HOUSING 8521700, 9525106	X
33	95 25 817	Cosse Note: Area 0,2-0,56 MM2.	CONTACT HOUSING 9529538	X
34	95 21 972	Cosse Note: Area 0,5-1,0 MM2.	RELAY GROUND SHEET	X
34	95 21 980	Cosse Note: Area 1,5-2,5 MM2.	RELAY GROUND SHEET, NLS-USE 30520556	X
35	40 63 970	Cosse Note: Area 0,5-1,0 MM2.	CONTACT HOUSING 4060869, 9565045	X
36	78 74 498	Connexion Note: Area 0,2-1,5 MM2.	CONTACT HOUSING 9503277, 9503316, 9503418 9503434, 9503475, 9506668 9519679	X
36	85 47 796	Bloc connexion Note: Area 0,2-2,5 MM2.	SIDE DIRECTION INDI CONTACT HOUSING, 9503277, 9503418, 9503475 9519679	X
36	85 47 804	Bloc connexion Note: Area 2,5-4,0 MM2.	CONTACT HOUSING 4114054	X
37	78 74 506	Connexion Note: Area 0,2-1,5 MM2.	CONTACT HOUSING 9501685, 9503426, 9506668	X
38	85 22 542	Cosse Note: Area 1,0-2,6 MM2.	CONTACT HOUSING 7155120	X
39	85 22 617	Cosse Note: Area 1,0-2,6 MM2.	AC	X
40	85 82 579	Cosse Note: Area 0,5-1,0 MM2.	JOINT PIECE	X

Rep.	N° de pièce	Article	Usage	Qté
41	95 08 706	Cosse Note: Area 0,75-1,5 MM2.	RELAY GROUND SHEET, NLS-USE 30520560	X
41	91 20 668	Cosse Note: Area 0,75-1,5 MM2.	BULB CONTROL INTERVAL RELAY, TIME RELAY AC, RELAY BELT WARNING, CONTACT HOUSING, 8579930, 8593899 8593907, 8593915, 8593931 8593949, 8597064, 9123381 9123548, 9123555, 9125519, NLS-USE 30520560 9519414, 9519455, 9564089 9566266, 9566282	X
41	91 20 957	Cosse Note: Area 1,0-2,5 MM2.	CONTACT HOUSING 4061503, 4109278, 4109500 4109518, 4113809, 4114021 4114633, 4175428, 4432365 9123381, 9123399, 9123548 9123555, 9503475, 9514803 9519414, 9525031, 9565045, NLS-USE 30520560	X
42	95 52 126	Cosse Note: Area 0,5-1,0 MM2.	CONTACT HOUSING 9122557, NLS-USE 9552100	X
43	95 52 175	Cosse	CONTACT HOUSING, 9552167	X
43	95 09 746	Cosse	CONTACT HOUSING, 9512930	X
45	41 15 077	Cosse Note: Area 1,0-2,5 MM2.	JOINT PIECE TRUNK LID, JOINT PIECE MAIN CABLE HARNESS, CONTACT HOUSING 4174264, NLS-USE 12789934	X
45	41 15 192	Cosse Note: Area 1,0-2,5 MM2.	FOR CONTACT HOUSING 4113262, 4113668, 4114062 4114070, 4114088	X
45	43 50 609	Cosse Note: Area 0,5-1,0 MM2.	CONTACT HOUSING 4113676, NLS-USE 4115192	X
46	41 15 580	Cosse Note: Area 1,0-2,5 MM2.	JOINT PIECE MAIN CABLE HARNESS, JOINT PIECE TRUNK LID CONTACT HOUSING, 4117560 4117669, 4117768	X
47	41 15 499	Cosse Note: Area 0,5-1,0 MM2.	CONTACT HOUSING 4224606, NLS-USE 12790414	X
48	44 18 505	Cosse Note: Area 0,5-1,0 MM2.	CONTACT HOUSING 4201224	X
49	71 55 203	Douille raccord Note: Area 0,3-1,5 MM2.	40/253 164 008	X
49	71 55 146	Douille raccord Note: Area 1,0-2,6 MM2.	40/253 188 007	X
49	71 55 633	Douille raccord Note: Area 2,7-6,6 MM2.	40/253 221 006	X
50	85 87 198	Joint câble Note: Area 0,5-0,75 MM2.		X
50	85 21 668	Joint câble Note: Area 0,8-2,1 MM2.		X



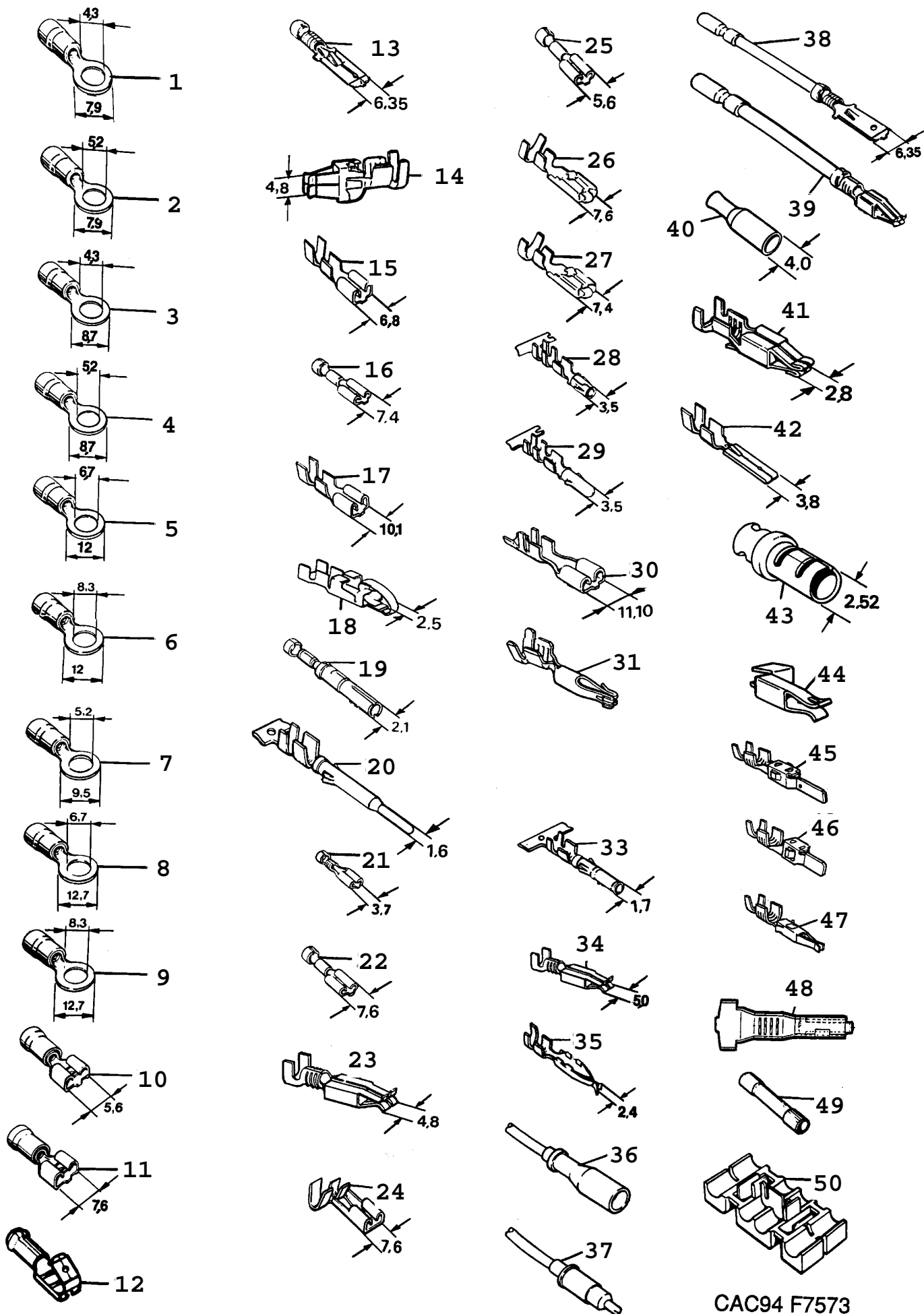
F6433 CAC94

Rep.	N° de pièce	Article	Usage	Qté
1	71 55 211	Cosse Note: Area 0,3-1,5 MM2.	40/253 152 003	X
2	71 55 229	Cosse Note: Area 0,3-1,5 MM2.	40/253 153 001	X
3	71 55 237	Cosse Note: Area 1,0-2,6 MM2.	40/253 172 001	X
4	71 17 880	Cosse Note: Area 1,0-2,6 MM2.	40/253 173 009	X
5	78 29 617	Cosse Note: Area 1,0-2,6 MM2.	40/253 174 007	X
6	79 59 349	Cosse Note: Area 1,0-2,6 MM2.		X
7	71 55 658	Cosse Note: Area 2,7-6,6 MM2.	40/253 210 009	X
8	78 29 666	Cosse Note: Area 2,7-6,6 MM2.	40/253 211 007	X
9	78 29 674	Cosse Note: Area 2,7-6,6 MM2.	40/253 212 005	X
9	79 77 556	Cosse Note: Area 1,0-2,5 MM2.	GROUND ABS	X
10	79 69 231	Cosse Note: Area 1,0-3,4 MM2.		X
11	78 29 625	Raccord Note: Area 1,5-2,5 MM2.	40/253 195 002, NLS	X
11	78 29 682	Cosse Note: Area 3,0-6,0 MM2.	40/253 226 005	X
11	78 29 633	Boîtier contact Note: Area 1,5-2,5 MM2.	40/253 197 008, NLS	X
11	78 29 609	Cosse Note: Area 0,3-1,5 MM2.	40/253 168 009	X
12	78 29 641	Tubulure Note: Area 1,5-2,5 MM2.	40/253 196 000	X
13	85 93 089	Cosse Note: Area 0,5-1,0 MM2.	JOINT PIECE TRUNK LID	X
14	91 20 775	Cosse Note: Area 0,5-1,0 MM2.	RELAY HORN, RELAY REAR DEMIST, RELAY AC, AC DIOD, LIGHT CONTACT HOUSING 8533697	X
14	43 54 353	Cosse Note: Area 0,5-1,0 MM2.	CONTACT HOUSING 4176616, 4176624	X
14	44 64 343	Cosse Note: Area 4,0-6,0 MM2.	EL-CENTRAL	X
15	85 14 036	Cosse Note: Area 1,5-2,5 MM2.	EL-CENTRAL, GROUND	X
15	71 55 716	Cosse Note: Area 0,4-1,0 MM2.	EL-CENTRAL, JOINT PIECE, DISTRIBUTOR TERMINAL, DOOR SWITCH HIGH MOUNTED STOP LIGHT OIL MONITOR, CONTACT HOUSING 8533184	X
16	71 55 153	Cosse	CONTACT HOUSING 7155112, 8558538, NLS-USE 8522534	X
16	79 72 029	Cosse Note: Area 1,0-2,5 MM2.	CONTACT HOUSING 8533697, 9503251, NLS-USE 8522534	X
16	79 71 708	Cosse Note: Area 0,5-1,5 MM2.	CONTACT HOUSING 7155096, 7155112	X
16	79 68 068	Cosse Note: Area 4,0-6,0 MM2.	CONTACT HOUSING 9503251	X
17	79 69 256	Cosse Note: Area 4,0-6,0 MM2.	RELAY DISTRIBUTION TERMINAL	X
18	81 35 147	Cosse Note: Area 0,75-1,0 MM2.	CONTACT HOUSING 8135600	X
19	85 22 583	Cosse Note: Area 0,8-3,4 MM2.	CONTACT HOUSING 8530099	X

Rep.	N° de pièce	Article	Usage	Qté
20	85 93 964	Cosse Note: Area 0,5-1,5 MM2.	CONTACT HOUSING 8593964	X
20	95 19 398	Cosse Note: Area 0,8-1,5 MM2.	CONTACT HOUSING 4224895	X
20	95 26 401	Cosse Note: Area 0,2-0,56 MM2.	CONTACT HOUSING 9529512	X
20	85 82 603	Cosse Note: Area 0,5-2,0 MM2.	CONTACT HOUSING 9525114	X
21	85 09 846	Cosse Note: Area 0,5-1,4 MM2.	CONTACT HOUSING 8378630, NLS-USE 8522575	X
21	85 30 107	Cosse Note: Area 0,5-1,5 MM2.	CONTACT HOUSING 8530115	X
22	85 14 028	Cosse Note: Area 0,3-0,8 MM2.	TEMP SENSOR, OIL PRESSURE SENSOR, ALTERNATOR, CONTACT HOUSING 8516916, NLS-USE 7155716	X
22	85 14 036	Cosse Note: Area 1,0-2,5 MM2.	GROUND, JOINT PIECE	X
23	85 21 593	Cosse Note: Area 0,5-1,5 MM2.	FAILUR SENSOR INTERVAL RELAY, CONTACT HOUSING, 8544371 8574097, 8574121, 8579930 8593899, 8593907, 8593915 8593931, 8593949, 9123381 9506650	X
23	91 20 783	Cosse Note: Area 1,0-2,5 MM2.	AC DIOD CONTACT HOUSING, 9124157, 9502048	X
23	91 20 791	Cosse Note: Area 2,5-4,0 MM2.	EL-CENTRAL, FAILUR SENSOR, RELAY AC, REAR DEMIST, TIME RELAY AC, RELAY DIM DIP RELAY BELT WARNING RELAY FOG LIGHT EXTRA GEAR INDICATOR, HORN PUMP RELAY ABS, RELAY MOTOR, MAIN RELAY ABS RELAY IGNITION LOCK RELAY FLASHER UNIT, RELAY INTERIOR LIGHT INTERVAL RELAY, MAIN RELAY, RELAY FUEL PUMP COOLING FAN, RELAY DAY DRIVING LIGHT CONTACT HOUSING, 4069274 4109427, 9122789, 9122797 9124090, 9124157, 9124165 9124173, 9125543, 9507658 9519422	X
23	40 61 586	Cosse Note: Area 1,0-2,5 MM2.	CONTACT HOUSING 4061479, 4113205, 4113807 4114005, 4114021, 4114039 4176249, 4176624, 4178422 4178430, 4252944, 4353637 4432357, 4432365, 4433439 4489647	X
23	43 50 526	Cosse Note: Area 1,0-2,5 MM2.	CONTACT HOUSING 4113627, 4354833	X
24	85 21 676	Cosse Note: Area 0,5-1,5 MM2.	SPOTLIGHT, LIGHT ASH TRAY, CONTACT HOUSING 8521692, NLS-USE 8522526	X
24	85 21 684	Cosse Note: Area 1,0-2,5 MM2.	CONTACT HOUSING 8521692, NLS-USE 8522526	X
24	85 82 421	Cosse Note: Area 0,5-1,5 MM2.	CONTACT HOUSING 8521692, NLS-USE 8522526	X
24	85 22 526	Cosse Note: Area 0,5-1,5 MM2.	SPOT LIGHT CONTACT HOUSING 8521692	X

Rep.	N° de pièce	Article	Usage	Qté
25	85 33 028	Cosse Note: Area 0,5-1,5 MM2.	CONTACT HOUSING 8533184, NLS-USE 8582439	X
26	85 41 203	Cosse Note: Area 0,5-1,5 MM2.	SPOTLIGHT, LIGHT INSTEP, BELT WARNING, CONTACT HOUSING 8541229 8544363, 8574949, 9507658, NLS-USE 8560476	X
27	85 60 476	Cosse Note: Area 0,9-2,0 MM2.	SWITCH INTERIOR LIGHT, LIGHT INSTEP, CONTACT HOUSING 9507658	X
27	85 41 211	Cosse Note: Area 2,5-4,0 MM2.	CONTACT HOUSING 8544363	X
27	85 22 534	Cosse Note: Area 0,5-1,5 MM2.	LIGHT INSTEP CONTACT HOUSING 7155112	X
28	85 82 595	Cosse Note: Area 0,5-2,0 MM2.	JOINT PIECE CENTRAL LOCK	X
28	85 82 090	Cosse Note: Area 0,5-1,5 MM2.	CONTACT HOUSING	X
29	85 44 314	Cosse Note: Area 0,5-2,0 MM2.	9503525 CONTACT HOUSING 8521718, 8564924, 9525114, NLS-USE 8582603	X
30	85 69 139	Cosse	RELAY DISTRIBUTION TERMINAL	X
30	95 15 024	Cosse Note: Area 6,0-8,5 MM2.	FUSE BOX, RELAY DISTRIBUTION TERMINAL, EL- CENTRAL	X
31	95 27 771	Cosse	CONTACT HOUSING, 9527755	X
33	85 87 552	Cosse Note: Area 0,5-1,5 MM2.	CONTACT HOUSING 9525106	X
33	95 25 817	Cosse Note: Area 0,2-0,56 MM2.	CONTACT HOUSING 9529538	X
34	95 21 972	Cosse Note: Area 0,5-1,0 MM2.	RELAY GROUND SHEET	X
34	95 21 980	Cosse Note: Area 1,5-2,5 MM2.	RELAY GROUND SHEET, NLS-USE 30520556	X
35	40 63 970	Cosse Note: Area 0,5-1,0 MM2.	CONTACT HOUSING 4060869, 9565045	X
36	78 74 498	Connexion Note: Area 0,2-1,5 MM2.	CONTACT HOUSING 9503277, 9503316, 9503418 9503434, 9503475, 9506668 9519679	X
36	85 47 796	Bloc connexion Note: Area 0,2-2,5 MM2.	SIDE DIRECTION INDI CONTACT HOUSING, 9503277, 9503418, 9503475 9519679	X
37	78 74 506	Connexion Note: Area 0,2-1,5 MM2.	CONTACT HOUSING 9501685, 9503426, 9506668	X
38	85 22 542	Cosse Note: Area 1,0-2,6 MM2.	CONTACT HOUSING 7155120	X
39	85 22 617	Cosse Note: Area 1,0-2,6 MM2.	AC	X
40	85 82 579	Cosse Note: Area 0,5-1,0 MM2.	JOINT PIECE	X
41	95 08 706	Cosse Note: Area 0,75-1,5 MM2.	RELAY GROUND SHEET, NLS-USE 30520560	X
41	91 20 668	Cosse Note: Area 0,75-1,5 MM2.	BULB CONTROL INTERVAL RELAY, TIME RELAY AC, RELAY BELT WARNING, CONTACT HOUSING, 8579930, 8593899 8593907, 8593915, 8593931 8593949, 8597064, 9123381 9123548, 9123555, 9125519, NLS-USE 30520560 9519414, 9519455, 9564089 9566266, 9566282	X

Rep.	N° de pièce	Article	Usage	Qté
41	91 20 957	Cosse Note: Area 1,0-2,5 MM2.	CONTACT HOUSING 4061503, 4109500, 4109518 4114005, 4114021, 4114633 4175428, 4201323, 4432365 4203659, 4411518, 4517629 9123381, 9123399, 9123548 9123555, 9503475, 9519414 9525031, 9565045, NLS-USE 30520560	X
42	95 52 126	Cosse Note: Area 0,5-1,0 MM2.	CONTACT HOUSING 9122557, NLS-USE 9552100	X
43	95 52 175	Cosse	CONTACT HOUSING, 9552167	X
43	95 09 746	Cosse	CONTACT HOUSING, 9512930	X
45	41 15 077	Cosse Note: Area 1,0-2,5 MM2.	JOINT PIECE TRUNK LID, CONTACT HOUSING 4174264, NLS-USE 12789934	X
45	41 15 192	Cosse Note: Area 1,0-2,5 MM2.	CONTACT HOUSING 4113668, 4114062, 4114070 4115054, 4354692	X
45	41 15 457	Cosse Note: Area 0,5-1,0 MM2.	CONTACT HOUSING 4410510, NLS-USE 4692612	X
46	41 15 580	Cosse Note: Area 1,0-2,5 MM2.	JOINT PIECE TRUNK LID, CONTACT HOUSING 4117560, 4117669, 4117768	X
46	41 15 077	Cosse Note: Area 1,0-2,5 MM2.	CONTACT HOUSING 4410510, NLS-USE 12789934	X
47	41 15 499	Cosse Note: Area 0,5-1,0 MM2.	CONTACT HOUSING 4113007, 4411518, NLS-USE 12790414	X
48	44 18 505	Cosse Note: Area 0,5-1,0 MM2.	CONTACT HOUSING 4201224, 4203550	X
49	71 55 203	Douille raccord Note: Area 0,3-1,5 MM2.	40/253 164 008	X
49	71 55 146	Douille raccord Note: Area 1,0-2,6 MM2.	40/253 188 007	X
49	71 55 633	Douille raccord Note: Area 2,7-6,6 MM2.	40/253 221 006	X
50	85 87 198	Joint câble Note: Area 0,5-0,75 MM2.		X
50	85 21 668	Joint câble Note: Area 0,8-2,1 MM2.		X



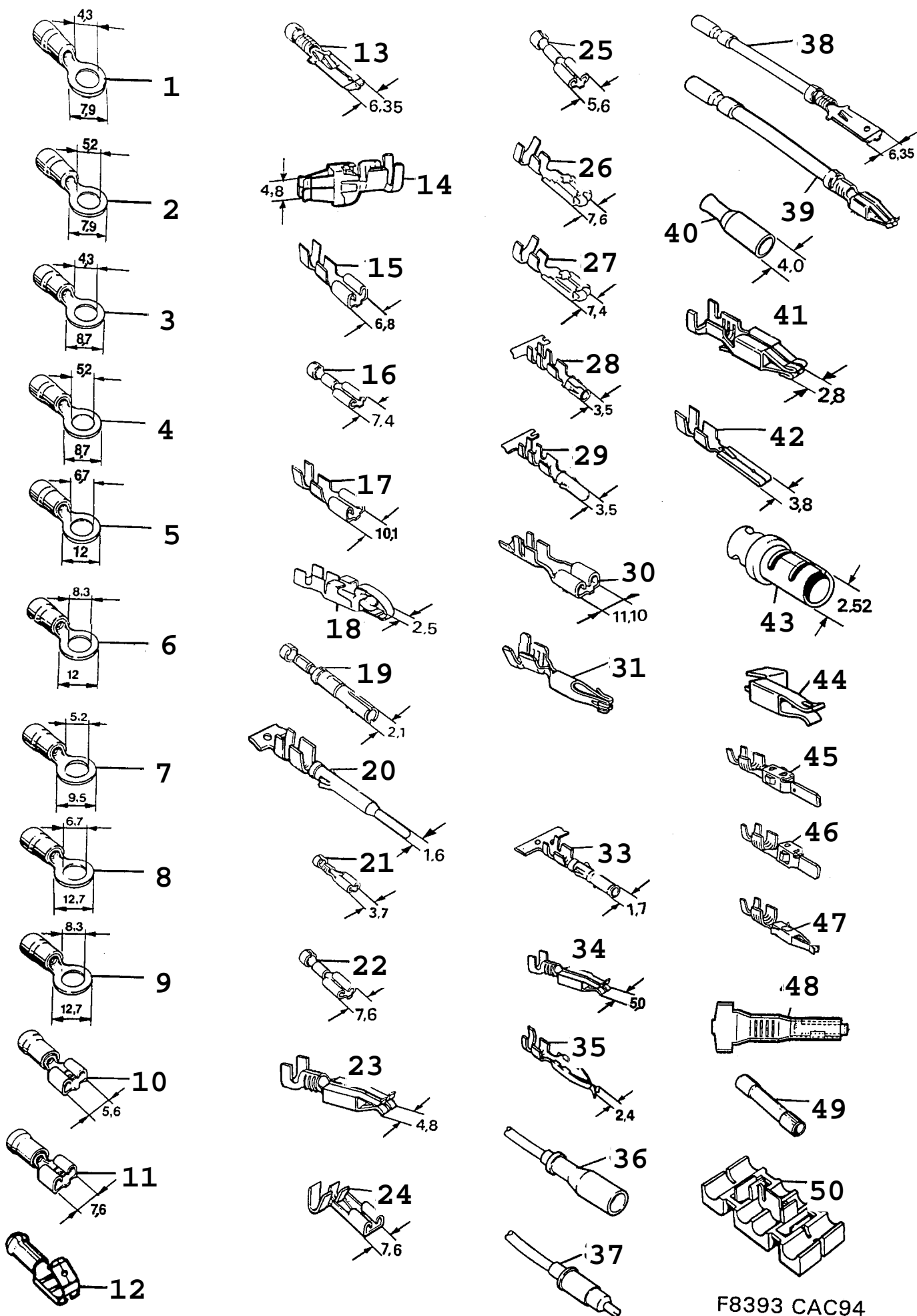
CAC94 F7573

Rep.	N° de pièce	Article	Usage	Qté
1	71 55 211	Cosse Note: Area 0,3-1,5 MM2.	40/253 152 003	X
2	71 55 229	Cosse Note: Area 0,3-1,5 MM2.	40/253 153 001	X
3	71 55 237	Cosse Note: Area 1,0-2,6 MM2.	40/253 172 001	X
4	71 17 880	Cosse Note: Area 1,0-2,6 MM2.	40/253 173 009	X
5	78 29 617	Cosse Note: Area 1,0-2,6 MM2.	40/253 174 007	X
6	79 59 349	Cosse Note: Area 1,0-2,6 MM2.		X
7	71 55 658	Cosse Note: Area 2,7-6,6 MM2.	40/253 210 009	X
8	78 29 666	Cosse Note: Area 2,7-6,6 MM2.	40/253 211 007	X
9	78 29 674	Cosse Note: Area 2,7-6,6 MM2.	40/253 212 005	X
9	79 77 556	Cosse Note: Area 1,0-2,5 MM2.	GROUND ABS	X
10	79 69 231	Cosse Note: Area 1,0-3,4 MM2.		X
11	78 29 625	Raccord Note: Area 1,5-2,5 MM2.	40/253 195 002, NLS	X
11	78 29 682	Cosse Note: Area 3,0-6,0 MM2.	40/253 226 005	X
11	78 29 633	Boîtier contact Note: Area 1,5-2,5 MM2.	40/253 197 008, NLS	X
11	78 29 609	Cosse Note: Area 0,3-1,5 MM2.	40/253 168 009	X
12	78 29 641	Tubulure Note: Area 1,5-2,5 MM2.	40/253 196 000	X
13	85 93 089	Cosse Note: Area 0,5-1,0 MM2.	JOINT PIECE TRUNK LID	X
13	71 55 062	Cosse Note: Area 0,8-2,5 MM2.	EL-CENTRAL, NLS-USE 8522542	X
14	91 20 775	Cosse Note: Area 0,5-1,0 MM2.	RELAY HORN, RELAY REAR DEMIST, RELAY AC, AC DIOD, LIGHT CONTACT HOUSING 8533697	X
14	43 54 353	Cosse Note: Area 0,5-1,0 MM2.	CONTACT HOUSING 4176616, 4176624	X
14	44 64 343	Cosse Note: Area 4,0-6,0 MM2.	EL-CENTRAL	X
15	85 14 036	Cosse Note: Area 1,5-2,5 MM2.	EL-CENTRAL, GROUND	X
15	71 55 716	Cosse Note: Area 0,4-1,0 MM2.	EL-CENTRAL, JOINT PIECE, DISTRIBUTOR TERMINAL, DOOR SWITCH HIGH MOUNTED STOP LIGHT OIL MONITOR, CIGARETTE LIGHTER, STOP LIGHT CONTACT HOUSING 8533184	X
16	71 55 153	Cosse	CONTACT HOUSING 7155112, 8558538, NLS-USE 8522534	X
16	79 72 029	Cosse Note: Area 1,0-2,5 MM2.	CONTACT HOUSING 8533697, 9503251, NLS-USE 8522534	X
16	79 71 708	Cosse Note: Area 0,5-1,5 MM2.	CONTACT HOUSING 7155096, 7155112	X
16	79 68 068	Cosse Note: Area 4,0-6,0 MM2.	CONTACT HOUSING 9503251	X
17	79 69 256	Cosse Note: Area 4,0-6,0 MM2.	RELAY DISTRIBUTION TERMINAL	X

Rep.	N° de pièce	Article	Usage	Qté
17	44 09 801	Cosse Note: Area 0,5-1,0 MM2.	CONTACT HOUSING 8516916	X
18	81 35 147	Cosse Note: Area 0,75-1,0 MM2.	CONTACT HOUSING 8135600	X
18	81 38 679	Cosse Note: Area 1,5-2,5 MM2.	CONTACT HOUSING 8135600	X
19	85 22 583	Cosse Note: Area 0,8-3,4 MM2.	CONTACT HOUSING 8530099	X
20	85 93 964	Cosse Note: Area 0,5-1,5 MM2.	CONTACT HOUSING 8593964	X
20	95 19 398	Cosse Note: Area 0,8-1,5 MM2.	CONTACT HOUSING 4224895	X
20	95 26 401	Cosse Note: Area 0,2-0,56 MM2.	CONTACT HOUSING 9529512	X
20	85 82 603	Cosse Note: Area 0,5-2,0 MM2.	CONTACT HOUSING 9525114	X
21	85 09 846	Cosse Note: Area 0,5-1,4 MM2.	CONTACT HOUSING 8378630, NLS-USE 8522575	X
21	85 30 107	Cosse Note: Area 0,5-1,5 MM2.	CONTACT HOUSING 8530115	X
22	85 14 028	Cosse Note: Area 0,3-0,8 MM2.	TEMP SENSOR, OIL, NLS-USE 7155716 PRESSURE SENSOR, ALTERNATOR, CONTACT HOUSING 8516916	X
22	85 14 036	Cosse Note: Area 1,0-2,5 MM2.	GROUND, JOINT PIECE	X
23	85 21 593	Cosse Note: Area 0,5-1,5 MM2.	FAILUR SENSOR INTERVAL RELAY, CONTACT HOUSING, 8544371 8574097, 8574121, 8579930 8593899, 8593907, 8593915 8593931, 8593949, 9123381 9506650	X
23	91 20 783	Cosse Note: Area 1,0-2,5 MM2.	AC DIOD CONTACT HOUSING, 9124157, 9502048	X
23	91 20 791	Cosse Note: Area 2,5-4,0 MM2.	EL-CENTRAL, FAILUR SENSOR, RELAY AC, REAR DEMIST, TIME RELAY AC, RELAY DIM DIP RELAY BELT WARNING RELAY FOG LIGHT EXTRA GEAR INDICATOR, HORN PUMP RELAY ABS, RELAY MOTOR, MAIN RELAY ABS RELAY IGNITION LOCK RELAY FLASHER UNIT, RELAY INTERIOR LIGHT INTERVAL RELAY, MAIN RELAY, RELAY FUEL PUMP COOLING FAN, RELAY DAY DRIVING LIGHT CONTACT HOUSING, 4069274 4109427, 9122789, 9122797 9124090, 9124157, 9124165 9124173, 9125543, 9507658	X
23	40 61 586	Cosse Note: Area 1,0-2,5 MM2.	CONTACT HOUSING 4113205, 4113807, 4113601 4114005, 4114021, 4114039 4176249, 4176624, 4178422 4178430, 4352944, 4353637 4353637, 4432365, 4668588 4668596, 4668604	X
23	43 50 526	Cosse Note: Area 1,0-2,5 MM2.	CONTACT HOUSING 4113205, 4113601, 4113627 4432316, 4432357	X

Rep.	N° de pièce	Article	Usage	Qté
24	85 21 676	Cosse Note: Area 0,5-1,5 MM2.	SPOTLIGHT, LIGHT ASH TRAY, CONTACT HOUSING 8521692, NLS-USE 8522526	X
24	85 21 684	Cosse Note: Area 1,0-2,5 MM2.	CONTACT HOUSING 8521692, NLS-USE 8522526	X
24	85 82 421	Cosse Note: Area 0,5-1,5 MM2.	CONTACT HOUSING 8521692, NLS-USE 8522526	X
24	85 22 526	Cosse Note: Area 0,5-1,5 MM2.	SPOT LIGHT CONTACT HOUSING 8521692	X
25	85 33 028	Cosse Note: Area 0,5-1,5 MM2.	CONTACT HOUSING 8533184, NLS-USE 8582439	X
26	85 41 203	Cosse Note: Area 0,5-1,5 MM2.	SPOTLIGHT, LIGHT INSTEP, BELT WARNING, CONTACT HOUSING 8541229 8544363, 8574949, 9507658, NLS-USE 8560476	X
27	85 60 476	Cosse Note: Area 0,9-2,0 MM2.	SWITCH INTERIOR LIGHT, LIGHT INSTEP, LIGHT GLOVE BOX CONTACT HOUSING 9507658	X
27	85 41 211	Cosse Note: Area 2,5-4,0 MM2.	CONTACT HOUSING 8544363	X
28	85 82 595	Cosse Note: Area 0,5-2,0 MM2.	JOINT PIECE CENTRAL	X
28	85 82 090	Cosse Note: Area 0,5-1,5 MM2.	LOCK CONTACT HOUSING 9503525	X
29	85 44 314	Cosse Note: Area 0,5-2,0 MM2.	CONTACT HOUSING 8521718, 8564924, 9525114, NLS-USE 8582603	X
30	85 69 139	Cosse	RELAY DISTRIBUTION TERMINAL	X
30	95 15 024	Cosse Note: Area 6,0-8,5 MM2.	FUSE BOX, RELAY DISTRIBUTION TERMINAL, EL- CENTRAL	X
31	95 27 771	Cosse	CONTACT HOUSING, 9527755	X
33	85 87 552	Cosse Note: Area 0,5-1,5 MM2.	CONTACT HOUSING 9525106	X
33	95 25 817	Cosse Note: Area 0,2-0,56 MM2.	CONTACT HOUSING 9529538	X
34	95 21 972	Cosse Note: Area 0,5-1,0 MM2.	RELAY GROUND SHEET	X
34	95 21 980	Cosse Note: Area 1,5-2,5 MM2.	RELAY GROUND SHEET, NLS-USE 30520556	X
35	40 63 970	Cosse Note: Area 0,5-1,0 MM2.	CONTACT HOUSING 4060869, 9565045	X
36	78 74 498	Connexion Note: Area 0,2-1,5 MM2.	CONTACT HOUSING 9503277, 9503316, 9503418 9503434, 9503475, 9506668 9519679	X
36	85 47 796	Bloc connexion Note: Area 0,2-2,5 MM2.	SIDE DIRECTION INDI CONTACT HOUSING, 9503277, 9503418, 9503475 9519679	X
37	78 74 506	Connexion Note: Area 0,2-1,5 MM2.	CONTACT HOUSING 9501685, 9503426, 9506668	X
38	85 22 542	Cosse Note: Area 1,0-2,6 MM2.	CONTACT HOUSING 7155120	X
39	85 22 617	Cosse Note: Area 1,0-2,6 MM2.	AC	X
40	85 82 579	Cosse Note: Area 0,5-1,0 MM2.	JOINT PIECE	X
41	95 08 706	Cosse Note: Area 0,75-1,5 MM2.	RELAY GROUND SHEET, NLS-USE 30520560	X

Rep.	N° de pièce	Article	Usage	Qté
41	91 20 668	Cosse Note: Area 0,75-1,5 MM2.	BULB CONTROL INTERVAL RELAY, TIME RELAY AC, RELAY BELT WARNING, CONTACT HOUSING, 8579930, 8593899 8593907, 8593915, 8593931 8593949, 8597064, 9123381 9123548, 9123555, 9125519, NLS-USE 30520560 9519414, 9519455, 9564089 9566266, 9566282	X
41	91 20 957	Cosse Note: Area 1,0-2,5 MM2.	CONTACT HOUSING 4061503, 4109500, 4109518 4114005, 4114021, 4176186 4222451, 4411518, 4434031 4517629, 4537429, 9123381 9123399, 9123548, 9123555 9503475, 9525031, 9565045, NLS-USE 30520560	X
42	95 52 126	Cosse Note: Area 0,5-1,0 MM2.	CONTACT HOUSING 9122557, NLS-USE 9552100	X
43	95 52 175	Cosse	CONTACT HOUSING 9552167	X
43	95 09 746	Cosse	CONTACT HOUSING 9512930	X
45	41 15 077	Cosse Note: Area 1,0-2,5 MM2.	JOINT PIECE TRUNK LID, CONTACT HOUSING 4174264, NLS-USE 12789934	X
45	41 15 192	Cosse Note: Area 1,0-2,5 MM2.	CONTACT HOUSING 4113668, 4114062, 4114070 4115054, 4354692	X
45	41 15 457	Cosse Note: Area 0,5-1,0 MM2.	CONTACT HOUSING 4410510, NLS-USE 4692612	X
45	41 15 283	Cosse Note: Area 1,0-2,5 MM2.	CONTACT HOUSING 4174264	X
46	41 15 580	Cosse Note: Area 1,0-2,5 MM2.	JOINT PIECE TRUNK LID, JOINT PIECE MAIN CABLE HARNESS CONTACT HOUSING 4117669, 4117768	X
46	41 15 077	Cosse Note: Area 1,0-2,5 MM2.	CONTACT HOUSING 4117164, 4117263, , NLS-USE 12789934	X
47	41 15 499	Cosse Note: Area 0,5-1,0 MM2.	CONTACT HOUSING 4113007, 4411518, NLS-USE 12790414	X
47	44 66 801	Cosse Note: Area 0,5-1,0 MM2.	CONTACT HOUSING 4224606	X
48	44 18 505	Cosse Note: Area 0,5-1,0 MM2.	CONTACT HOUSING 4201224, 4203550	X
49	71 55 203	Douille raccord Note: Area 0,3-1,5 MM2.	40/253 164 008	X
49	71 55 146	Douille raccord Note: Area 1,0-2,6 MM2.	40/253 188 007	X
49	71 55 633	Douille raccord Note: Area 2,7-6,6 MM2.	40/253 221 006	X
50	85 87 198	Joint câble Note: Area 0,5-0,75 MM2.		X
50	85 21 668	Joint câble Note: Area 0,8-2,1 MM2.		X



F8393 CAC94

Rep.	N° de pièce	Article	Usage	Qté
1	71 55 211	Cosse Note: Area 0,3-1,5 MM2.	40/253 152 003	X
2	71 55 229	Cosse Note: Area 0,3-1,5 MM2.	40/253 153 001	X
3	71 55 237	Cosse Note: Area 1,0-2,6 MM2.	40/253 172 001	X
4	71 17 880	Cosse Note: Area 1,0-2,6 MM2.	40/253 173 009	X
5	78 29 617	Cosse Note: Area 1,0-2,6 MM2.	40/253 174 007	X
6	79 59 349	Cosse Note: Area 1,0-2,6 MM2.		X
7	71 55 658	Cosse Note: Area 2,7-6,6 MM2.	40/253 210 009	X
8	78 29 666	Cosse Note: Area 2,7-6,6 MM2.	40/253 211 007	X
9	78 29 674	Cosse Note: Area 2,7-6,6 MM2.	40/253 212 005	X
9	79 77 556	Cosse Note: Area 1,0-2,5 MM2.	GROUND ABS	X
10	79 69 231	Cosse Note: Area 1,0-3,4 MM2.		X
11	78 29 625	Raccord Note: Area 1,5-2,5 MM2.	40/253 195 002, NLS	X
11	78 29 682	Cosse Note: Area 3,0-6,0 MM2.	40/253 226 005	X
11	78 29 633	Boîtier contact Note: Area 1,5-2,5 MM2.	40/253 197 008, NLS	X
11	78 29 609	Cosse Note: Area 0,3-1,5 MM2.	40/253 168 009	X
12	78 29 641	Tubulure Note: Area 1,5-2,5 MM2.	40/253 196 000	X
13	85 93 089	Cosse Note: Area 0,5-1,0 MM2.	JOINT PIECE TRUNK LID	X
13	71 55 062	Cosse Note: Area 0,8-2,5 MM2.	EL-CENTRAL, NLS-USE 8522542	X
14	91 20 775	Cosse Note: Area 0,5-1,0 MM2.	RELAY HORN, RELAY REAR DEMIST, RELAY AC, AC DIOD, LIGHT CONTACT HOUSING 8533697	X
14	43 54 353	Cosse Note: Area 0,5-1,0 MM2.	CONTACT HOUSING 4176616, 4176624	X
14	44 64 343	Cosse Note: Area 4,0-6,0 MM2.	EL-CENTRAL	X
15	85 14 036	Cosse Note: Area 1,5-2,5 MM2.	EL-CENTRAL, GROUND	X
15	71 55 716	Cosse Note: Area 0,4-1,0 MM2.	EL-CENTRAL, JOINT PIECE, DISTRIBUTOR TERMINAL, DOOR SWITCH HIGH MOUNTED STOP LIGHT OIL MONITOR, CIGARETTE LIGHTER, STOP LIGHT CONTACT HOUSING 8533184	X
16	71 55 153	Cosse	CONTACT HOUSING 7155112, 8558538, NLS-USE 8522534	X
16	79 72 029	Cosse Note: Area 1,0-2,5 MM2.	CONTACT HOUSING 8533697, 9503251, NLS-USE 8522534	X
16	79 71 708	Cosse Note: Area 0,5-1,5 MM2.	CONTACT HOUSING 7155096, 7155112	X
16	79 68 068	Cosse Note: Area 4,0-6,0 MM2.	CONTACT HOUSING 9503251	X
17	79 69 256	Cosse Note: Area 4,0-6,0 MM2.	RELAY DISTRIBUTION TERMINAL	X

Rep.	N° de pièce	Article	Usage	Qté
17	44 09 801	Cosse Note: Area 0,5-1,0 MM2.	CIGARETTE LIGHTER CONTACT HOUSING 8516916	X
18	81 35 147	Cosse Note: Area 0,75-1,0 MM2.	CONTACT HOUSING 8135600	X
18	81 38 679	Cosse Note: Area 1,5-2,5 MM2.	CONTACT HOUSING 8135600	X
19	85 22 583	Cosse Note: Area 0,8-3,4 MM2.	CONTACT HOUSING 8530099	X
20	85 93 964	Cosse Note: Area 0,5-1,5 MM2.	CONTACT HOUSING 8593964	X
20	95 26 401	Cosse Note: Area 0,2-0,56 MM2.	CONTACT HOUSING 9529512	X
20	85 82 603	Cosse Note: Area 0,5-2,0 MM2.	CONTACT HOUSING 9525114	X
21	85 09 846	Cosse Note: Area 0,5-1,4 MM2.	CONTACT HOUSING 8378630, NLS-USE 8522575	X
21	85 30 107	Cosse Note: Area 0,5-1,5 MM2.	CONTACT HOUSING 8530115	X
22	85 14 028	Cosse Note: Area 0,3-0,8 MM2.	TEMP SENSOR, OIL PRESSURE SENSOR, ALTERNATOR, CONTACT HOUSING 8516916, NLS-USE 7155716	X
22	85 14 036	Cosse Note: Area 1,0-2,5 MM2.	GROUND, JOINT	X
23	85 21 593	Cosse Note: Area 0,5-1,5 MM2.	PIECE FAILUR SENSOR INTERVAL RELAY, CONTACT HOUSING, 8544371 8574097, 8574121, 8579930 8593899, 8593907, 8593915 8593931, 8593949, 9123381 9506650	X
23	91 20 783	Cosse Note: Area 1,0-2,5 MM2.	AC DIOD CONTACT HOUSING 9124157 9502048	X
23	91 20 791	Cosse Note: Area 2,5-4,0 MM2.	EL-CENTRAL, FAILUR SENSOR, RELAY AC, REAR DEMIST, TIME RELAY AC, RELAY DIM DIP RELAY BELT WARNING RELAY FOG LIGHT EXTRA GEAR INDICATOR, HORN PUMP RELAY ABS, RELAY MOTOR, MAIN RELAY ABS RELAY IGNITION LOCK RELAY FLASHER UNIT, RELAY INTERIOR LIGHT INTERVAL RELAY, MAIN RELAY, RELAY FUEL PUMP COOLING FAN, RELAY DAY DRIVING LIGHT CONTACT HOUSING, 4069274 4109427, 4224317, 9122789 9122797, 9124090, 9124157 9124165, 9124173, 9125543 9507658	X
23	40 61 586	Cosse Note: Area 1,0-2,5 MM2.	CONTACT HOUSING 4113205, 4113601, 4113635 4113643, 4114005, 4114021 4114039, 4176249, 4176624 4178422, 4178430, 4352944 4353637, 4432365, 4433439 4668588, 4668596, 4668604 4669743	X
23	43 50 526	Cosse Note: Area 1,0-2,5 MM2.	CONTACT HOUSING 4113205, 4113601, 4113627 4113643, 4432316	X

Rep.	N° de pièce	Article	Usage	Qté
24	85 21 676	Cosse Note: Area 0,5-1,5 MM2.	SPOTLIGHT, LIGHT ASH TRAY, CONTACT HOUSING 8521692, NLS-USE 8522526	X
24	85 21 684	Cosse Note: Area 1,0-2,5 MM2.	CONTACT HOUSING 8521692, NLS-USE 8522526	X
24	85 82 421	Cosse Note: Area 0,5-1,5 MM2.	CONTACT HOUSING HOUSING 8521692, NLS-USE 8522526	X
24	85 22 526	Cosse Note: Area 0,5-1,5 MM2.	SPOT LIGHT CONTACT HOUSING 8521692	X
25	85 33 028	Cosse Note: Area 0,5-1,5 MM2.	CONTACT HOUSING 8533184, NLS-USE 8582439	X
26	85 41 203	Cosse Note: Area 0,5-1,5 MM2.	SPOTLIGHT, LIGHT INSTEP, BELT WARNING, CONTACT HOUSING 8541229 8544363, 8574949, 9507658, NLS-USE 8560476	X
27	85 60 476	Cosse Note: Area 0,9-2,0 MM2.	SWITCH INTERIOR LIGHT, LIGHT INSTEP, LIGHT GLOVE BOX CONTACT HOUSING 9507658	X
27	85 41 211	Cosse Note: Area 2,5-4,0 MM2.	CONTACT HOUSING 8544363	X
28	85 82 595	Cosse Note: Area 0,5-2,0 MM2.	JOINT PIECE CENTRAL LOCK	X
28	85 82 090	Cosse Note: Area 0,5-1,5 MM2.	CONTACT HOUSING 9503525	X
29	85 44 314	Cosse Note: Area 0,5-2,0 MM2.	CONTACT HOUSING 8521718, 8564924, 9525114, NLS-USE 8582603	X
30	85 69 139	Cosse	RELAY DISTRIBUTION TERMINAL	X
30	95 15 024	Cosse Note: Area 6,0-8,5 MM2.	FUSE BOX, RELAY DISTRIBUTION TERMINAL, EL- CENTRAL	X
31	95 27 771	Cosse	CONTACT HOUSING 9527755	X
33	85 87 552	Cosse Note: Area 0,5-1,5 MM2.	CONTACT HOUSING 9525106	X
33	95 25 817	Cosse Note: Area 0,2-0,56 MM2.	CONTACT HOUSING 9529538	X
34	95 21 972	Cosse Note: Area 0,5-1,0 MM2.	RELAY GROUND SHEET	X
34	95 21 980	Cosse Note: Area 1,5-2,5 MM2.	RELAY GROUND SHEET, NLS-USE 30520556	X
35	40 63 970	Cosse Note: Area 0,5-1,0 MM2.	CONTACT HOUSING 4060869, 4222451, 9565045	X
36	78 74 498	Connexion Note: Area 0,2-1,5 MM2.	CONTACT HOUSING 9503277, 9503316, 9503418 9503434, 9503475, 9506668 9519679	X
36	85 47 796	Bloc connexion Note: Area 0,2-2,5 MM2.	SIDE DIRECTION INDI CONTACT HOUSING, 9503277, 9503418, 9503475 9519679	X
36	85 47 804	Bloc connexion Note: Area 2,5-4,0 MM2.	CONTACT HOUSING 4693156	X
37	78 74 506	Connexion Note: Area 0,2-1,5 MM2.	CONTACT HOUSING 9501685, 9503426, 9506668	X
38	85 22 542	Cosse Note: Area 1,0-2,6 MM2.	CONTACT HOUSING 7155120	X
39	85 22 617	Cosse Note: Area 1,0-2,6 MM2.	AC	X
40	85 82 579	Cosse Note: Area 0,5-1,0 MM2.	JOINT PIECE	X
41	95 08 706	Cosse Note: Area 0,75-1,5 MM2.	RELAY GROUND SHEET, NLS-USE 30520560	X

Rep.	N° de pièce	Article	Usage	Qté
41	91 20 668	Cosse Note: Area 0,75-1,5 MM2.	BULB CONTROL INTERVAL RELAY, TIME RELAY AC, RELAY BELT WARNING, CONTACT HOUSING, 8579930, 8593899 8593907, 8593915, 8593931 8593949, 8597064, 9123381 9123548, 9123555, 9125519, NLS-USE 30520560 9519414, 9519455, 9564089 9566266, 9566282	X
41	91 20 957	Cosse Note: Area 1,0-2,5 MM2.	CONTACT HOUSING 4061503, 4109500, 4109518 4114005, 4114021, 4176186 4222451, 4411518, 4434031 4517629, 4537429, 9123381 9123399, 9123548, 9123555 9503475, 9525031, 9565045, NLS-USE 30520560	X
42	95 52 126	Cosse Note: Area 0,5-1,0 MM2.	CONTACT HOUSING 9122557, NLS-USE 9552100	X
43	95 52 175	Cosse	CONTACT HOUSING 9552167	X
43	95 09 746	Cosse	CONTACT HOUSING 9512930	X
45	41 15 077	Cosse Note: Area 1,0-2,5 MM2.	JOINT PIECE TRUNK LID, CONTACT HOUSING 4174264, NLS-USE 12789934	X
45	41 15 192	Cosse Note: Area 1,0-2,5 MM2.	CONTACT HOUSING 4113668, 4114062, 4114070 4115054, 4174868, 4354692	X
45	41 15 457	Cosse Note: Area 0,5-1,0 MM2.	CONTACT HOUSING 4410510, NLS-USE 4692612	X
45	41 15 283	Cosse Note: Area 1,0-2,5 MM2.	CONTACT HOUSING 4174264	X
46	41 15 580	Cosse Note: Area 1,0-2,5 MM2.	JOINT PIECE TRUNK LID, JOINT PIECE MAIN CABLE HARNESS CONTACT HOUSING 4117669, 4117768	X
46	41 15 077	Cosse Note: Area 1,0-2,5 MM2.	CONTACT HOUSING 4117164, 4117263, , NLS-USE 12789934	X
47	41 15 499	Cosse Note: Area 0,5-1,0 MM2.	CONTACT HOUSING 4113007, 4411518, NLS-USE 12790414	X
47	44 66 801	Cosse Note: Area 0,5-1,0 MM2.	CONTACT HOUSING 4224606	X
48	44 18 505	Cosse Note: Area 0,5-1,0 MM2.	CONTACT HOUSING 4201224, 4203360, 4203378 4203550	X
49	71 55 203	Douille raccord Note: Area 0,3-1,5 MM2.	40/253 164 008	X
49	71 55 146	Douille raccord Note: Area 1,0-2,6 MM2.	40/253 188 007	X
49	71 55 633	Douille raccord Note: Area 2,7-6,6 MM2.	40/253 221 006	X
50	85 87 198	Joint câble Note: Area 0,5-0,75 MM2.		X
50	85 21 668	Joint câble Note: Area 0,8-2,1 MM2.		X